

**GO TO
INDEX**

PLEASE NOTE:

**YOU MUST
ADD 11%
SURCHARGE
TO PRICES
AS OF
8/4/21**



WHOLEGOODS »»»»» 2022 ««««« PRICING

PRICES EFFECTIVE DECEMBER 1, 2021

Tractor Implements • Compact Drills • No-Till Seeders

Revised 2/14/22

(888) 987-7433
Wholegoods: Ext. 1989
Parts: Ext. 1992
Service: Ext. 1994



See Pg. 3 for Discounts

3rd Function Valve Kits

3rd Function Valve Kits 176

All-Flex Mowers

AFM42/45 Series 9
AFM30 Series 10

All Purpose Seeders

APS15 Series 90

Arena Graders

AG15 Arena Graders 100

Bale Spears

BS10/BSE10/BS20/BSE20 Series 159
BS30/BSE30/BS40/BSE40 Series 160
BS50/BSE50 Series 161
BSR10/20/30/40 Series 162

Blades

RB05/RB15/RB16 Series 101
RB26/RB37 Series 102
RBT35 Series - 3-Way Hydraulic 103
RBT40 Series - 3-Way Hydraulic 104
RBT45 Series - 3-Way Hydraulic 105
RBT55 Series - 3-Way Hydraulic 106
RBT60 Series - 3-Way Hyd. - Heavy Duty 107
Accessories 108

Box Scrapers

BB05 Series 112
BB12 Series 113
BB15 Series 114
BB25 Series 115
BB35 Series 116
MR15 Series 117
HR25 Series 118
HR35/HRL35 Series 119

Compact Drills

3P500/3P600 Min-Till 83
3P606NT 3-Point No-Till 84
606NT Pull-Type No-Till 85
800 End Wheel Min-Till 86
3P806NT/3P1006NT Semi-Mount No-Till 87
706NT/1006NT No-Till 88

Core Aerators

CA05 Series 124
CA15 Series 125
CA25 Series 126

Disc Harrows

DH10 Series 128
DH15 Series 129
DH25 Series 130
DH3510 - Pull-Type 131
DH3512 - Pull-Type 132
DH7100 Series - Pull-Type **NEW** 133

Ditchers

DT35 Series 134
DT55 Series 135

Drag Harrows

DRG Series 98

Drag Scrapers

BB45 Series 123

Fertilizer Spreaders

PTS Series Pull-Type 94
PFS Series Pendulum 95
FSP Series Broadcast 96

Field Cultivators

FC10 & FC15 Series 137

Flail Mowers

FM25 Series 11
OFM26 Series Offset Flail Mowers **NEW** 12
OFM36 Series Offset Flail Mowers **NEW** 13

Food Plot Seeder

FPS48 Series 99

Grading Scrapers

GS05 Series 120
GS15 Series 121
GS25 Series 122

Grapples & Buckets

BG/BGE2400 Series Bale Grabber 164
SGC05 Series Claw 165
CB05 Series Combination Buckets 166
CB10 Series Combination Buckets 167
SGC06 Series Claw 168
SGC10 Series Claw 169
SGC15 Series Claw 170
SSB15 Series Skeleton 171
SGS15 Series Skeleton 172
GB25/GBE25 Series Grapple Buckets 173
GB20 Series Grapple Buckets 174
GBE30 Series Grapple Buckets **NEW** 175

Grooming Mowers

FDR16 Series 6
FDR25 Series 7
FDR36 Series 8

Hydraulic Reservoir System

HRS30 Series Hydraulic Reservoir System 178

Landscape Rakes

LR05/LR16 Series 109
LR26/LR37 Series 110
Accessories 111

Moldboard Plows

MP10 & MP20 Series 138

No-Till Seeders

NTS26 Series 89

Overseeders

OS15 Series 91

Pallet Forks

PF10 & PF20 Series 155
PFL12/PFL20 Series Pallet Forks 156
PFL30/PFLE45 Series Pallet Forks 157
PFLE55/PFL(E)64 Series Pallet Forks 158

Pasture Aerators

AR25 Series - 8' & 10' Pull-Type 139

Post Hole Diggers

PD10/PD15/PD25/PD35 Series 140
HD25/HD35 Series-Hydraulic Drive 141
SA10 Series Hydraulic Driven **NEW** 142
SA20 Series Hydraulic Driven 143
Accessories 144

Powered Rakes

PR16 Series 145

Primary Seeders

PS15 Series 93

Quick-Hitches

QH05 Cat. 1 Series 150
QH10/QH15 Cat. 1 Series 150
QH20 Cat. 2 / QH30 Cat. 3 Series 151

Ripper Shanks

RS15 & RS20 Series 136

Rotary Cutters

RCR12 Series - Utility Duty 14
RCR15 Series - Utility Duty 15
RCR18 Series - Utility Duty 16
RCR1884 - Utility Duty 17
RCF20 Series - Utility Duty - Smooth Top 19
RCR26 Series - Medium Duty 20
RCF27 Series - Medium Duty 21
RCF36 Series - Heavy Duty 22
RCF3684 - Heavy Duty 23
RCD18 Series - Dual Spindle Offset 24
RCR25 Series - 8' Medium Duty 25
RCR25 Series - 10' Medium Duty 26
RCF30 Series - 8' Medium Duty 27
RCF(M)30 Series - 10' Medium Duty 28
RCF(M)36 Series - 8' Heavy Duty 29
RCF(M)36 Series - 10' Heavy Duty 30
RCFM40 Series - 14' Extra Heavy Duty 31
RC2512 - 12' Medium Duty Smooth Top 32
RC3712 - 12' Heavy Duty Smooth Top 33
RCG3712 - 12' Heavy Duty Galvanized 35
RC2515 - 15' Medium Duty Smooth Top 37
RC3715 - 15' Medium Duty Smooth Top 38
RCG3715 - 15' Medium Duty Galvanized 40
RC3620 - 20' Medium Duty 42
RC3614 - 14' Medium Duty Offset 44
RC(M)4710 - 10' Heavy Duty 46
RC(M)4715 - 15' Heavy Duty 48
RC4620 - 20' Heavy Duty Smooth Top 50
RC4614 - 14' Heavy Duty Smooth Top 52
RC(M)5710 - 10' Heavy Duty 54
RCB(M)5710 - 10' Heavy Duty 56

RC(M)5715 - 15' Heavy Duty.....	58
RCB(M)5715 - 15' Heavy Duty.....	60
RC5014-2 - 14' Heavy Duty Offset	62
RC5020-2 - 20' Heavy Duty	64
Axle Options	66
Wing Fold Options	68
Hitch Options	69
Blade Carrier Options	70
RCP2760 - Hydraulic Parallel Arm	72
RCP3760 - Hydraulic Parallel Arm	73
DB(M)2660 - Ditch Bank Cutter	74

Rotary Tillers

RTR05 Series Reverse-Till.....	75
RGR12 Reverse/RGA12 Forward Series.....	76
RTR12 Reverse/RTA12 Forward Series	77
RTR15 Series Reverse-Till	78
RTR20 Reverse / RTA20 Forward Series	79
RTA25 Series Forward-Till	80
RTR25 Series Reverse-Till.....	81
RTA35 Series Forward-Till.....	82

Scarifiers

SF25 Series.....	111
------------------	-----

Seed Bed Roller

SBR Series.....	97
-----------------	----

Snow Tools

SB10 Series Snow Blowers.....	179
SB15/SB25 Series Snow Blowers	180
SBD35 Series Snow Blowers	181
STB05 Series Snow Trip Blades NEW	182
STB10 Series Snow Trip Blades.....	183
STB15 Series Snow Trip Blades	184
SPL05 Series Loader Mount Snow Pushers ..	185
SPL10 Series Loader Mount Snow Pushers ..	186
SSP25 Series Snow Pushers	187

Soil Pulverizers

SP20 Series	146
SP30 Series	147

Spike Tooth Harrows

STH15 Series.....	148
STH20 Series.....	149

Straw Crimper

CR25 Series.....	127
------------------	-----

Stump Grinder

GR15 Series Stump Grinder.....	152
--------------------------------	-----

Weight Boxes

WB10 Weight Box NEW	163
----------------------------------	------------

Wood Chippers

WC1503 Series	153
WC1504 Series	154

Freight Charts

US & Canada.....	189
------------------	-----



Sourcewell Contract 070821-LP1, Roadway Maintenance Equipment

Compact Drills / No-Till Seeders.....	17% off List Price
Wide Area Mowers (AFM Series)	25% off List Price
Folding Rotary Cutters.....	32% off List Price
RC40, 46, 56, & 66 Series and	
RC3620/14, RC4620/14 & RC5020/14 Models	
All other Land Pride products	25% off List Price

SHIPPING LOCATION

All Purpose Seeders	Abilene
All-Flex Mowers	Abilene
Bale Spears	Abilene
Blades	Abilene
Box Scrapers.....	Abilene
Combination Buckets	Abilene
Compact Drills	Salina
Core Aerators	Abilene
Disc Harrows: 10/25 Series	Lucas
35 Series	Lucas
Ditchers	Abilene
Drag Harrows	Abilene
Drag Scrapers	Lucas
Fertilizer Spreaders	Abilene
Field Cultivators	Lucas
Flail Mowers	Abilene
Food Plot Seeder	Lucas
Grading Scrapers	Abilene
Grapples	Lucas
Grooming Mowers	Abilene
Hydraulic Reservoir System	Lucas
Landscape Rakes	Abilene
Moldboard Plows.....	Abilene

Overseeders	Abilene
Pallet Forks	Abilene
Pasture Aerators	Lucas
Post Hole Diggers	Abilene
Powered Rakes	Abilene
Primary Seeders	Abilene
Quick-Hitches	Abilene
Ripper Shanks.....	Abilene
Rotary Cutters: Single Spindle, RCD1884	Abilene
84" Single Spindles,	
& All Others	Lucas
Rotary Tillers	Abilene
Scarifiers	Abilene
Seed Bed Roller	Abilene
Snow Blowers	Abilene
Snow Trip Blades.....	Abilene
Snow Pushers	Abilene
Soil Pulverizers	Abilene
Spike Tooth Harrows: 15 Series	Abilene
20 Series	Lucas
Straw Crimper	Abilene
Wood Chippers	Abilene

QUICK HITCH SYSTEMS

Land Pride Quick Hitch Systems, available in a Cat. 1, Cat. 2 or Cat. 3 Tractor 3-Point Hitch, fit most Land Pride products and are a real time saver when working on multiple projects. Some products may require bushings. Look for the Quick Hitch Systems logo to denote applicable products.



COLOR OPTIONS

Color options are available on some products which are designated throughout this pricebook. Keep in mind that some products are built in batches and various lead times need to be considered.

COMPACT DRILL

These products are sold under different programs and a different freight chart. See Terms & Policies for details.

HORSEPOWER RANGE

Horsepower Range given on all products is a guide. Varied conditions and tractor performance must be considered.

All-Flex Mowers		Pallet Forks10 Minutes
AFM30111 Hour	Pasture Aerators15 Minutes
AFM4230 Minutes	Post Hole Diggers1 Hour
AFM45222 Hours 30 Minutes	Powered Rakes30 Minutes
Arena Grader		Ripper Shanks30 Minutes
AG1530 Minutes	Rotary Cutters
Bale Grabber15 Minutes		RCR12/15/1830 Minutes
Bale Spears30 Minutes		RCR261 Hour
Blades		RCF20/27/3630 Minutes
RB05/15/16/2630 Minutes	RCD1830 Minutes
RB371 Hour	RCR2596/RCR25101 Hour 30 Minutes
RBT35/40/45/55/602 Hours	RC251240 Minutes
Box Scrapers		RC3712/RC37152 Hours 30 Minutes
BB05/12/15/25/3530 Minutes	RC47152 Hours 30 Minutes
HR25/HR35/HRL3530 Minutes	RC572 Hours 30 Minutes
MR15/MRL3530 Minutes	RC5014/RC50202 Hours 30 Minutes
Compact Drills		RC3614/RC36202 Hours 30 Minutes
3P5001 Hour	RC4614/202 Hours 30 Minutes
3P6001 Hour	RCP2660/RCP30602 Hours
800 End-Wheel2 Hours	RCP2760/37602 hours
3P606NT1 Hour	Rotary Tillers
3P806NT1 Hour	RGA/RGR1230 Minutes
3P1006NT1 Hour	RTR05/12/1530 Minutes
606NT2 Hours	RTA12/1530 Minutes
706NT/1006NT2 Hours	RTA20/RTR2030 Minutes
Core Aerators		RTA25/RTA3530 Minutes
CA051 Hour 30 Minutes	RTR251 Hour
CA15/2530 Minutes	Scarifier30 Minutes
Crimpers30 Minutes		Seed Bed Rollers30 Minutes
Disc Harrows		Seeders
DH10/1530 Minutes	APS1530 Minutes
DH252 HoursSmall Seed Box 1 Hour 30 Minutes
DH355 Hours	FPS481 Hour
DH710016 Hours	PFS/PTS30 Minutes
Ditchers		FSP500/700/10001 Hours
DT3530 Minutes	NTS26 3-PointNo Set-up Needed
DT5530 Minutes	NTS26 Pull-Type1 Hour
Drag Harrows15 Minutes		OS1548/722 Hours
Drag Scrapers30 Minutes		PS1530 Minutes
Flail Mowers30 Minutes		Snow Blowers
Fertilizer Spreaders		SB10/15/251 Hour
FSP1 Hour	Soil Pulverizers15 Minutes
PFS30 Minutes	Snow Pushers30 Minutes
PTS40 Minutes	Snow Trip Blade
Field Cultivators		STB1030 Minutes
FC10/1530 Minutes	STB1545 Minutes
Grading Scrapers30 Minutes		Spike Tooth Harrows
Grapples30 Minutes		STH1515 Minutes to uncrate
CB15 Minutes	STH2030 Minutes
Grooming Mowers30 Minutes		Stump Grinders
Hitches		GR151 Hour 30 Minutes
QH05/QH10/QH15(0 minutes)	Wood Chippers
QH20/QH305 minutes	WC1545 Minutes
Hydraulic Reservoir Systems		
HRS18/23/3015 Minutes	
Landscape Rakes30 Minutes		
Moldboard Plows1 Hour		

* Does not include fit-up to Tractor or Skid Steer. Times based on being unfamiliar with set-up.

FDR16 Series Grooming Mowers

RETURN TO INDEX

15-40 HP



Made in USA
 Hitch: Cat. 1
 Lower Hitch: Floating
 Top Link: Floating
 Deck Thickness: 3/16"
 Gearbox: 540 rpm
 Cast Iron Housing, Beveled Gears
 Spring Loaded Idler
 Single B-Section Belt
 Gauge Wheels: 3 1/4" x 10" Solid Rubber
 Height Adjustment: 48: 3/4" - 5 1/4", 60/72: 3/4" - 5 1/4"
 1/2" Increment, Plated Spacers,
 1" Stress Proof® Caster Wheel Spindle
 Blade Spindle: 1 3/8", Cast Iron Greasable Hubs
 Blade Thickness: 1/4" Medium Lift - Hardened, Fusion® Edge
 Blade Overlap: 1 1/4"
 Blade Tip Speed: 16,203 - 18,130 fpm
 Driveline: Heavy Duty with Quick Coupler, Cat. 2
60" & 72" Fit Land Pride Quick-Hitch

Grooming Mowers

YOU MUST ADD 11% SURCHARGE TO PRICES AS OF 8/4/21

temporarily suspended

MODEL NUMBER	DESCRIPTION	APPROX. MACHINE WEIGHT	SHIPPING WEIGHT	LIST PRICE
FDR1648-13	48" FLAT DECK - REAR DISCHARGE 4 Solid Rubber Tires	545#	600#	\$ 2,946
FDR1660-13-31	60" FLAT DECK - REAR DISCHARGE 4 Solid Rubber Tires, STD Hitch	685#	740#	\$ 3,118
FDR1660-13-32	60" FLAT DECK - REAR DISCHARGE 4 Solid Rubber Tires, K-Hitch Interface	744#	799	\$ 3,886
FDR1672-13-31	72" FLAT DECK - REAR DISCHARGE 4 Solid Rubber Tires, STD Hitch	743#	824#	\$ 3,389

FDR16 ----- ADDITIONAL SAVINGS -----FDR16

When 5 same color and width units are ordered at one time DEDUCT \$79 LIST ON EACH MOWER
 ADD option No. -99 to Model Number and Deduct \$ (79)

ADD OPTION

NUMBER	COLOR OPTIONS (No Option=Buckskin)
-82	Orange - 5 Pak and Single Units Available

ACCESSORIES available through the Parts Department:

315-516S	Front Roller Assembly - 4" x 5.5"	5#	5#	\$ 84
890-700C	Mulching Blades - 48" - 3 ea. required			\$ 37
890-702C	Mulching Blades - 60" - 3 ea. required			\$ 37
890-698C	Mulching Blades - 72" - 3 ea. required			\$ 37
320-052A	QH05/10 Floating Toplink			\$ 16
320-013A	QH15 Floating Toplink			\$ 33

FDR25 Series Grooming Mowers

RETURN TO INDEX

15-60 HP



Grooming Mowers



Made in USA
 Hitch: Cat. 1
 Lower Hitch: Floating & Adjustable
 Clevis Type with Plated Pins
 Top Link: Floating & Adjustable
 Welded Tubular Chassis
 Deck Thickness: 3/16"
 Gearbox: 540 rpm
 Cast Iron Housing
 Beveled Gears
 Single B-Section Belt
 Spring Loaded Idler
 Gauge Wheels: 3 3/4" x 10" Solid Rubber Tires w/Bearings
 FDR2584: 4" x 11" Semi-Solid Tires
 Height Adjustment: 3/4" - 5 1/4" in 1/2" Increments
 Plated Spacers, 1" Stress Proof® Caster Wheel Spindle
 Blade Spindle: 1 3/8", Cast Iron Greaseable Hubs
 Blade Thickness: 1/4" (5/16" on 84")
 Medium Lift - Hardened
 Blade Overlap: 1 1/4"
 Blade Tip Speed (fpm);
 72: 18,130, 84: 17,210
 Heavy Duty Driveline with Quick Coupler
 Fits Land Pride Quick-Hitch

YOU MUST ADD 11% SURCHARGE TO PRICES AS OF 8/4/21

MODEL NUMBER	DESCRIPTION	APPROX. MACHINE WEIGHT	SHIPPING WEIGHT	LIST PRICE
	25 SERIES - REAR DISCHARGE - 72"			
FDR2572-13-31	4 Solid Rubber Tires, STD Hitch	826#	889#	\$ 4,446
FDR2572-14-31	4 Solid Rubber Tires and Front Roller, STD Hitch	834#	897#	\$ 4,591
	25 SERIES - REAR DISCHARGE - 84"			
FDR2584-13-31	4 Semi-Solid Tires & Bearings, STD Hitch	923#	989#	\$ 5,144
FDR2584-14-31	4 Semi-Solid Tires with Bearings and Front Roller, STD Hitch	931#	997#	\$ 5,287

ADD OPTION NUMBER	COLOR OPTION (No Option=Buckskin)
-82	Orange

ACCESSORIES Available through the Parts Department				
310-254S	Front Roller - 4" x 10" for 72 & 84	8#	8#	\$ 150
890-698C	Mulching Blades - 72" - 3 ea. required			\$ 37
890-706C	Mulching Blades - 84" - 3 ea. required			\$ 37
320-052A	QH05/10 Floating Toplink			\$ 16
320-013A	QH15 Floating Toplink			\$ 33

FDR36 Series Grooming Mowers

RETURN TO INDEX

30-70 HP



Grooming Mowers



Made in USA
 Hitch: Cat. 1
 Lower Hitch: Floating Clevis with Plated Pins
 Top Link: Floating Clevis
 Gearbox: 540 rpm
 Cast Iron Housing
 Beveled Gears
 Deck Thickness: 3/16"
 Spring Loaded Idler
 Double V Powerband Belt
 Gauge Wheels: 5" x 13" Semi-Solid Tires w/bearings
 Height Adjustment: 1" - 6.5", 1/4" Increments, Plated Spacers
 1 1/4" Castered Wheel Spindle
 Blade Spindle: 1 3/8" Stress-Proof Shaft
 Deck Spindle Housing: Cast Iron Greasable Hubs
 Blades: 6 Free-Swinging, 1/4" Medium Lift, Hardened, 2 per Spindle
 Blade Overlap: 2"
 Blade Tip Speed: 16,500 fpm
 Driveline: Heavy Duty with Quick Coupler, Cat. 4
 Fits Land Pride Quick-Hitch

YOU MUST ADD 11% SURCHARGE TO PRICES AS OF 8/4/21

MODEL NUMBER	DESCRIPTION	APPROX. MACHINE WEIGHT	SHIPPING WEIGHT	LIST PRICE
	90" FLAT DECK - REAR DISCHARGE			
FDR3690-13	4 Semi-Solid Tires	967#	1,009#	\$ 7,002
FDR3690-14	4 Semi-Solid Tires and Front Roller	973#	1,015#	\$ 7,140
ADD OPTION				
NUMBER	COLOR OPTION (No Option=Buckskin)			
-82	Orange			
ACCESSORIES available through the Parts Department:				
310-444S	Front Roller Package for FDR3690 (4" x 10" Roller)	6#	6#	\$ 138
826-064C	Longer Driveline (may be required for Use with Land Pride Quick Hitch)	50#	50#	\$ 379
320-152A	QH05/10 Floating Toplink			\$ 16
320-013A	QH15 Floating Toplink			\$ 33

AFM42/45 Series All-Flex Mowers

RETURN TO INDEX

AFM4211: 30-65 HP • AFM4214/16: 40-70 HP • AFM45: 65-100 HP



Grooming Mowers

Hitch: Pull Type, Adjustable Clevis Hitch & Safety Tow Chain
 Tongue Screw Jack: 2200# Capacity
 Discharge: Rear
 Gearbox: 540 RPM, 3 Wing, 1 Splitter
 Spring Loaded Idler with Overcenter Release
 Automatic Transport Locks with Pull Rope Release
 Deck Cylinders: Dual Acting
 Hydraulic Outlets Required: 1 Set
 Deck Flotation:
 Individual Front to Rear and Side to Side
 Input Driveline: Cat. 4 CV w/Slip-clutch
 Wing Drivelines: Cat. 3
 Blades - Fusion® edge
 Safety Lights are Standard

Model No.	AFM4211	AFM4214	AFM4216	AFM4522
Cutting Width	11'1"	14'	16'8"	21'9"
Overall Width	11'3 1/2"	14'3"	16'10"	22'
Transport Width	7'8"	7'11"	8'5"	9'6"
Transport Length	10'11"	12'11"	13'4"	15'2"
Decks: 3 each	48"	60"	72"	90"
Deck Thickness	3/16"	3/16"	3/16"	3/16"
Deck Overlap	6"	6"	8"	4-1/2"
Height Adjustment	1"-5 1/2" in 1/4" incr.	3/4" - 5 1/4" in 1/4" incr.	3/4" - 5 1/4" in 1/4" incr.	3/4" - 5 1/4" in 1/4" incr.
Blade Bearings	Sealed Ball Bearings	Sealed Ball Bearings	Sealed Ball Bearings	Sealed Ball Bearings
Blade Tip Speed	16,020 fpm	18,396 fpm	18,340 fpm	18,498 fpm
Blade Overlap	1 3/16"	1 1/4"	1 1/4"	2-1/4"
Drive Train	B-Section V Belt	B-Section V Belt	B-Section V Belt	1 C-Section
Input Driveline	Cat. 3 CV w/Slip-clutch	Cat. 4 CV w/Slip-clutch	Cat. 4 CV w/Slip-clutch	Cat. 4 CV
Deck Driveline	Cat. 3	Cat. 3	Cat. 3	Cat. 3 w/ Slip-clutch
Deck Tires - 10 ea., Air	13 x 5, Sealant	18 x 9.5, Sealant or 15 x 6.6	18 x 9.5, Sealant or 15 x 6.6	18 x 9.5, Sealant
Transport Tires	18 x 9.5, Sealant	23 x 10.5, Sealant	23 x 10.5, Sealant	P27560SR
Anti-Scalp Roller	Front Center and Outside Deck Corners	Front Center and Outside Deck Corners	Front Center and Outside Deck Corners	Front Center of Each Deck
Mowing Cap. @ 2 mph	2.68 acres	3.39 acres	4.0 acres	5.27 acres
@ 4 mph	5.37 acres	6.78 acres	8.1 acres	10.54 acres
@ 6 mph	8.10 acres	10.17 acres	12.1 acres	15.82 acres
Wing Flex - Degrees	23 L-R, 22 F-B	23 L-R, 22 F-B	23 L-R, 22 F-B	23 L-R, 22 F-B
Center Deck Flex - Degrees	13 F-B	10 L-R, 22 F-B	10 L-R, 22 F-B	10 L-R, 22 F-B

YOU MUST ADD 11% SURCHARGE TO PRICES AS OF 8/4/21

MODEL NUMBER	DESCRIPTION	MACHINE WEIGHT	SHIPPING WEIGHT	LIST PRICE
AFM4211-31	42 SERIES ALL-FLEX MOWER - 11'1" width	2425#	2425#	\$ 20,533
AFM4214-1531	42 SERIES ALL-FLEX MOWER - 14' width with 15" Deck Tires	2745#	2745#	\$ 21,613
AFM4216-1531	42 SERIES ALL-FLEX MOWER - 16'8" width with 15" Deck Tires	3285#	3285#	\$ 24,207
	Options for 14' and 16'			
-18	For 18" Deck tires - delete 15 and add -18	50#	50#	\$ 1,255
AFM4522*	45 SERIES ALL-FLEX MOWER - 21'9" width (assembly required)	4150#	4150#	\$ 36,632
	Mulching Kits Available through the Parts Department			
	FOR ALL AFMS			
ADD OPTION NUMBER				
-55	Hydraulic Wing Unlock (315-722A) (No extra hydraulic outlet required on AMF4211, AFM4214, AFM4216) (Extra hydraulic required on AFM4522)	35#	35#	\$ 543
	COLOR OPTIONS (No Option=Buckskin)			
-82	Orange			

Orange Available. Buckskin temporarily suspended

NOTE: Hydraulic Wing Unlock is Dealer installed option. Allow 2 hours for installation.

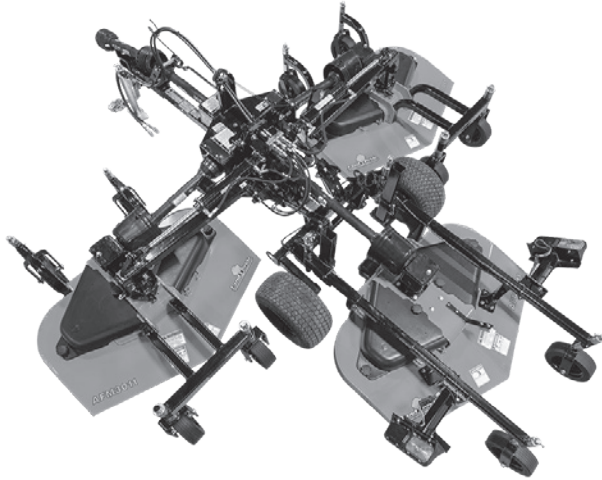
* 2 Year Gearbox Warranty

AFM3011 All-Flex Estate Mower

RETURN TO INDEX

30-55 HP

Grooming Mowers



Hitch: Pull Type, Adjustable Clevis Hitch & Safety Tow Chain
 Cutting Width: 11'1"
 Overall Width: 11' 31-1/2"
 Transport Width: 7'8"
 Transport Length: 10'11"
 Decks: 3 each 48"
 Deck Thickness: 10 Gauge
 Deck Overlap: 6"
 Height Adjustment: Spacers, 1"-5-1/2" in 1/2" increments
 Blade Tip Speed: 16,020 fpm
 Blade Overlap: 13/16"
 Drive: B-Section V Belt
 Input Driveline: Cat. 3 Equal Angle
 Deck Driveline: Cat. 3 w/Shearbolt Protection
 Deck Tires: 10 ea., 10x3.25 Solid Rubber
 Transport Tires: 18 x 9.5
 Discharge: Rear
 Gearbox: 540 RPM, 3 Wing, 1 Splitter
 Spring Loaded Idler
 Automatic Transport Locks with Pull Rope Release
 or Optional Hydraulic Release
 Deck Cylinders: Dual Acting
 Hydraulic Outlets Required: 1 Set
 Blades - Fusion® edge

YOU MUST ADD 11% SURCHARGE TO PRICES AS OF 8/4/21

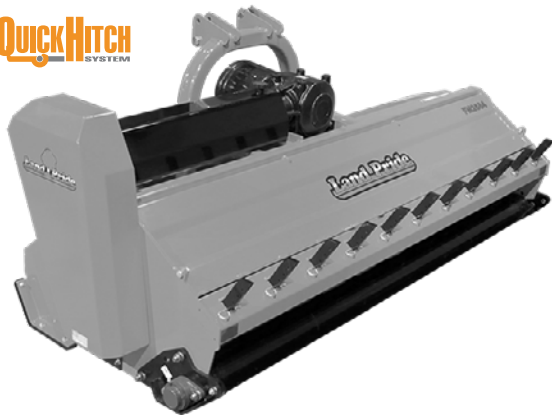
MODEL NUMBER	DESCRIPTION	MACHINE WEIGHT	SHIPPING WEIGHT	LIST PRICE
AFM3011	30 SERIES ALL-FLEX ESTATE MOWER - 11' width	1,956#	1,956#	\$ 16,511
	<u>You MAY Choose These Options</u>			
-55	Hydraulic Wing Unlock (315-732A) (No extra hydraulic outlet required)	33#	33#	\$ 543
	<u>Color Options (No Option=Buckskin)</u>			
-82	Orange			N/C
	<u>Accessories</u>			
315-799A	Hitch Assembly for B3350	16#	16#	\$ 110

temporarily suspended

FM25 Series Flail Mowers

RETURN TO INDEX

30-80 HP



Working Width (Overall Width): 48" (60"); 60" (72");
72" (84"); 84" (96");
Cat 1 Hitch 48" and 60"; Cat. 1 & 2 Hitch 72" and 84"
Dual Hitch: Center, 8" Offset Right 48" and 60";
Center, 10" Offset Right 72" and 84"

Gearbox: 540 RPM, 80 HP
Cutting Height: 0" - 6"
Cutting Capacity:
Duckfoot Knives: 1"
Heavy-duty Y Knives: 1.5"
Hammer Knives: 2"
Deck Material Thickness: 10 Gauge
Knives: Duckfoot, Heavy Y, Hammer
Knife Attachment: D-Ring for Light Blades;
C-Clamp for Heavy Blades
Brush Rake Teeth: 6, 8, 9, 11
Rotor Diameter: 5"
Rotor Shaft Speed: 2,450 RPM
Rotor Bearings: Spherical Roller Bearing
Rotor Rotation: Reverse
Driveline: Cat. 4
3 Strand Notched Powerband Belts
Rear Roller Diameter: 5.56"
Standard Replaceable Skid Shoes
Standard Rear Roller Scraper
Standard Chain Guard

Available only in ORANGE

YOU MUST ADD 11% SURCHARGE TO PRICES AS OF 8/4/21

MODEL NUMBER	DESCRIPTION	APPROX. MACHINE WEIGHT	SHIPPING WEIGHT	LIST PRICE
FM2548-0182	25 SERIES FLAIL MOWER - 48" Cutting Width	1058#	1091#	\$ 4,711
ADD				
OPTION NO.	YOU MUST CHOOSE A BLADE OPTION			
-11	Duckfoot Blade (333-038A)	161#	161#	\$ 1,199
-13	Heavy Y Blades (333-080A)	177#	177#	\$ 1,489
-14	Hammer Blades (333-134A)	182#	182#	\$ 920
YOU MAY CHOOSE A RAKE OPTION				
-21	Brush Rake Assembly (333-090A)	34#	34#	\$ 206
FM2560-0182	25 SERIES FLAIL MOWER - 60" Cutting Width	1211#	1244#	\$ 5,451
ADD				
OPTION NO.	YOU MUST CHOOSE A BLADE OPTION			
-11	Duckfoot Blade (333-039A)	191#	191#	\$ 1,435
-13	Heavy Y Blades (333-081A)	215#	215#	\$ 1,793
-14	Hammer Blades (333-135A)	222#	222#	\$ 1,151
YOU MAY CHOOSE A RAKE OPTION				
-21	Brush Rake Assembly (333-091A)	45#	45#	\$ 241
FM2572-0182	25 SERIES FLAIL MOWER - 72" Cutting Width	1333#	1366#	\$ 5,791
ADD				
OPTION NO.	YOU MUST CHOOSE A BLADE OPTION			
-11	Duckfoot Blade (333-040A)	221#	221#	\$ 1,623
-13	Heavy Y Blades (333-082A)	253#	253#	\$ 2,009
-14	Hammer Blades (333-136A)	261#	261#	\$ 1,344
YOU MAY CHOOSE A RAKE OPTION				
-21	Brush Rake Assembly (333-092A)	53#	53#	\$ 261
FM2584-0182	25 SERIES FLAIL MOWER - 84" Cutting Width	1466#	1499#	\$ 5,908
ADD				
OPTION NO.	YOU MUST CHOOSE A BLADE OPTION			
-11	Duckfoot Blade (333-041A)	250#	250#	\$ 1,921
-13	Heavy Y Blades (333-083A)	292#	292#	\$ 2,423
-14	Hammer Blades (333-137A)	301#	301#	\$ 1,630
YOU MAY CHOOSE A RAKE OPTION				
-21	Brush Rake Assembly (333-093A)	62#	62#	\$ 296

OFM26 Series Offset Flail Mower

[RETURN TO INDEX](#)

75-130 HP, Minimum Tractor Weight 6,900 lbs



Working Width: 61", 72", 78"
 Transport Width: 71", 83", 88"
 Cat. 2 Hitch
 Offset Right: 22.5"
 Follows Terrain, Up or Down 65°
 Gearbox: 540 RPM
 Minimum Cutting Height: 1"
 Cutting Capacity: 2.5"
 Hammer Blades
 Number of Blades: 60" - 20; 72" - 24; 78" - 26
 Blade Tip Speed: 8,460 fpm
 Deck Thickness: 8 Gauge
 End Panels: 3/8"
 Rotor Diameter: 6.5"
 Rotor Shaft Diameter: 2"
 Rotor Swing Diameter: 18"
 Rotor Shaft Speed: 1,800 RPM
 Rotor Rotation: Reverse
 Driveline: Cat. 3
 5 Drive Belts, Automatic Tensioner
 Rear Roller Diameter: 7.5"
 Standard Replaceable Skid Shoes
 Available in Orange Only

Grooming Mowers

YOU MUST ADD 11% SURCHARGE TO PRICES AS OF 8/4/21

MODEL NUMBER	DESCRIPTION	APPROX. MACHINE WEIGHT	SHIPPING WEIGHT	LIST PRICE
OFM2660	26 SERIES 60" OFFSET FLAIL MOWER	2,088#	2,360#	\$ 12,849
OFM2672	26 SERIES 72" OFFSET FLAIL MOWER	2,109#	2,381#	\$ 13,163
OFM2678	26 SERIES 78" OFFSET FLAIL MOWER	2,127#	2,396#	\$ 13,380

OFM36 Series Offset Flail Mower

[RETURN TO INDEX](#)

75-130 HP, Min. Tractor Weight 6,900 lbs.



Working Width: 78", 90", 98"
 Transport Width: 8'4", 9'4", 10'
 Cat. 2 Hitch
 Offset Right: 49"
 Follows Terrain, Up or Down 65°
 Gearbox: 540 RPM
 Minimum Cutting Height: 1"
 Cutting Capacity: 2.5"
 Hammer Blades
 Number of Blades: 78" - 26; 90" - 30; 98" - 32
 Blade Tip Speed: 8,460 fpm
 Deck Thickness: 8 Gauge
 End Panels: 3/8"
 Rotor Diameter: 6.5"
 Rotor Shaft Diameter: 2"
 Rotor Swing Diameter: 18"
 Rotor Shaft Speed: 1,858 RPM
 Rotor Rotation: Reverse
 Driveline: Cat. 3
 5 Drive Belts, Automatic Tensioner
 Rear Roller Diameter: 7.5"
 Standard Replaceable Skid Shoes
 Available in Orange Only

Grooming Mowers

YOU MUST ADD 11% SURCHARGE TO PRICES AS OF 8/4/21

MODEL NUMBER	DESCRIPTION	APPROX. MACHINE WEIGHT	SHIPPING WEIGHT	LIST PRICE
OFM3678	36 SERIES 78" OFFSET FLAIL MOWER	2,348#	2,620#	\$ 14,656
OFM3690	36 SERIES 90" OFFSET FLAIL MOWER	2,502#	2,774#	\$ 15,088
OFM3698	36 SERIES 98" OFFSET FLAIL MOWER	2,557#	2,829#	\$ 15,651

RCR12 Series - Utility Duty

[RETURN TO INDEX](#)

42: 18-40 HP; 48/60: 20-60 HP;
72: 25-60 HP



Made in USA
Hitch: Cat. 1 & Cat. 1 Limited; Floating Clevis Type Top Link
All Welded Deck to Lower Band
Deck Height: 7 1/4"
Deck Thickness: 12 Gauge
Gearbox Rating^: 60 HP
Gearbox: 540 RPM, Beveled Gears, Cast Iron Housing
Driveline: Cat. 3; Center Shear Bolt
or 2-Plate Slip-Clutch
Front and Rear Rubber Guards
*42 Series - Front Rubber Guard Only
3/4" Blade Holder Bar with Stump Jumper
Blades: 2 ea., 1/2" x 3" Heat Treated
Free Swinging Alloy Steel Suction Blades
Blade Bolt: Keyed with Hardened Flat Washer & Lock Nut
Blade Speed: 42: 11,417 fpm; 48:13,256 fpm;
60:16,536 fpm; 72:15,033 fpm
Tailwheel: 15" Laminated Tire with Cast Iron Hub
Cutting Height: 1 1/4" - 10"
Skids: Weld-on
Fits Land Pride Quick-Hitch

Rotary Cutters

*Bolt on Skid Shoes Available through Parts Dept. for 60" & 72"

MUST BE ORDERED IN MULTIPLES OF 6, SAME COLOR, SAME SIZE, SAME OPTIONS

YOU MUST ADD 11% SURCHARGE TO PRICES AS OF 8/4/21

MODEL NUMBER	DESCRIPTION	APPROX. MACHINE WEIGHT	SHIPPING WEIGHT	LIST PRICE
12 SERIES - 42" ROTARY CUTTER				
RCR1242 -11 -31 -96	Laminated Tailwheel, Shear Bolt	414#	456#	\$ 1,462
-11 -32 -96	Laminated Tailwheel, Slip-Clutch	424#	466#	\$ 1,714
12 SERIES - 48" ROTARY CUTTER				
RCR1248 -11 -31 -96	Laminated Tailwheel, Shear Bolt	441#	488#	\$ 1,603
-11 -32 -96	Laminated Tailwheel, Slip-Clutch	451#	498#	\$ 1,856
12 SERIES - 60" ROTARY CUTTER				
RCR1260 -11 -31 -96	Laminated Tailwheel, Shear Bolt	529#	564#	\$ 1,709
-11 -32 -96	Laminated Tailwheel, Slip-Clutch	540#	579#	\$ 1,962
-11 -33 -97	Laminated Tailwheel, K-Hitch Interference, Single	584#	619#	\$ 2,435
12 SERIES - 72" ROTARY CUTTER				
RCR1272 -11 -31 -96	Laminated Tailwheel, Shear Bolt	595#	620#	\$ 2,289
-11 -32 -96	Laminated Tailwheel, Slip-Clutch	606#	631#	\$ 2,543

----- 2-PAK PRICING -----

ADD \$45 LIST ON EACH CUTTER. Each 2-Pak must be same color, same size, same options.

For LTL Shipments, LTL Freight rates apply.

DELETE option No. -96 and ADD option No. -92 \$ 45

----- TRUCKLOAD SAVINGS -----

When Eight 6-Paks are ordered at one time, DEDUCT \$28 LIST ON EACH CUTTER.

Each 6-Pak must be same color, same size, same options.

DELETE option No. -96 and ADD option No. -98 \$ (28)

ADD OPTION NO.	COLOR OPTIONS (No Option=Buckskin)	
-82	Orange	
AVAILABLE THROUGH PARTS DEPT. ONLY		
326-120A	Replaceable Skid Shoes - for 60" & 72"	\$ 48

WARNING! Rotary Cutters used in non-agricultural areas must be equipped with front & rear guards. The possibility of thrown objects can be hazardous to persons or property.

^Gearbox HP rating is based on in field use and performance

RCR15 Series - Utility Duty

[RETURN TO INDEX](#)

20-60 HP



Rotary Cutters

Made in USA
 Hitch: Cat. 1 & Cat. 1 Limited; 3-Point with Floating
 Clevis Type Top Link
 One Piece Reinforced Deck
 Deck Height: 7¹/₄"
 Deck Thickness: 12 Gauge
 Gearbox Rating[^]: 65 HP
 Gearbox: 540 RPM, Beveled Gears, Cast Iron Housing
 Driveline: Cat. 3; 1/2" Center Shear Bolt
 or 2-Plate Slip-Clutch
 Optional Front and Rear Rubber Guard
 Stump Jumper
 Blades: 2 ea. (1/2" x 3" Heat Treated)
 Free Swinging Alloy Steel Suction Blades
 Blade Bolt: Keyed with Hardened Flat Washer
 & Lock Nut
 Blade Speed: 11,459 fpm on 42"; 13,090 fpm on 48"
 Tailwheel: 4" x 16" Molded Rubber - 360 Degree Swivel
 Cutting Height: 1 3/4" - 11 1/2"
 Cutting Capacity: 2"
 Skids: Weld-on
 Fits Land Pride Quick-Hitch

YOU MUST ADD 11% SURCHARGE TO PRICES AS OF 8/4/21

MODEL NUMBER	DESCRIPTION	APPROX. MACHINE WEIGHT	SHIPPING WEIGHT	LIST PRICE
15 SERIES - 48" ROTARY CUTTER				
RCR1548	-01123142 Molded Rubber Tailwheel, Shear Bolt Driveline Front and Rear Rubber Guard	549#	639#	\$ 1,961
	For Laminated Tailwheel DELETE -12 from Model No. and ADD -11		44#	\$ (39)
	For Slip-Clutch Driveline DELETE -31 from Model No. and ADD -32		36#	\$ 185

ADDITIONAL SAVINGS
RCR 5-PAK STOCKING PROGRAM

When 5 same color, width and optioned units are ordered at one time - DEDUCT \$53 List on each cutter

Add option No. -99 to Model Number & Deduct \$ (53)

ADD OPTION NO. **COLOR OPTIONS (No Option=Buckskin)**
 -82 Orange - 5 Pak and Single units available

[^]Gearbox HP rating is based on in field use and performance

WARNING!

Rotary Cutters used in non-agricultural areas must be equipped with front & rear guards. The possibility of thrown objects can be hazardous to persons or property.

RCR18 Series - Utility Duty

RETURN TO INDEX

20-65 HP



Made in USA
 Hitch: Cat. 1; Floating Clevis Type Top Link
 and Clevis Type Lower Links
 All Welded Deck
 Deck Height: 60" - 7 1/2"; 72" - 9"
 Cutting Capacity: 2"
 Deck Thickness: 60" - 11 Gauge; 72" - 10 Gauge

Side Skirt Thickness: 10 Gauge
 Gearbox Rating^: 65 HP
 Gearbox: 540 RPM, Beveled Gears, Cast Iron Housing
 Driveline: Cat. 3; Center Shear Bolt
 or 2-Plate Slip-Clutch
 Front Rubber Optional
 Rear Rubber Optional
 Rear Metal Band Standard
 Blade Holder Bar with Stump Jumper
 Blades: 2 ea. (1/2" x 3" Heat Treated)
 Free Swinging Alloy Steel Suction Blades
 Blade Bolt: Keyed with Hardened Flat Washer &
 Lock Nut
 Blade Speed: 16,363 fpm on 60"; 14,853 fpm on 72"
 Tailwheel: 15" Laminated Tire with Cast Iron Hub
 or 4" x 16" Molded Rubber - 360 Degree Swivel
 Cutting Height: 60": 1 1/2" - 13"; 72: 1 1/2" - 11 1/2"
 Skids: Weld-on
 Fits Land Pride Quick-Hitch

*Bolt on Skid Shoes Available through Parts Dept.

Rotary Cutters

YOU MUST ADD 11% SURCHARGE TO PRICES AS OF 8/4/21

MODEL NUMBER	DESCRIPTION	APPROX. MACHINE WT	SHIPPING WEIGHT	LIST PRICE
18 SERIES - 60" ROTARY CUTTER				
RCR1860	-11 -31 Laminated Tailwheel, Shear Bolt	677#	816#	\$ 2,155
	-11 -32 Laminated Tailwheel, Slip-Clutch	687#	744#	\$ 2,344
	-12 -31 Molded Rubber Tailwheel, Shear Bolt	678#	776#	\$ 2,194
	<u>You Must Choose a Front Guard</u>			
	ADD -01 Front Rubber Guard (312-844A)	6#	6#	\$ 59
	ADD -02 Front Chain Guard (312-845A)	24#	24#	\$ 171
	<u>You May Choose a Rear Guard (Metal Band Standard)</u>			
	ADD -42 Rear Rubber Guard (312-652A)	23#	23#	\$ 61
	ADD -41 Rear Chain Guard (312-834A)	28#	28#	\$ 186
18 SERIES - 72" ROTARY CUTTER				
RCR1872	-11 -31 Laminated Tailwheel, Shear Bolt	826#	944#	\$ 2,756
	-11 -32 Laminated Tailwheel, Slip-Clutch	836#	954#	\$ 2,942
	-12 -31 Molded Rubber Tailwheel, Shear Bolt	827#	945#	\$ 2,796
	<u>You Must Choose a Front Guard</u>			
	ADD -01 Front Rubber Guard (312-846A)	8#	8#	\$ 67
	ADD -02 Front Chain Guard (312-847A)	38#	38#	\$ 204
	<u>You May Choose a Rear Guard (Metal Band Standard)</u>			
	ADD -42 Rear Rubber Guard (312-651A)	23#	23#	\$ 69
	ADD -41 Rear Chain Guard (312-842A)	38#	38#	\$ 223

ADDITIONAL SAVINGS
RCR 5-PAK STOCKING PROGRAM

When 5 same color, width and optioned units are ordered at one time - DEDUCT \$55 List on each cutter
 Add option No. -99 to Model Number & Deduct \$ (55)

ADD OPTION NO. **COLOR OPTIONS (No Option=Buckskin)**
 -82 Orange - 5 Pak and Single units available

WARNING!
 Rotary Cutters used in non-agricultural areas must be equipped with front & rear guards. The possibility of thrown objects can be hazardous to persons or property.

^Gearbox HP rating is based on in field use and performance

RCR18 Series - Utility Duty

RETURN TO INDEX

45-90 HP



Rotary Cutters



Made in USA
 Hitch: Cat. 1 and 2; Floating Clevis Type Top Link and Clevis Type Lower Links
 All Welded Deck
 Deck Height: 9¹/₈"
 Deck Thickness: 10 Gauge
 Cutting Capacity: 2"
 Gearbox Rating[^]: 130 HP
 Gearbox: 540 RPM, Beveled Gears, Cast Iron Housing
 Driveline: Cat. 4; 2-Plate Slip-Clutch
 Front Rubber or Chain Guard
 Rear Chain Guard Optional
 Rear Metal Band Standard
 Blade Holder Bar with Stump Jumper
 Blades: 2 ea. (1/2" x 4" Heat Treated)
 Free Swinging Alloy Steel Suction Blades
 Blade Bolt: Keyed with Hardened Flat Washer & Lock Nut
 Blade Speed: 17,100 fpm
 Tailwheel: 15" Laminated Tire with Cast Iron Hub
 Cutting Height: 2"-11"
 Skids: Weld-on
 Fits Land Pride Quick-Hitch

YOU MUST ADD 11% SURCHARGE TO PRICES AS OF 8/4/21

MODEL NUMBER	DESCRIPTION	APPROX. MACHINE WEIGHT	SHIPPING WEIGHT	LIST PRICE
RCR1884	18 SERIES - 84" ROTARY CUTTER	907#	987#	\$ 3,890
ADD OPTION NO.	You Must Choose Front Guarding			
-01	Front Rubber Guard (312-866A)	25#	25#	\$ 104
-02	Front Chain Guard (312-869A)	46#	46#	\$ 215
	Choose One Tailwheel Package			
-16	Single Laminated Tailwheel	108#	108#	\$ 423
-17	Dual Laminated Tailwheel	240#	240#	\$ 898
	You May Choose a Rear Guard (Metal Band Standard)			
-41	Rear Chain Guard (312-872A)	80#	80#	\$ 236
ADD OPTION NO.	COLOR OPTIONS (No Option=Buckskin)			
-81	Green			
-82	Orange			
-83	Red			

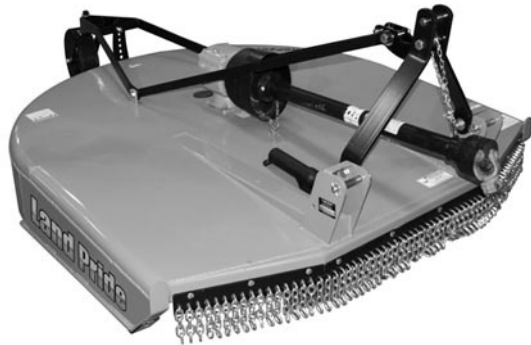
[^]Gearbox HP rating is based on in field use and performance

WARNING! Rotary Cutters used in non-agricultural areas must be equipped with front & rear guards. The possibility of thrown objects can be hazardous to persons or property.

RCF20 Series - Utility Duty - Smooth Top

RETURN TO INDEX

20-65 HP



Made in USA
 Hitch: Cat. 1; Floating Top Link
 Quick-Hitch Adaptable
 All Welded Deck
 Deck Height: 60" - 9^{11/16}"; 72" - 11"
 Cutting Capacity: 2"
 Cutting Height: 1^{1/2}" - 12"

Deck Thickness: 10 gauge
 Side Skirt: 10 Gauge
 Gearbox Rating[^]: 65 HP
 Gearbox: 540 RPM, Beveled Gears
 Cast Iron Housing
 Driveline: Cat. 3; Shear Bolt
 or 2-Plate Slip-Clutch
 Optional Front Guard: Rubber or Chain
 Optional Rear Guard: Rubber or Chain
 Rear Metal Band Standard
 Blade Holder Bar with Stump Jumper
 Blades: 2 ea. (1/2" x 3" Heat Treated)
 Free Swinging High-Lift, Low Friction Blades
 Blade Bolt: Keyed with Hardened Flat Washer & Lock Nut
 Blade Speed: 16,363 fpm on 60"; 14,955 fpm on 72"
 Tailwheel: Single or Dual, 4" x 15" Laminated Tire
 or 4" x 16" Molded Rubber - 360 Degree Swivel
 Skids: Weld-on
 Fits Land Pride Quick-Hitch

*Bolt on Skid Shoes Available through Parts Dept.

Rotary Cutters

YOU MUST ADD 11% SURCHARGE TO PRICES AS OF 8/4/21

MODEL NUMBER	DESCRIPTION	APPROX. MACHINE WEIGHT	SHIPPING WEIGHT	LIST PRICE
RCF2060	20 SERIES - 60" ROTARY CUTTER			
-11 -31	Laminated Tailwheel, Shear Bolt	697#	795#	\$ 2,352
-11 -32	Laminated Tailwheel, Slip-Clutch	706#	803#	\$ 2,542
-12 -31	Molded Rubber Tailwheel, Shear Bolt	697#	795#	\$ 2,392
	You Must Choose a Front Guard			
ADD -01	Front Rubber Guard (312-844A)	6#	6#	\$ 59
ADD -02	Front Chain Guard (312-845A)	24#	24#	\$ 171
	You May Choose a Rear Guard (Metal Band Standard)			
ADD -42	Rear Rubber Guard (312-652A)	23#	23#	\$ 61
ADD -41	Rear Chain Guard (312-834A)	28#	28#	\$ 186
RCF2072	20 SERIES - 72" ROTARY CUTTER			
-11 -31	Laminated Tailwheel, Shear Bolt	844#	962#	\$ 2,953
-11 -32	Laminated Tailwheel, Slip-Clutch	847#	965#	\$ 3,139
-12 -31	Molded Rubber Tailwheel, Shear Bolt	845#	963#	\$ 2,992
	You Must Choose a Front Guard			
ADD -01	Front Rubber Guard (312-846A)	8#	8#	\$ 67
ADD -02	Front Chain Guard (312-847A)	38#	38#	\$ 204
	You May Choose a Rear Guard (Metal Band Standard)			
ADD -42	Rear Rubber Guard (312-651A)	23#	23#	\$ 69
ADD -41	Rear Chain Guard (312-842A)	38#	38#	\$ 223

ADDITIONAL SAVINGS
___ RCR 5-PAK STOCKING PROGRAM ___

When 5 same color, width and optioned units are ordered at one time - DEDUCT \$55 List on each cutter
 Add option No. -99 to Model Number & Deduct \$ (55)

ADD OPTION NO.	COLOR OPTIONS (No Option=Buckskin)	
-82	Orange - 5 Pak and Single units available	
	Available Through Parts Dept. Only	
326-120A	Bolt-on Skid Shoes - 60" & 72"	\$ 48

WARNING! Rotary Cutters used in non-agricultural areas must be equipped with front & rear guards. The possibility of thrown objects can be hazardous to persons or property.

[^]Gearbox HP rating is based on in field use and performance

RCF20 Series - Utility Duty - Smooth Top

RETURN TO INDEX

45-90 HP



Rotary Cutters

Made in USA
 Hitch: Cat. 1 and 2; Floating Top Link
 Clevis Type Lower Links, Quick-Hitch Adaptable
 Cutting Height: 1 1/2"-12"
 All Welded Deck
 Deck Height: 11¹⁵/₁₆"
 Deck Thickness: 10 Gauge
 Side Skirt: 10 Gauge
 Cutting Capacity: 2"
 Gearbox Rating[^]: 130 HP
 Gearbox: 540 RPM, Beveled Gears, Cast Iron Housing
 Driveline: Cat. 4; 2-Plate Slip-Clutch
 Optional Front Guard: Rubber or Chain
 Optional Rear Chain Guard
 Rear Metal Band Standard
 Blade Holder Bar with Stump Jumper
 Blades: 2 ea. (1/2" x 4" Heat Treated)
 Free Swinging Alloy Steel Suction Blades
 Blade Bolt: Keyed with Hardened Flat Washer & Lock Nut
 Blade Speed: 17,113 fpm
 Tailwheel: 4" x 15" Laminated Tire w/Cast Iron Hub - 360 Degree Swivel
 Skids: Weld-on
 Fits Land Pride Quick-Hitch

*Bolt on Skid Shoes Available through Parts Dept.

YOU MUST ADD 11% SURCHARGE TO PRICES AS OF 8/4/21

MODEL NUMBER	DESCRIPTION	APPROX. MACHINE WEIGHT	SHIPPING WEIGHT	LIST PRICE
RCF2084	20 SERIES - 84" ROTARY CUTTER	1000#	1085#	\$ 4,086
ADD OPTION NO.	You Must Choose Front Guarding			
-01	Front Rubber Guard	25#	25#	\$ 104
-02	Front Chain Guard	46#	46#	\$ 215
	Choose One Tailwheel Package			
-16	Single Laminated Tailwheel	108#	108#	\$ 423
-17	Dual Laminated Tailwheel	240#	240#	\$ 898
	You May Choose a Rear Guard (Metal Band Standard)			
-41	Rear Chain Guard	62#	62#	\$ 236
ADD OPTION NO.	COLOR OPTIONS (No Option=Buckskin)			
-81	Green			
-82	Orange			
-83	Red			
	Available Through Parts Dept. Only			
326-120A	Bolt-on Skid Shoes - 84"			\$ 48

[^]Gearbox HP rating is based on in field use and performance

WARNING!
 Rotary Cutters used in non-agricultural areas must be equipped with front & rear guards. The possibility of thrown objects can be hazardous to persons or property.

RCR26 Series - Medium Duty

RETURN TO INDEX

60/72: 35-130 HP • 84: 60-130 HP



Rotary Cutters



Hitch: 60" & 72" Cat. 1 or 2 (QH Adaptable)
 84": Cat. 2 Std. (QH Adaptable) or Cat. 3 Adaptable
 All Welded Deck
 Deck Height:
 60" & 72" is 9"
 84" is 9¹/₈"
 Deck Thickness: 10 Gauge
 Side Panels: 1/4"

Gearbox Rating[^]: 130 HP
 Gearbox: 540 RPM, 1³/₈" - 6 Spline
 Gearbox Output Shaft: 2"
 Driveline: Cat. 4 with 4 Plate Slip-Clutch
 Stump Jumper: 60" - 3/16" x 24" Round
 72" - 3/16" x 30¹/₂" Round
 84" - 3/16" x 24" x 38" Oval
 Blades: Free Swinging High Suction
 60" - 1/2" x 4" x 25"
 72" - 1/2" x 4" x 29"
 84" - 1/2" x 4" x 31"
 Blade Bolt: Keyed with Hardened Flat Washer & Lock Nut
 Blade Tip Speed:
 60" - 12,384 fpm
 72" - 14,861 fpm
 84" - 14,369 fpm
 Tailwheel(s): 15" Laminated, with Cast Iron Hub, Tapered Roller Bearings
 Cutting Height: 2" - 12"
 Cutting Capacity: 3"
 Skids: Replaceable
 Optional Front and Rear Guards
 Rear Metal Band Standard

YOU MUST ADD 11% SURCHARGE TO PRICES AS OF 8/4/21

MODEL NUMBER	DESCRIPTION	APPROX. MACHINE WEIGHT	SHIPPING WEIGHT	LIST PRICE
RCR2660	26 SERIES - 60" ROTARY CUTTER You Must Choose Front Guarding	878#	958#	\$ 3,517
ADD -01	Front Chain Guard (312-781A)	39#	39#	\$ 244
ADD -02	Front Rubber Guard (312-782A)	30#	30#	\$ 180
	<u>You May Choose a Rear Guard (Metal Band Standard)</u>			
ADD -41	Rear Chain Guard (326-929A)	51#	51#	\$ 289
RCR2672	26 SERIES - 72" ROTARY CUTTER You Must Choose Front Guarding	887#	967#	\$ 4,022
ADD -01	Front Chain Guard (312-793A)	46#	46#	\$ 287
ADD -02	Front Rubber Guard (312-794A)	8#	8#	\$ 197
	<u>You May Choose a Rear Guard (Metal Band Standard)</u>			
ADD -41	Rear Chain Guard (326-930A)	73#	73#	\$ 332
RCR2684	26 SERIES - 84" ROTARY CUTTER You Must Choose Front Guarding	1324#	1404#	\$ 4,705
ADD -01	Front Chain Guards (312-869A)	46#	46#	\$ 326
	<u>You May Choose a Rear Guard (Metal Band Standard)</u>			
ADD -41	Rear Chain Guards (326-931A)	70#	70#	\$ 356
	<u>You Must Choose One for RCR2684</u>			
ADD -11	3 Point with Single 15" Laminated Tire	262#	262#	\$ 1,054
ADD -14	3 Point with Dual 15" Laminated Tires	500#	500#	\$ 1,418
ADD				
OPTION NO.	COLOR OPTION (No Option=Buckskin)			
-81	Green (84" only)			
-82	Orange			
-83	Red (84" only)			

temporarily suspended

temporarily suspended

WARNING! Rotary Cutters used in non-agricultural areas must be equipped with front & rear guards. The possibility of thrown objects can be hazardous to persons or property.

[^]Gearbox HP rating is based on in field use and performance

RCF27 Series - Medium Duty

RETURN TO INDEX

60/72: 35-130 HP • 84: 60-130 HP



Rotary Cutters



Gearbox Rating[^]: 130 HP
 Gearbox: 540 RPM, 1³/₈" - 6 Spline
 Gearbox Output Shaft: 2"
 Driveline: Cat. 4 with 4 Plate Slip-Clutch
 Stump Jumper: 60" - ³/₁₆" x 24" Round
 72" - ³/₁₆" x 30¹/₂" Round
 84" - ³/₁₆" x 24" x 38" Oval
 Blades: Free Swinging High Suction
 60" - 1/2" x 4" x 25"
 72" - 1/2" x 4" x 29"
 84" - 1/2" x 4" x 31"
 Blade Bolt: Keyed with Hardened Flat Washer & Lock Nut
 Blade Tip Speed:
 60" - 12,384 fpm
 72" - 14,861 fpm
 84" - 14,369 fpm
 Tailwheel(s): 15" Laminated, with Cast Iron Hub, Tapered Roller Bearings
 Cutting Height: 1¹/₂" - 12"
 Cutting Capacity: 3"
 Skids: Replaceable
 Optional Front and Rear Guards
 Rear Metal Band Standard

Hitch: 60" & 72" Cat. 1* or 2 (QH Adaptable)
 84": Cat. 2 Std. or Cat. 3 QH Adaptable or Pull-Type
 All Welded Deck
 Deck Height:
 60" & 72" is 11¹/₄"
 84" is 10¹/₈"
 Deck Thickness: 10 Gauge
 Side Panels: 1/4"

YOU MUST ADD 11% SURCHARGE TO PRICES AS OF 8/4/21

temporarily suspended

MODEL NUMBER	DESCRIPTION	APPROX. MACHINE WEIGHT	SHIPPING WEIGHT	LIST PRICE
RCF2760	27 SERIES - 60" ROTARY CUTTER You Must Choose Front Guarding	944#	1024#	\$ 3,657
-01	Front Chain Guard (326-302A)	39#	39#	\$ 244
-02	Front Rubber Guard (326-303A)	24#	24#	\$ 180
	You May Choose a Rear Guard (Metal Band Standard)			
-41	Rear Chain Guard (326-929A)	51#	51#	\$ 289
RCF2772	27 SERIES - 72" ROTARY CUTTER You Must Choose Front Guarding	1047#	1127#	\$ 4,165
-01	Front Chain Guard (326-306A)	45#	45#	\$ 287
-02	Front Rubber Guard (326-307A)	28#	28#	\$ 197
	You May Choose a Rear Guard (Metal Band Standard)			
-41	Rear Chain Guard (326-930A)	73#	73#	\$ 332
RCF2784	27 SERIES - 84" ROTARY CUTTER You Must Choose Front Guarding	1069#	1149#	\$ 4,705
-01	Front Chain Guards (312-869A)	46#	46#	\$ 326
-02	Front Rubber Guard (312-866A)	25#	25#	\$ 214
	You Must Choose One for RCF2784			
-11	3-Point with Single 15" Laminated Tire	262#	262#	\$ 1,054
-14	3-Point with Dual 15" Laminated Tires	500#	500#	\$ 1,418
-12	Pull-Type with 21" Laminated Tires	335#	335#	\$ 2,908
	You Must Choose One for Pull-Type RCF2784			
-21	Ratchet Height Adjustment	15#	15#	\$ 256
-22	Hydraulic Type Adjustment	40#	40#	\$ 494
	You May Choose a Rear Guard (Metal Band Standard)			
-41	Rear Chain Guards (326-931A)	70#	70#	\$ 356
	COLOR OPTION (No Option=Buckskin)			
-81	Green (84" only)			
-82	Orange			
-83	Red (84" only)			

Available Through Parts Dept. Only

326-607A *Requires Top 3 Pt Cat 2/Cat 1 Conversion Kit

[^]Gearbox HP rating is based on in field use and performance

WARNING! Rotary Cutters used in non-agricultural areas must be equipped with front & rear guards. The possibility of thrown objects can be hazardous to persons or property.

RCF36 Series - Heavy Duty

RETURN TO INDEX

60-190 HP



Rotary Cutters



Hitch: Cat. 1* or 2 (QH Adaptable)
 All Welded Deck
 Deck Height: 13³/₈"
 Deck Thickness: 3³/₁₆"
 Side Panels: 1/4"
 Gearbox Rating^: 210 HP
 Gearbox: 540 RPM, 1³/₄" - 20 Spline
 Gearbox Output Shaft: 2³/₈"
 Driveline: Cat. 5 with 4 Plate Slip-Clutch
 Stump Jumper: 3³/₁₆"
 Blades: Free Swinging High Lift, 1/2" x 4" x 29"
 Blade Bolt: Keyed with Hardened Flat Washer & Lock Nut
 Blade Tip Speed: 14,861 fpm
 Tailwheel(s): 15" Laminated, with Cast Iron Hub, Tapered Roller Bearings, 21" on Pull-Type
 Cutting Height: 2" - 12"
 Cutting Capacity: 4"
 Skids: Replaceable
 Front and Rear Chain Guards Available

YOU MUST ADD 11% SURCHARGE TO PRICES AS OF 8/4/21

MODEL NUMBER	DESCRIPTION	APPROX. MACHINE WEIGHT	SHIPPING WEIGHT	LIST PRICE
RCF3672	36 SERIES - 72" ROTARY CUTTER	1318#	1398#	\$ 5,957
	<u>You Must Choose Front Guarding</u>			
-01	Front Chain Guard (326-663A)	55#	55#	\$ 287
-02	Front Rubber Guard (326-256A)	23#	23#	\$ 197
-03	Front Double Chain Guard (326-257A)	81#	81#	\$ 386
	<u>You Must Choose Rear Guarding</u>			
-41	Rear Chain Guard (326-317A)	44#	44#	\$ 412
-43	Rear Double Chain Guard (326-319A)	64#	64#	\$ 524
-45	Rear Band Guard (326-270A)	35#	35#	\$ N/C
	<u>You Must Choose One</u>			
-90	Standard Blade Carrier - 72"	166#	166#	N/C
-91	Shredder Kit	170#	170#	\$ 759
ADD OPTION NO.	<u>COLOR OPTION (No Option=Buckskin)</u>			
-82	Orange			
	<u>Available Through Parts Dept. Only</u>			
326-607A	*Requires Top 3 Pt Cat 2/Cat 1 Conversion Kit			

[^]Gearbox HP rating is based on in field use and performance

WARNING!

Rotary Cutters used in non-agricultural areas must be equipped with front & rear guards. The possibility of thrown objects can be hazardous to persons or property.

RCF36 Series - Heavy Duty

RETURN TO INDEX

84 Lift: 70-190 HP • Pull: 50-190 HP



Hitch: Cat. 2 or Cat. 3 (QH Adaptable)
 All Welded Deck
 Deck Height: 13³/₈"
 Deck Thickness: 3/16"
 Side Panels: 1/4"
 Gearbox Rating: 225 HP
 Gearbox: 540 RPM, 1³/₄" - 20 Spline
 Gearbox Output Shaft: 2³/₈"
 Driveline: Cat. 5 with 4 Plate Slip-Clutch
 Stump Jumper: 3/16"
 Blades: Free Swinging High Lift
 1/2" x 4" x 29"
 Blade Bolt: Keyed with Hardened
 Flat Washer & Lock Nut
 Blade Tip Speed: 14,369 fpm
 Tailwheel(s): 15" Laminated, with Cast Iron Hub,
 Tapered Roller Bearings, 21" on Pull-Type
 Cutting Height: 2" - 12"
 Cutting Capacity: 4"
 Skids: Replaceable
 Front and Rear Chain Guards Available

Rotary Cutters

YOU MUST ADD 11% SURCHARGE TO PRICES AS OF 8/4/21

MODEL NUMBER	DESCRIPTION	APPROX. MACHINE WEIGHT	SHIPPING WEIGHT	LIST PRICE
RCF3684	36 SERIES - 84" ROTARY CUTTER	1449#	1529#	\$ 5,600
	<u>You Must Choose Front Guarding</u>			
-01	Front Chain Guards (326-661A)	64#	64#	\$ 326
-02	Front Rubber Guard (326-258A)	26#	26#	\$ 214
-03	Front Double Chain Guards (326-662A)	94#	94#	\$ 790
	<u>You Must Choose One</u>			
-12	Pull-Type with Dual 21" Laminated Tires	565#	565#	\$ 2,908
-14	3-Point with Dual 15" Laminated Tires	501#	501#	\$ 2,497
	<u>You Must Choose One for 3-Point</u>			
-21	Ratchet Height Adjustment	15#	15#	\$ 256
-23	Hydraulic Height Adjustment	40#	40#	\$ 471
	<u>You Must Choose One for Pull-Type</u>			
-21	Ratchet Height Adjustment	15#	15#	\$ 256
-22	Hydraulic Type Adjustment	32#	32#	\$ 531
	<u>You Must Choose Rear Guarding</u>			
-41	Rear Chain Guard (326-184A)	66#	66#	\$ 526
-43	Rear Double Chain Guards (326-264A)	83#	83#	\$ 769
-45	Rear Band Guard (326-271A)	40#	40#	\$ N/C
	<u>You Must Choose One</u>			
-90	Standard Blade Carrier - 84"	220#	220#	N/C
-91	Shredder Kit	200#	200#	\$ 759
ADD OPTION NO.	<u>COLOR OPTION (No Option=Buckskin)</u>			
-81	Green			
-82	Orange			
-83	Red			

*Gearbox HP rating is based on in field use and performance

WARNING! Rotary Cutters used in non-agricultural areas must be equipped with front & rear guards. The possibility of thrown objects can be hazardous to persons or property.

RCD18 Series - Utility Duty - Dual Spindle Offset

RETURN TO INDEX

35-60 HP



Rotary Cutters



Made in USA
 Hitch: Cat. 1 QH with Clevis Type Lower Links
 10" Offset
 All Welded Deck
 Deck Height: 11⁵/₈"
 Deck Thickness: 10 Gauge
 Cutting Capacity: 1¹/₂"
 Gearbox Rating[^]: 90 HP Main, 45 HP Side
 Gearbox: 540 RPM, Beveled Gears
 Cast Iron Housing
 Driveline: Cat. 3 with 2-Plate Slip-Clutch
 Safety Guards: Front-Rubber or Chain;
 Rear-Metal Band
 Blade Holder: Bar with Stump Jumper
 Blades: 2 ea. (1/2" x 4" Heat Treated)
 Free Swinging Alloy Steel Suction Blades
 Blade Bolt: Keyed with Hardened Flat Washer &
 Lock Nut
 Blade Speed: 11,693 fpm
 Tailwheels: 15" Laminated Tire or 4" x 16" Molded Rubber
 Cutting Height: 2"-12"
 Skids: Weld-on
 Additional Skids: Bolt-on
 Fits Land Pride Quick-Hitch

YOU MUST ADD 11% SURCHARGE TO PRICES AS OF 8/4/21

MODEL NUMBER	DESCRIPTION	APPROX. MACHINE WEIGHT	SHIPPING WEIGHT	LIST PRICE
Choose One Tailwheel Package				
RCD1884-11	18 SERIES - 84" ROTARY CUTTER with Dual Laminated Tailwheels	1065#	1145#	\$ 5,279
RCD1884-12	18 SERIES - 84" ROTARY CUTTER with Dual Solid Tailwheels	1070#	1150#	\$ 5,460
ADD OPTION				
You MUST Choose One Front Guard Option				
-01	Single Front Chain Guard (326-449A)	48#	48#	\$ 159
-02	Front Rubber Guard (326-342A)	23#	23#	\$ 100
Options				
-45	Extended Rear Band (326-458A)	35#	35#	\$ 110
You May Choose a Color Option (No Option=Buckskin)				
-82	Orange			

temporarily suspended

temporarily suspended

[^]Gearbox HP rating is based on in field use and performance

WARNING!

Rotary Cutters used in non-agricultural areas must be equipped with front & rear guards. The possibility of thrown objects can be hazardous to persons or property.

RCR25 Series - 8' Medium Duty

RETURN TO INDEX

Pull-Type: 40-110 HP • 3 Point: 50-110 HP



Cutting Width: 94"
 Overall Width: 8³/₄"
 Cutting Height: 2" - 12"
 Cutting Capacity: 1¹/₂"
 3 Point: Cat. 1 and 2, Quick Hitch Adaptable
 Pull-Type: Self-Leveling, w/ Dual-Leveling Rods
 Tongue Jack on Pull-Type
 Deck Height: 9⁵/₈"

Deck Thickness: 10 Gauge
 Side Skirt Thickness: 1/4"
 Gearbox Rating^: Outboard - 60 HP
 T-Box - 100 HP
 Gearbox: 540 rpm
 Beveled Gears
 Cast Iron Housing
 Gearbox Input Shaft: 1³/₄" - 20 Spline
 Output Shaft Diameter: 2"
 Driveline: Cat. 4
 Equal Angle Shaft on Pull-Type
 Slip-Clutch Protection
 Rubber Flex Coupler to Wing Boxes
 Blade Holder: 2 ea., 3/16" Stump Jumper
 Blades: 2 per Blade Holder; 1/2" x 4" Heat Treated
 Free Swinging Suction Blades
 Blade Tip Speed: 540 rpm 14,492 fpm
 Tailwheel: Lift-Type, 2 ea. 4" x 8" x 15¹/₄"
 Castered Laminated Tires
 Pull Type: 6" x 9" x 21" Laminated Tires, or
 24" Used Aircraft Tires
 Tapered Roller Bearings & Cast Iron Hub
 Replaceable Skids
 Optional Front Chain Guard or Rubber Guard
 Optional Rear Chain Guard or Rubber Guard
 Spring Shock Absorber on Axle of Pull Type

Rotary Cutters

YOU MUST ADD 11% SURCHARGE TO PRICES AS OF 8/4/21

MODEL NUMBER	DESCRIPTION	APPROX. MACHINE WEIGHT	SHIPPING WEIGHT	LIST PRICE
RCR2596	25 SERIES - 8' ROTARY CUTTER - 540 rpm	1068#	1068#	\$ 5,315
ADD OPTION				
NUMBER You Must Choose One Front Guard				
-01	Front Chain Guard (312-775A)	62#	62#	\$ 240
-02	Front Rubber Guard (312-774A)	50#	50#	\$ 215
Choose One Hitch Feature				
-11	3 Point w/Laminated Tires and Slip-Clutch Driveline	170#	170#	\$ 1,037
-12	Pull-Type with Equal Angle Driveline	265#	265#	\$ 1,668
Choose One Tire Feature - Pull-Type Only				
-21	21" Laminated Tires - Set of 2	150#	150#	\$ 313
-24	Used Airplane Tires - Set of 2	150#	150#	\$ 420
You Must Choose One Rear Guard				
-41	Rear Chain Guard (312-616A)	30#	30#	\$ 141
-42	Rear Rubber Guard (312-618A)	32#	32#	\$ 128
Pull-Type - Choose One Height Adjustment				
-51	Ratchet Jack	15#	15#	\$ 140
-52	Hydraulic Cylinder and Hoses	25#	25#	\$ 501
You May Choose a Color Option (No Option=Buckskin)				
-81	Green			
-82	Orange			
-83	Red			

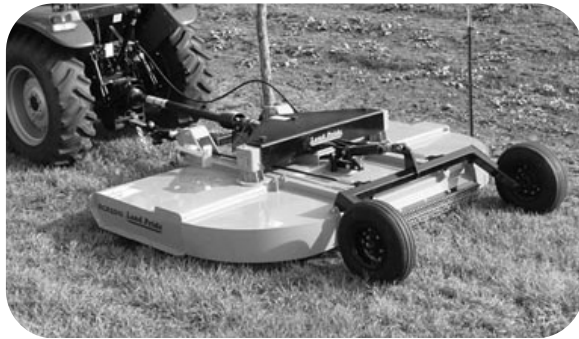
^Gearbox HP rating is based on in field use and performance

WARNING! Rotary Cutters used in non-agricultural areas must be equipped with front & rear guards. The possibility of thrown objects can be hazardous to persons or property.

RCR25 Series - 10' Medium Duty

RETURN TO INDEX

Pull-Type: 50-110 HP • 3 Point: 60-110 HP



Cutting Width: 9'10"
 Overall Width: 10'3 1/2"
 Cutting Height: 2" - 10 1/2"
 Cutting Capacity: 1 1/2"
 3 Point: Cat. 2 and 3
 Quick Hitch Adaptable
 Pull-Type: Self-Leveling w/Dual Leveling Rods
 Tongue Jack on Pull-Type
 Deck Height: 9 5/8"

Deck Thickness: 10 Gauge
 Side Skirt Thickness: 1/4"
 Gearbox Rating^: Outboard-60 HP; T-Box-100 HP
 Gearbox: 540 rpm
 Beveled Gears
 Cast Iron Housing
 Gearbox Input Shaft: 1 3/4" - 20 Spline
 Output Shaft Diameter: 2"
 Driveline: Cat. 4
 Constant Velocity U-Joint or
 Equal Angle Shaft on Pull-Type
 Slip-Clutch Protection
 Blade Holder: 2 ea., 3/16" Stump Jumper
 Blades: 2 per Blade Holder; 1/2" x 4" Heat Treated
 Free Swinging Suction Blades
 Blade Tip Speed: 17,749 fpm
 Tailwheel: Lift-Type, 2 ea. 4" x 8" x 15 1/4"
 Castered Laminated Tires
 Pull Type: 2 ea. 6" x 9" x 21" Laminated Tires,
 or 5" x 15" Rims or
 7.75" x 15" x 24" Used Aircraft Tires
 Tapered Roller Bearings & Cast Iron Hub
 Replaceable Skids
 Optional Front Chain Guard or Rubber Guard
 Optional Rear Chain Guard or Rubber Guard
 Spring Shock Absorber on Axle of Pull-Type

Rotary Cutters

YOU MUST ADD 11% SURCHARGE TO PRICES AS OF 8/4/21

MODEL NUMBER	DESCRIPTION	APPROX. MACHINE WEIGHT	SHIPPING WEIGHT	LIST PRICE
RCR2510	25 SERIES - 10' ROTARY CUTTER - 540 rpm	1400#	1400#	\$ 7,572
ADD				
OPTION NO.	You Must Choose One Front Guard			
-01	Front Chain Guard (312-751A)	84#	84#	\$ 317
-02	Front Rubber Guard (312-752A)	70#	70#	\$ 288
Choose One Hitch Feature				
-11	3 Point w/Laminated Tires and Driveline	175#	175#	\$ 1,112
-12	Pull-Type	210#	210#	\$ 1,051
Choose One Tire Feature - Pull Type Only				
-21	21" Laminated Tires-Set of 2	150#	150#	\$ 313
-24	Used Aircraft Tires-Set of 2	150#	150#	\$ 420
Pull-Type - Choose One Input Driveline Feature				
-31	540 RPM with Equal Angle Driveline	195#	195#	\$ 1,078
-32	540 RPM with Constant Velocity Driveline	206#	206#	\$ 1,334
You Must Choose One Rear Guard				
-41	Rear Chain Guard (312-503A)	29#	29#	\$ 171
-42	Rear Rubber Guard (312-505A)	40#	40#	\$ 154
Pull-Type - Choose One Height Adjustment				
-51	Ratchet Jack	15#	15#	\$ 140
-52	Hydraulic Cylinder and Hoses	25#	25#	\$ 501
You May Choose a Color Option (No Option=Buckskin)				
-81	Green			
-82	Orange			
-83	Red			

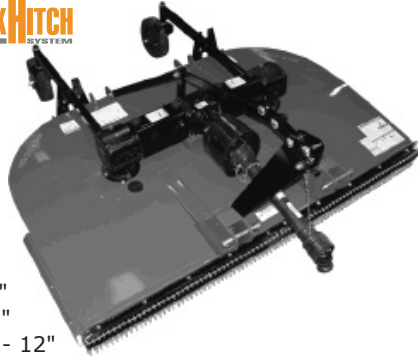
[^]Gearbox HP rating is based on in field use and performance

WARNING! Rotary Cutters used in non-agricultural areas must be equipped with front & rear guards. The possibility of thrown objects can be hazardous to persons or property.

RCF30 Series - 8' Medium Duty

RETURN TO INDEX

Semi-Mount & Pull-Type: 40-110 HP • 3 Point: 50-110 HP



Cutting Width: 96"
 Overall Width: 8'7"
 Cutting Height: 2" - 12"
 Cutting Capacity: 2 1/2"
 3 Point & Semi-Mount: Cat. 1 and 2, Quick Hitch Adaptable
 Pull-Type: Self-Leveling, w/ Dual-Leveling Rods
 Tongue Jack on Pull-Type
 Deck Height: 11 1/4"

Deck Thickness: 10 Gauge
 Side Skirt Thickness: 1/4"
 Gearbox Rating^: Outboard - 130 HP, T-Box - 210 HP
 Gearbox: 540 rpm
 Beveled Gears, Cast Iron Housing
 Gearbox Input Shaft: 1 3/4" - 20 Spline
 Output Shaft Diameter: 2"
 Driveline: Cat. 4
 Equal Angle Driveline on Pull-Type
 Slip-Clutch Protection
 Rubber Flex Coupler to Outboard Boxes
 Blade Holder: 2 ea., 3/16" Stump Jumper
 Blades: 2 per Blade Holder; 1/2" x 4" Heat Treated
 Free Swinging Suction Blades
 Blade Tip Speed: 540 rpm 16,360 fpm
 Tailwheels: See selections below
 Tapered Roller Bearings & Cast Iron Hub
 Replaceable Skids
 Spring Shock Absorber on Pull-Type & Semi-Mount Axle

Rotary Cutters

YOU MUST ADD 11% SURCHARGE TO PRICES AS OF 8/4/21

MODEL NUMBER	DESCRIPTION	WEIGHT	SHIPPING WEIGHT	LIST PRICE
RCF3096	30 SERIES - 8' ROTARY CUTTER - 540 rpm	1200#	1200#	\$ 5,243
ADD OPTION				
NUMBER You Must Choose One Front Guard				
-01	Front Single Chain Guard (326-582A)	70#	70#	\$ 316
-02	Front Rubber Guard (326-573A)	26#	26#	\$ 228
-03	Front Double Chain Guard (326-583A)	99#	99#	\$ 415
Choose One Hitch Feature				
-11	3-Point, 15" Laminated Tires w/Dual Beam Axles	350#	350#	\$ 2,075
-12	Pull-Type with Single Spindle HD Toolbar Axle (choose hitch below)	560#	560#	\$ 2,412
-16	Semi-Mount, HD Toolbar Axle w/two 15" Laminated	420#	420#	\$ 2,298
-17	3-Point, HD Toolbar Axle w/two 15" Laminated	420#	420#	\$ 2,488
Choose One Tire Feature - Pull-Type Only				
-20	21" Laminated Tires - Set of 2	139#	139#	\$ 344
-21	29" Used Aircraft Tires - Set of 2	150#	150#	\$ 503
Choose One Driveline Feature - Pull-Type Only				
-31	Equal Angle Driveline - 540 rpm	75#	75#	\$ 925
-32	Constant Velocity Driveline - 540 rpm	208#	208#	\$ 1,593
You Must Choose One Rear Guard				
-41	Rear Single Chain Guard (326-535A)	28#	28#	\$ 168
-42	Rear Rubber Guard (327-130A)	11#	11#	\$ 154
-43	Rear Double Chain Guard (326-536A)	40#	40#	\$ 421
Choose One Height Adjustment - Not Needed with Option 11				
-51	Ratchet Jack	20#	20#	\$ 140
-52	Hydraulic Cylinder and Hoses - Pull-Type or Semi-Mount Only	40#	40#	\$ 520
-53	Hydraulic Cylinder and Hoses - 3-Point	37#	37#	\$ 520
Choose a Hitch Option - Pull-Type Only				
-71	Swivel Clevis	23#	23#	\$ N/C
-75	Performance Hitch* - Self Leveling, Up and Down and Side to Side Swivel	28#	28#	\$ 307
You May Choose a Color Option (No Option=Buckskin)				
-81	Green			
-82	Orange			
-83	Red			

^Gearbox HP rating is based on in field use and performance
 *If used on Kubota L Series tractor, must order Option -31 Equal Angle Driveline

RCF(M)30 Series - 10' Medium Duty

RETURN TO INDEX

Semi-Mount & Pull-Type: 50-110 HP • 3 Point: 60-110 HP



Cutting Width: 10'
 Overall Width: 10' 6 1/2"
 Cutting Height: 2" - 12"
 Cutting Capacity: 2 1/2"
 3 Point & Semi-Mount: Cat. 2 and 3,
 Quick Hitch Adaptable
 Pull-Type: Self-Leveling
 w/Dual Leveling Rods
 Tongue Jack on Pull-Type
 Deck Height: 11 1/2"
 Deck Thickness: 10 Gauge
 Side Skirt Thickness: 1/4"
 Gearbox Rating^: Outboard-130 HP; T-Box - 210 HP
 Gearbox: 540 rpm or 1,000 rpm
 Beveled Gears
 Cast Iron Housing

Gearbox Input Shaft: 1 3/4" - 20 Spline
 Output Shaft Diameter: 2"
 Driveline: Cat. 4
 Constant Velocity U-Joint or
 Equal Angle Shaft on Pull-Type
 Slip-Clutch Protection
 Rubber Flex Coupler to Outboard Boxes
 Blade Holder: 2 ea., 3/16" Stump Jumper
 Blades: 2 per Blade Holder; 1/2" x 4" Heat Treated
 Free Swinging Suction Blades
 Blade Tip Speed: 540 rpm - 17,100 fpm
 1000 rpm - 17,300 fpm
 Tailwheels: See selections below
 Tapered Roller Bearings & Cast Iron Hub
 Replaceable Skids
 Spring Shock Absorber on Pull-Type & Semi-Mount Axle

Rotary Cutters

YOU MUST ADD 11% SURCHARGE TO PRICES AS OF 8/4/21

MODEL NUMBER	DESCRIPTION	APPROX. MACHINE WT	SHIPPING WEIGHT	LIST PRICE
RCF3010	30 SERIES - 10' ROTARY CUTTER - 540 rpm	1587#	1587#	\$ 7,029
RCFM3010	30 SERIES - 10' ROTARY CUTTER - 1000 rpm	1587#	1587#	\$ 7,029
ADD				
OPTION NO.	You Must Choose One Front Guard			
-01	Front Single Chain Guard (327-090A)	87#	87#	\$ 350
-02	Front Rubber Guard (327-096A)	31#	31#	\$ 280
-03	Front Double Chain Guard (327-093A)	124#	124#	\$ 466
Choose One for 3-Point or Semi-Mount, and Tires				
-11	3 Point w/15" Laminated Tires and Driveline	416#	416#	\$ 2,144
-13	Semi-Mount w/21" Laminated Tires	504#	504#	\$ 2,807
-15	3 Point w/21" Laminated Tires	604#	604#	\$ 2,741
-16	Semi-Mount w/15" Laminated Tires	402#	402#	\$ 1,934
Choose One for Pull Type, and Tires (must choose hitch below)				
-12-20	21" Laminated Tires - Set of 2	544#	544#	\$ 2,228
-12-21	29" Used Aircraft Tires - Set of 2	555#	555#	\$ 2,387
-14-25	21" Laminated Tires - Set of 4	708#	708#	\$ 2,920
Pull-Type - Choose One Input Driveline Feature				
-31	Pull-Type with Equal Angle Driveline	138#	167#	\$ 1,078
-32	Pull-Type with Constant Velocity Driveline	120#	160#	\$ 1,593
You Must Choose One Rear Guard				
-41	Rear Single Chain Guard (326-462A)	35#	35#	\$ 197
-42	Rear Rubber Guard (326-525A)	7#	7#	\$ 179
-43	Rear Double Chain Guard (326-463A)	50#	50#	\$ 421
Choose One Height Adjustment				
-51	Ratchet Jack - Pull-type, Semi-Mount, 3-Point	20#	20#	\$ 140
-52	Hydraulic Cylinder and Hoses - Pull-Type, Semi-Mount	37#	40#	\$ 520
-53	Hydraulic Lift - 3 Point only	37#	37#	\$ 520
Choose a Hitch Option - Pull-Type Only				
-71	Swivel Clevis	23#	23#	\$ N/C
-75	Performance Hitch* - Self Leveling, Up and Down and Side to Side Swivel	28#	28#	\$ 307
You May Choose a Color Option (No Option=Buckskin)				
-81	Green			
-82	Orange			
-83	Red			

temporarily suspended

WARNING! Rotary Cutters used in non-agricultural areas must be equipped with front & rear guards. The possibility of thrown objects can be hazardous to persons or property.

^Gearbox HP rating is based on in field use and performance
 *If used on Kubota L Series tractor, must order Option -31 Equal Angle Driveline

RCF(M)36 Series - 8' Heavy Duty

RETURN TO INDEX

Semi-Mount: 40-130 HP • Pull-Type: 50-130 HP • 3 Point: 50-130 HP



Cutting Width: 8'
 Overall Width: 8' 7"
 Cutting Height: 2" - 12"
 Cutting Capacity: 3"
 3 Point, Semi-Mount: Cat. 1 & 2, Quick Hitch Adaptable
 Pull-Type: Self-Leveling w/ Dual-Leveling Rods
 Tongue Jack on Pull-Type
 Deck Height: 13"
 Deck Thickness: 10 Gauge; Side Skirt Thickness: 1/4"
 Gearbox Rating^: Outboard - 210 HP; T-Box - 210 HP
 Gearbox: 540 rpm or 1,000 rpm
 Beveled Gears, Cast Iron Housing

Gearbox Input Shaft: 1 3/4" - 20 Spline
 Output Shaft Diameter: 2 3/8"
 Driveline: Cat. 4; Equal Angle Shaft on Pull-Type
 Slip-Clutch Protection
 Rubber Flex Coupler to Wing Boxes
 Blade Holder: 2 ea., 3/16" Stump Jumper
 Blades: 2 per Blade Holder; 1/2" x 4" Heat Treated
 Free Swinging Suction Blades
 Blade Tip Speed: 540 rpm - 17,100 fpm
 1000 rpm - 17,375 fpm
 Tailwheels: See selections below
 Tapered Roller Bearings & Cast Iron Hub
 Replaceable Skids
 Spring Shock Absorber on Pull-Type & Semi-Mount Axle

Rotary Cutters

YOU MUST ADD 11% SURCHARGE TO PRICES AS OF 8/4/21

MODEL NUMBER	DESCRIPTION	APPROX. MACHINE WT	SHIPPING WEIGHT	LIST PRICE
RCF3696	36 SERIES - 8' ROTARY CUTTER - 540 rpm	1393#	1393#	\$ 6,392
RCFM3696	36 SERIES - 8' ROTARY CUTTER - 1000 rpm	1393#	1393#	\$ 6,392
ADD OPTION				
NUMBER You Must Choose One Front Guard				
-01	Front Single Chain Guard (326-541A)	72#	72#	\$ 316
-02	Front Rubber Guard (326-543A)	32#	32#	\$ 228
-03	Front Double Chain Guard (326-542A)	100#	100#	\$ 415
Choose One Hitch Feature				
-11	3-Point, 15" Laminated with Dual Beam Axles, includes Driveline	346#	346#	\$ 2,043
-12	Pull-Type with Single Spindle HD Toolbar Axle (choose hitch below)	560#	560#	\$ 2,265
-13	Semi-Mount, HD Toolbar Axle w/two 21" Laminated, includes Driveline	524#	524#	\$ 2,807
-14	Pull-Type with Dual Spindle HD Toolbar Axle (choose hitch below)	578#	578#	\$ 2,412
-16	Semi-Mount, HD Toolbar Axle w/two 15" Laminated, includes Driveline	420#	420#	\$ 2,298
-17	3-Point, HD Toolbar Axle w/two 15" Laminated, includes Driveline	420#	420#	\$ 2,540
-18	3-Point, HD Toolbar Axle w/two 21" Laminated, includes Driveline	524#	524#	\$ 3,815
Choose One Tire Feature - Pull-Type Only				
-20	21" Laminated Tires - Set of 2	139#	139#	\$ 344
-21	29" Used Aircraft Tires - Set of 2	150#	150#	\$ 503
-24	25.5" New Foam Filled Tires - Set of 2	192#	192#	\$ 847
-25	21" Laminated Tires - Set of 4	278#	278#	\$ 687
-27	29" Used Aircraft Tires - Set of 4	300#	300#	\$ 1,013
-28	25.5" New Foam Filled Tires - Set of 4	384#	384#	\$ 1,691
Choose One Driveline Feature - Pull-Type Only				
-31	Equal Angle Driveline - 540 or 1000 rpm	75#	75#	\$ 925
-32	Constant Velocity Driveline - 540 or 1000 rpm	210#	210#	\$ 1,678
You Must Choose One Rear Guard				
-41	Rear Single Chain Guard (326-535A)	28#	28#	\$ 168
-42	Rear Rubber Guard (326-545A)	5#	5#	\$ 154
-43	Rear Double Chain Guard (326-536A)	40#	40#	\$ 421
Choose One Height Adjustment- Not Needed with Option 11				
-51	Ratchet Jack	20#	20#	\$ 140
-52	Hydraulic Cylinder and Hoses - Pull-Type or Semi-Mount Only	37#	37#	\$ 520
-53	Hydraulic Cylinder and Hoses - 3-Point, HD Tool Bar Axle	37#	37#	\$ 520
Choose a Hitch Option - Pull-Type Only				
-71	Swivel Hitch	23#	23#	\$ N/C
-75	Performance Hitch* - Self Leveling, Up and Down and Side to Side Swivel	28#	28#	\$ 307
You May Choose a Color Option (No Option=Buckskin)				
-81	Green			
-82	Orange			
-83	Red			

^Gearbox HP rating is based on in field use and performance

*If used on Kubota L Series tractor, must order Option -31 Equal Angle Driveline

temporarily suspended

RCF(M)36 Series - 10' Heavy Duty

RETURN TO INDEX

Semi-Mount & Pull-Type: 50-130 HP • 3 Point: 60-130 HP



Cutting Width: 10'
 Overall Width: 10' 6 1/2"
 Cutting Height: 2" - 12"
 Cutting Capacity: 3"
 3 Point, Semi-Mount: Cat. 2 and 3
 Quick Hitch Adaptable
 Pull-Type - Self-Leveling w/ Dual-Leveling Rods
 Tongue Jack on Pull-Type
 Deck Height: 13"
 Deck Thickness: 10 Gauge
 Side Skirt Thickness: 1/4"
 Gearbox Rating^: Outboard-210 HP; T-Box - 210 HP
 Gearbox: 540 rpm or 1,000 rpm

Beveled Gears, Cast Iron Housing
 Gearbox Input Shaft: 1 3/4" - 20 Spline
 Output Shaft Diameter: 2 3/8"
 Driveline: Cat. 4 Constant Velocity U-Joint
 or Equal Angle Shaft on Pull-Type
 Slip-Clutch Protection
 Rubber Flex Coupler to Outboard Boxes
 Blade Holder: 2 ea., 3/16" Stump Jumper
 Blades: 2 per Blade Holder; 1/2" x 4" Heat Treated
 Free Swinging Suction Blades
 Blade Tip Speed: 540 rpm - 17,150 fpm
 1000 rpm - 17,425 fpm
 Tailwheels: See selections below
 Tapered Roller Bearings & Cast Iron Hub
 Replaceable Skids
 Spring Shock Absorber on Pull-Type & Semi-Mount Axle

Rotary Cutters

YOU MUST ADD 11% SURCHARGE TO PRICES AS OF 8/4/21

MODEL NUMBER	DESCRIPTION	APPROX. MACHINE WT	SHIPPING WEIGHT	LIST PRICE
RCF3610	36 SERIES - 10' ROTARY CUTTER - 540 rpm	1669#	1669#	\$ 8,930
RCFM3610	36 SERIES - 10' ROTARY CUTTER - 1000 rpm	1669#	1669#	\$ 8,930
ADD				
OPTION NO.	Choose One Front Guard			
-01	Front Single Chain Guard (326-437A)	89#	89#	\$ 350
-02	Front Rubber Guard (326-524A)	39#	39#	\$ 280
-03	Front Double Chain Guard (326-440A)	125#	125#	\$ 466
Choose One For 3-Point or Semi-Mount				
-11	3-Point w/15" Laminated Tires and Driveline	497#	497#	\$ 2,488
-13	Semi-Mount Hitch w/21" Laminated Tires and Driveline	539#	539#	\$ 3,127
-15	3-Point w/21" Laminated Tires and Driveline	601#	601#	\$ 3,381
-16	Semi-Mount w/15" Laminated Tires and Driveline	436#	436#	\$ 2,298
Choose One For Pull-Type (must choose hitch below)				
-12-31	Pull-Type w/ Equal Angle Input Driveline - Single wheel axle	576#	576#	\$ 3,344
-12-32	Pull-Type w/ Constant Velocity Input Driveline - Single wheel axle	648#	648#	\$ 3,784
-14-31	Pull-Type w/ Equal Angle Input Driveline - Dual wheel axle	604#	604#	\$ 3,503
-14-32	Pull-Type w/ Constant Velocity Input Driveline - Dual wheel axle	676#	676#	\$ 3,943
Choose One Tire Feature - Pull-Type Only				
-20	21" Laminated Tires - Set of 2	139#	139#	\$ 344
-21	29" Used Aircraft Tires - Set of 2	150#	150#	\$ 503
-24	24" Foam Filled Used Aircraft Tires - Set of 2	192#	192#	\$ 847
-25	21" Laminated Tires - Set of 4	278#	278#	\$ 687
-27	29" Used Aircraft Tires - Set of 4	300#	300#	\$ 1,013
-28	24" Foam Filled Used Aircraft Tires - Set of 4	384#	384#	\$ 1,691
Choose One Rear Guard				
-41	Rear Single Chain Guard (326-462A)	35#	35#	\$ 197
-42	Rear Rubber Guard (326-525A)	7#	7#	\$ 179
-43	Rear Double Chain Guard (326-463A)	50#	50#	\$ 421
Choose One Height Adjustment				
-51	Ratchet Jack- Pull-Type, Semi-Mount, 3-Point	20#	20#	\$ 140
-52	Hydraulic Cylinder and Hoses-Pull-type, Semi-Mount	37#	37#	\$ 520
-53	Hydraulic Cylinder and Hoses - 3-Point only	38#	38#	\$ 520
Choose a Hitch Option - Pull-Type Only				
-71	Swivel Hitch	23#	23#	\$ N/C
-75	Performance Hitch* - Self Leveling, Up and Down and Side to Side Swivel	28#	28#	\$ 307
You May Choose a Color Option (No Option=Buckskin)				
-81	Green			
-82	Orange			
-83	Red			

^Gearbox HP rating is based on in field use and performance

*If used on Kubota L Series tractor, must order Option -31 Equal Angle Driveline

temporarily suspended

RCFM40 Series - 14' Extra Heavy Duty

RETURN TO INDEX

80-250 HP



Cutting Width: 14' 0"
 Overall Width: 14' 6 1/2"
 Overall Length: 10' 1/2"
 Hitch: 3-Point Cat. 2 & 3
 Cutting Height: 2" - 12"
 Cutting Capacity: 3"
 Deck Height: 12"
 Deck Thickness: 10 Gauge
 Side Skirt Thickness: 1/4"

Gearbox Rating^: T-Box 250 HP; Outboard Boxes 210 HP
 Gearbox: 1000 rpm, Input Shaft: 1 3/4" 20 Spline
 Gearbox Output Shaft: 1 3/4" 20 Spline
 Height Adjustment: 12 Position Adjustable Collar
 Input Driveline: 1 3/8" or 1 3/4" Cat. 5, Splined; 1000 RPM, 4-plate Slip Clutch
 Connecting Driveline Option: Cat. 4 with Spring Loaded Flex Coupler
 Blades Options:
 Dish Pan: 1/2" x 4" Heat Treated Free-Swinging Suction Blades w/3/16" Round Stump Jumper
 Shredder Kit, 30" Rows: Double Stacked Shredder Blades w/ Fixed Knives & Baffles
 Shredder Kit, 38" & 40" Rows: Double Stacked Shredder Blades w/Fixed Knives & Baffles
 Shredder Kit, NO Fixed Blades: Double Stacked Shredder Blades with Baffles, Works on any Row Width
 Blade Bolt: Keyed with Hardened Flatwasher & Lock Nut
 Blade Overlap: 3"
 Blade Speed: 15,000 fpm
 Tire Options: 2 or 3, 6" x 9" x 21" Laminated Tires, Tapered Roller Bearings & Cast Iron Hubs
 Skid Shoes: Replaceable and Reversible
 Optional Front Shielding: Single Chain or Rubber Guard
 Optional Rear Shielding: Single Chain, Rubber, or Metal Guard
 Standard Light Kit - 6 pin hook-up connector, front-facing amber lights; rear-facing amber & red lights

Rotary Cutters

YOU MUST ADD 11% SURCHARGE TO PRICES AS OF 8/4/21

temporarily suspended

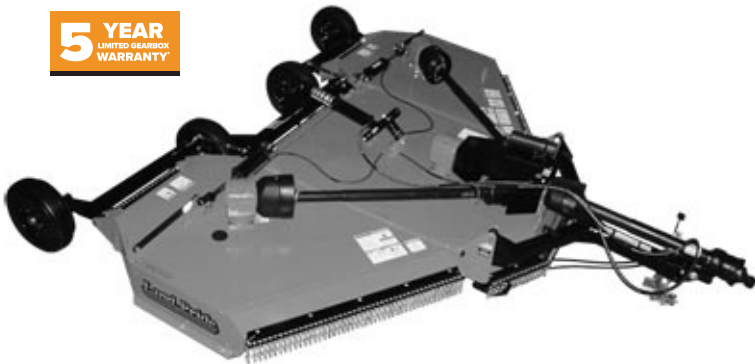
MODEL NUMBER	DESCRIPTION	APPROX. MACHINE WEIGHT	SHIPPING WEIGHT	LIST PRICE
RCFM4014	40 SERIES - 14' 3-POINT 3-SPINDLE ROTARY CUTTER	3095#	3095#	\$ 10,554
ADD				
OPTION NO. You MUST Choose a FRONT GUARD				
-01	Front Chain Guard (326-698A)	125#	125#	\$ 317
-02	Front Rubber Guard (326-696A)	90#	90#	\$ 199
You MUST Choose a TAILWHEEL				
-12	2 Laminated Tailwheels	416#	416#	\$ 1,970
-13	3 Laminated Tailwheels	632#	632#	\$ 2,949
You MUST Choose a BLADE OPTION				
-21	Dish Pans	275#	275#	\$ 1,489
-22	Shredder Kit, Fixed Blades, Baffles, 30" Row	396#	396#	\$ 2,545
-23	Shredder Kit, Fixed Blades, Baffles, 38" and 40" Row	400#	400#	\$ 2,545
-24	Shredder Kit, NO Fixed Blades, Baffles	340#	340#	\$ 2,091
You MUST Choose a DRIVELINE				
-31	1 3/8", 1000 RPM 21 Spline	68#	68#	\$ 727
-32	1 3/4", 1000 RPM 20 Spline	68#	68#	\$ 727
You MUST Choose a REAR GUARD				
-41	Rear Chain Guard (326-693A)	89#	89#	\$ 312
-42	Rear Rubber Guard (326-692A)	16#	16#	\$ 142
-45	Rear Metal Band (326-691A)	42#	42#	\$ 156
Color Options (No Option=Buckskin)				
-81	Green			
-82	Orange			
-83	Red			

^Gearbox HP rating is based on in field use and performance

RC2512 - 12' Medium Duty Smooth Top

RETURN TO INDEX

40-100 HP



Rotary Cutters

Working Width: 12'
 Transport Width: 7'11"
 Overall Width: 12'7"
 Overall Length: 13'3"
 Hitch: Pull-Type, Self-Leveling Hitch & Clevis
 Hitch Weight: 793 lbs.
 Tongue Jack
 Cutting Height: 1 1/2" - 12"
 Cutting Capacity: 1 1/2"
 Deck Height: 11"
 Deck Thickness: 10 Gauge

Side Skirt Thickness: 3/16 Plate
 Gearbox Rating^: 160 HP Divider; 100 HP Center & Wings
 Gearbox: 540 rpm
 Gearbox Input Shaft: 1 3/8" 6 Spline
 Gearbox Output Shaft: 1 1/2"
 Input Driveline: Constant Velocity U-Joint, Cat. 4
 Connecting Driveline: Cat. 3 Slip-Clutch
 Stump-Jumper: 10 Gauge, Round, Dish Shaped
 Blades: 2 per Section, 1/2" x 3" Heat Treated
 Free Swinging Alloy Steel with Uplift
 Blade Bolt: Keyed with Hardened Flatwasher
 & Lock Nut
 Blade Overlap: 6"
 Blade Speed: Center: 16,500 fpm, Wings: 16,000 fpm
 Wheels: 4
 20.5" x 6.75" Used Aircraft Tires or
 6" x 9" x 21" Laminated Tires
 Tapered Roller Bearings & Cast Iron 5-Bolt Hubs
 with 1 3/4" Shaft
 Wing Transport Locks
 Wing Hydraulics: 2" x 8" Cylinder, Hoses & Fittings
 Height Adjustments: 2 1/2" x 8" Cylinder, Hose, Fittings
 & Stroke Control Spacers
 Skid Shoes: Wings & Center, Replaceable
 Front and Rear Chain Shielding
 Blade Rotation: L-CCW, C-CCW, R-CW
 Lights Standard

YOU MUST ADD 11% SURCHARGE TO PRICES AS OF 8/4/21

MODEL NUMBER	DESCRIPTION	APPROX. MACHINE WEIGHT	SHIPPING WEIGHT	LIST PRICE
RC2512-20	12' ROTARY CUTTER - 540 rpm Front and Rear Chain Guards 4 ea. Aircraft Tires Constant Velocity Input Driveline	2575#	2575#	\$ 15,755
RC2512-21	12' ROTARY CUTTER - 540 rpm Front and Rear Chain Guards 4 ea. Laminated Tires Constant Velocity Input Driveline	2618#	2618#	\$ 15,755
<u>YOU MUST CHOOSE A HITCH</u>				
-71	Swivel Clevis	23#	23#	\$ 0
-75	Performance Hitch - Self Leveling, Up and Down and Side to Side Swivel	60#	60#	\$ 307
*** (Option 75 is <u>NOT</u> compatible with Kubota L/Grand L Tractors) ***				
<u>ADD OPTION NO. COLOR OPTIONS (No Option=Buckskin)</u>				
-82	Orange			
<u>ACCESSORY AVAILABLE THROUGH THE PARTS DEPARTMENT</u>				
330-760K	Hydraulic Kit for raising wings independently of the cutting height cylinder Requires 2 sets of hydraulic outlets			\$ 90

WARNING! Rotary Cutters used in non-agricultural areas must be equipped with front & rear guards. The possibility of thrown objects can be hazardous to persons or property.

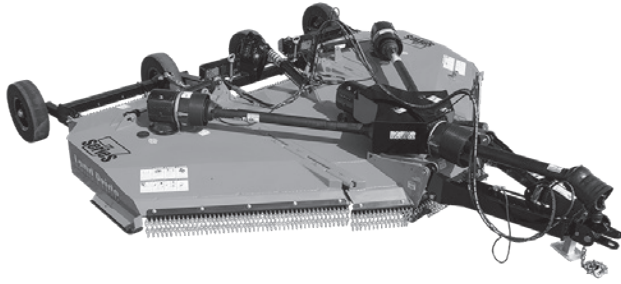
^Gearbox HP rating is based on in field use and performance

RC3712 - 12' Heavy Duty Smooth Top

RETURN TO INDEX

50-160 HP

5 YEAR
LIMITED GEARBOX
WARRANTY



Working Width: 12'
Transport Width: 9'4"
Overall Width: 12'10"
Overall Length: 15'3"
Hitch: Pull-Type, Self-Leveling Hitch & Clevis
Hitch Weight: 1,370 lbs.
Tongue Jack
Cutting Height: 1½" - 14"*
Cutting Capacity: 3"
Deck Height: 11"
Deck Thickness: 10 Gauge

Side Skirt Thickness: 1/4"
Gearbox Rating[^]: 160 HP Divider; 130 HP Center & Wings
Gearbox: 540 rpm or 1000 rpm
Gearbox Input Shaft: 1¾" 20 Spline
Gearbox Output Shaft: 2"
Input Driveline: Constant Velocity U-Joint, Cat. 6
Connecting Driveline: Cat. 4
Stump-Jumper: 3/16", Round
Blades: 2 per Section, 1/2" x 4" Heat Treated
Free Swinging Alloy Steel with Uplift
Blade Bolt: Keyed with Hardened Flatwasher
& Lock Nut
Blade Overlap: 6"
Blade Speed
540: Center: 15,514 fpm, Wings: 15,474 fpm
1000: Center: 15,700 fpm, Wings: 15,707 fpm
Wheels: 4 or 6
25.5" x 6.75" Aircraft Tires or 21" Laminated Tires
Tapered Roller Bearings & Cast Iron 5-Bolt Hubs
with 1¾" Shaft
Wing Transport Locks
Wing Hydraulics: 2½" x 12" Cylinder, Hoses & Fittings
Height Adjustments: 3" x 8"
Skid Shoes: Wings & Center, Replaceable
Front and Rear Single or Double Chain Shielding
Blade Rotation: L-CW, C-CCW, R-CCW
Lights Standard

Rotary Cutters

YOU MUST ADD 11% SURCHARGE TO PRICES AS OF 8/4/21

SEE NEXT PAGE FOR PRICING.

*Varies by Tire Option

See pg. 34 for pricing and color options

See pg. 69 for available hitches

[^]Gearbox HP rating is based on in field use and performance

WARNING!
Rotary Cutters used in non-agricultural areas must be equipped with front & rear guards. The possibility of thrown objects can be hazardous to persons or property.

RC3712 - 12' Heavy Duty Smooth Top

RETURN TO INDEX

YOU MUST ADD 11% SURCHARGE TO PRICES AS OF 8/4/21

Rotary Cutters

MODEL NUMBER	DESCRIPTION	APPROX. MACHINE WEIGHT	SHIPPING WEIGHT	LIST PRICE
RC3712	12' HEAVY DUTY ROTARY CUTTER - 540 rpm	3620#	3620#	\$ 17,388
RCM3712	12' HEAVY DUTY ROTARY CUTTER - 1000 rpm	3620#	3620#	\$ 17,388
OPTIONS				
<u>You Must Choose a Tire Package</u>				
-01	21" Laminate, 2 Center, Single Wings	280#	280#	\$ 575
-02	21" Laminate, 4 Center, Single Wings	420#	420#	\$ 1,036
-04	25.5" Aircraft, 2 Center, Single Wings	348#	348#	\$ 1,479
-05	25.5" Aircraft, 4 Center, Single Wings	522#	522#	\$ 2,370
<u>You Must Choose a Driveline</u>				
-32	540 1-3/8", 6 Spline CV Main, Cat. 6; Wings Cat. 4	78#	78#	\$ 899
-32	1000 1-3/8", 21 Spline CV Main, Cat. 6; Wings Cat. 4	78#	78#	\$ 899
<u>You Must Choose a Chain Guard</u>				
-40	Single Chain - Front & Rear	102#	102#	\$ 530
-41	Double Chain - Front & Rear	156#	156#	\$ 757
<u>You Must Choose a Hitch</u>				
-70	Fixed Clevis Hitch	46#	46#	\$ 226
-75	Performance Hitch - Self Leveling, Up and Down and Side to Side Swivel	62#	62#	\$ 384
*** (Option 75 is <u>NOT</u> compatible with Kubota L/Grand L Tractors) ***				
ADD				
<u>OPTION NO.</u>	<u>You May Choose a Color Option (No Option=Buckskin)</u>			
-82	Orange			

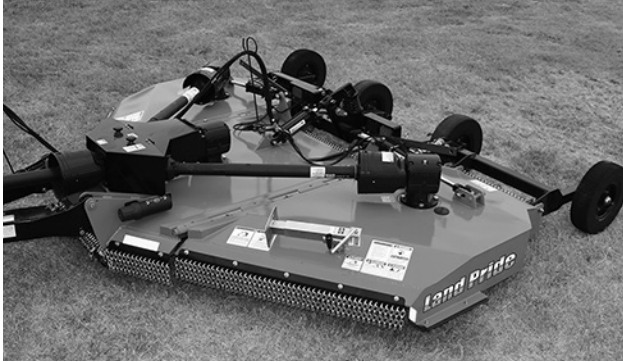
RCG3712 - 12' Heavy Duty Galvanized

RETURN TO INDEX

50-160 HP

Rotary Cutters

5 YEAR LIMITED GEARBOX WARRANTY
10 YEAR RUST THROUGH DECK WARRANTY



Hot-dipped Zinc Galvanized Deck
Working Width: 12'
Transport Width: 9'4"
Overall Width: 12'10"
Overall Length: 15'3"
Hitch: Pull-Type, Self-Leveling Hitch & Clevis
Hitch Weight: 1,370 lbs.
Tongue Jack
Cutting Height: 1½" - 14"*
Cutting Capacity: 3"
Deck Height: 11"

Deck Thickness: 10 Gauge
Side Skirt Thickness: 1/4"
Gearbox Rating^: 160 HP Divider; 130 HP Center & Wings
Gearbox: 540 rpm or 1000 rpm
Gearbox Input Shaft: 1¾" 20 Spline
Gearbox Output Shaft: 2"
Input Driveline: Constant Velocity U-Joint, Cat. 6
Connecting Driveline: Cat. 4
Stump-Jumper: 3/16", Round
Blades: 2 per Section, ½" x 4" Heat Treated
Free Swinging Alloy Steel with Uplift
Blade Bolt: Keyed with Hardened Flatwasher & Lock Nut
Blade Overlap: 6"
Blade Speed
540: Center: 15,514 fpm, Wings: 15,474 fpm
1000: Center: 15,700 fpm, Wings: 15,707 fpm
Wheels: 4 or 6
25.5" x 6.75" Aircraft Tires, Pneumatic, or 21" Laminated Tires
Tapered Roller Bearings & Cast Iron 5-Bolt Hubs with 1¾" Shaft
Wing Transport Locks
Wing Hydraulics: 2½" x 12" Cylinder, Hoses & Fittings
Height Adjustments: 3" x 8"
Skid Shoes: Wings & Center, Replaceable
Front and Rear Single or Double Chain Shielding
Blade Rotation: L-CW, C-CCW, R-CCW
Lights Standard

YOU MUST ADD 11% SURCHARGE TO PRICES AS OF 8/4/21

SEE NEXT PAGE FOR PRICING.

*Varies by Tire Option

See pg. 36 for pricing and color options

See pg. 36 for available hitches

^Gearbox HP rating is based on in field use and performance

WARNING!
Rotary Cutters used in non-agricultural areas must be equipped with front & rear guards. The possibility of thrown objects can be hazardous to persons or property.

RCG3712 - 12' Heavy Duty Galvanized

RETURN TO INDEX

YOU MUST ADD 11% SURCHARGE TO PRICES AS OF 8/4/21

Rotary Cutters



temporarily suspended

temporarily suspended

MODEL NUMBER	DESCRIPTION	APPROX. MACHINE WEIGHT	SHIPPING WEIGHT	LIST PRICE
RCG3712	12' HEAVY DUTY GALVANIZED ROTARY CUTTER - 540 rpm	3,795#	3,795#	\$ 18,703
RCGM3712	12' HEAVY DUTY GALVANIZED ROTARY CUTTER - 1000 rpm	3,795#	3,795#	\$ 18,703
OPTIONS				
You Must Choose a Tire Package				
-01	21" Laminate, 2 Center, Single Wings	280#	280#	\$ 575
-02	21" Laminate, 4 Center, Single Wings	420#	420#	\$ 1,036
-04	25.5" Aircraft, 2 Center, Single Wings	348#	348#	\$ 1,479
-05	25.5" Aircraft, 4 Center, Single Wings	522#	522#	\$ 2,370
You Must Choose a Driveline				
-32	540 1-3/8", 6 Spline CV Main, Cat. 6 Wings	78#	78#	\$ 899
-32	1000 1-3/8", 21 Spline CV Main, Cat. 6 Wings	78#	78#	\$ 899
You Must Choose a Chain Guard				
-40	Single Chain - Front & Rear	102#	102#	\$ 530
-41	Double Chain - Front & Rear	156#	156#	\$ 757
You Must Choose a Hitch				
-70	Fixed Clevis Htch	46#	46#	\$ 226
-75	Performance Hitch - Self Leveling, Up and Down and Side to Side Swivel	62#	62#	\$ 384
*** (Option 75 is NOT compatible with Kubota L/Grand L Tractors) ***				

RC2515 - 15' Medium Duty Smooth Top

[RETURN TO INDEX](#)

50-100 HP



Working Width: 15'
 Transport Width: 8'4"
 Overall Width: 15'7"
 Overall Length: 15'6"
 Hitch: Pull-Type, Self-Leveling Hitch & Clevis
 Hitch Weight: 1,123 lbs.
 Tongue Jack
 Cutting Height: 2" - 13"
 Cutting Capacity: 1 1/2"
 Deck Height: 11"
 Deck Thickness: 10 Gauge
 Side Skirt Thickness: 1/4" Plate

Gearbox Rating^: 160 HP Divider; 100 HP Center & Wings
 Gearbox: 540 rpm
 Gearbox Input Shaft: 1 3/8" 6 Spline
 Gearbox Output Shaft: 1 5/8"
 Input Driveline: Constant Velocity U-Joint, Cat. 4
 Connecting Driveline: Cat. 3 Slip-Clutch
 Stump-Jumper: 10 Gauge, Round, Dish Shaped
 Blades: 2 per Section, 1/2" x 4" Heat Treated
 Free Swinging Alloy Steel with Uplift
 Blade Bolt: Keyed with Hardened Flatwasher & Lock Nut
 Blade Overlap: 6"
 Blade Speed: Center & Wings: 15,000 fpm
 Wheels: 4 or 6
 29" x 7.7" x 15" Used Aircraft Tires or
 6" x 9" x 21" Laminated Tires
 Tapered Roller Bearings & Cast Iron 5-Bolt Hubs
 with 1 3/4" Shaft
 Wing Transport Locks
 Wing Hydraulics: 2" x 10" Cylinder, Hoses & Fittings
 Height Adjustments: 2 1/2" x 8" Cylinder, Hose, Fittings
 & Stroke Control Spacers
 Skid Shoes: Wings & Center, Replaceable
 Front and Rear Shielding: Single Row Chain or Rubber
 Requires Two Hydraulic Remotes
 Lights Standard

Rotary Cutters

YOU MUST ADD 11% SURCHARGE TO PRICES AS OF 8/4/21

MODEL NUMBER	DESCRIPTION	APPROX. MACHINE WEIGHT	SHIPPING WEIGHT	LIST PRICE
RC2515	15' ROTARY CUTTER - 540 rpm	2652#	2652#	\$ 12,904
ADD OPTION NO. YOU MUST CHOOSE ONE FRONT GUARD				
-01	Single Row Chain (331-087A)	114#	114#	\$ 395
CHOOSE ONE TIRE & AXLE ASSEMBLY				
-12	21" Laminated, 4 Center, 2 Wing	518#	518#	\$ 3,216
-14	29" Aircraft, 4 Center, 2 Wing	594#	594#	\$ 3,563
-16	21" Laminated, 2 Center, 2 Wing	380#	380#	\$ 2,701
-18	29" Aircraft, 2 Center, 2 Wing	389#	389#	\$ 2,928
YOU MUST CHOOSE ONE REAR GUARD				
-41	Single Row Chain (331-088A)	72#	72#	\$ 371
ADD OPTION NO. COLOR OPTIONS (No Option=Buckskin)				
-82	Orange			

[^]Gearbox HP rating is based on in field use and performance

WARNING! Rotary Cutters used in non-agricultural areas must be equipped with front & rear guards. The possibility of thrown objects can be hazardous to persons or property.

RC3715 - 15' Medium Duty Smooth Top

RETURN TO INDEX

50-160 HP



Rotary Cutters



Working Width: 15'
 Transport Width: 10'3"
 Overall Width: 15'10"
 Overall Length: 16'3"
 Hitch: Pull-Type, Self-Leveling Hitch & Clevis
 Tongue Jack
 Cutting Height: 1 1/2" - 16"*
 Cutting Capacity: 3"
 Deck Height: 12"
 Deck Thickness: 10 Gauge
 Side Skirt Thickness: 1/4"

Gearbox Rating^: 160 HP Divider; 130 HP Center & Wings
 Gearbox: 540 or 1000 rpm
 Gearbox Input Shaft: 1 3/4" 20 Spline
 Gearbox Output Shaft: 2"
 Input Driveline: Constant Velocity U-Joint Cat. 6, Splined
 540 or 1000 RPM
 Connecting Driveline: Cat. 4 Slip-Clutch
 Stump-Jumper: 3/16", Round, Dish Shaped
 Blades: 2 per Section, 1/2" x 4" Heat Treated
 Free Swinging Alloy Steel with Uplift
 Blade Bolt: Keyed with Hardened Flatwasher & Lock Nut
 Blade Overlap: 6"
 Blade Speed:
 540 rpm: Center: 15,268 fpm, Wings: 15,000 fpm
 1000 rpm: Center: 15,578 fpm, Wings: 14,620 fpm
 4 or 6 Wheels, with Spring-Cushioned Center Axle
 Wheel Options:
 6" x 21" Laminated Tires
 29" x 7.75" x 15" Used Aircraft Tires
 25.5" x 8" x 14" New 20-Ply Foam Filled Aircraft Tires
 Tapered Roller Bearings & Cast Iron 5-Bolt Hubs
 with 1 3/4" Shaft
 Wing Transport Locks
 Wing Hydraulics: 2 1/2" x 12" Cylinder, Hoses & Fittings
 Height Adjustments: 3" x 8" Cylinder, Hose & Fittings
 Skid Shoes: Wings & Center, Replaceable
 Front and Rear Shielding: Single or Double Chain
 Blade Rotation: L-CW, C-CCW, R-CCW
 Lights Standard

YOU MUST ADD 11% SURCHARGE TO PRICES AS OF 8/4/21

MODEL NUMBER	DESCRIPTION	APPROX. MACHINE WEIGHT	SHIPPING WEIGHT	LIST PRICE
RC3715 -01-32-40-60-65-70	15' ROTARY CUTTER - 540 rpm 4 21" Laminated Tires (01) CV Driveline with Cat 4 Wings (32) Single Chains - Front & Rear (40) Without Deck Rings (60) Single Acting Fold Cylinder (65) Fixed Clevis Hitch (70)	5107#	5107#	\$ 19,984
RC3715 -08-32-40-60-65-75	15' ROTARY CUTTER - 540 rpm 6 29" Used Aircraft Tires (08) CV Driveline with Cat 4 Wings (32) Single Chains - Front & Rear (40) Without Deck Rings (60) Single Acting Fold Cylinder (65) Performance Hitch (75)	5275#	5275#	\$ 21,086

*Varies by Tire Option
 ^Gearbox HP rating is based on in field use and performance
 See pg. 41 for optional pricing and color options
 See pg. 68 for available hitches

WARNING!
 Rotary Cutters used in non-agricultural areas must be equipped with front & rear guards. The possibility of thrown objects can be hazardous to persons or property.

RC3715 - 15' Medium Duty Smooth Top

RETURN TO INDEX

50-160 HP

5 YEAR
LIMITED WARRANTY

YOU MUST ADD 11% SURCHARGE TO PRICES AS OF 8/4/21

Rotary Cutters

TO BUILD A UNIT NOT LISTED IN THE CONFIGURED UNIT PRICING, USE THE FOLLOWING.

MODEL NUMBER	DESCRIPTION	APPROX. MACHINE WEIGHT	LIST PRICE
RC3715	15' MEDIUM-DUTY ROTARY CUTTER - 540 rpm	4420#	\$ 15,837
RCM3715	15' MEDIUM-DUTY ROTARY CUTTER - 1000 rpm	4420#	\$ 15,837
ADD OPTION			
NUMBER	You Must Choose a Tire Option		
-01	21" Laminate, 2 Center, Single Wings	280#	\$ 575
-02	21" Laminate, 4 Center, Single Wings	420#	\$ 1,036
-08	29" Used Aircraft, 4 Center, Single Wings	432#	\$ 1,519
-11	25.5" New Foam Filled, 4 Center, Single Wing	732#	\$ 3,432
<u>If 540 RPM - You Must Pick a Driveline Package - Main Driveline - 1-3/4" - 20 Spline</u>			
-32	540 CV Main, Cat 4 Wing	78#	\$ 2,066
<u>If 1000 RPM - You Must Pick a Driveline Package - Main Driveline - 1-3/4" - 20 Spline</u>			
-32	1000 1-3/8", 21 Spline CV Main, Cat 4 Wings	78#	\$ 2,066
<u>You Must Choose One Guard</u>			
-40	Single Chains - Front & Rear	208#	\$ 656
-41	Double Chains - Front & Rear	312#	\$ 867
<u>You Must Choose a Deck Ring Option</u>			
-60	No Deck Rings	0#	\$ 0
<u>You Must Choose a Fold Option</u>			
-65	Single-acting Fold Cylinders (1 hose)	75#	\$ 623
-67	Independent Single-acting Fold Cylinders (2 hose)	80#	\$ 670
<u>You Must Choose a Hitch Clevis Option</u>			
-70	Swivel Clevis Hitch	46#	\$ 226
-75	Performance Hitch, Self-leveling	62#	\$ 384
<u>You May Choose a Color Option (No Option=Buckskin)</u>			
-82	Orange		

*Over-running clutch recommended for tractors with instant off PTO
 ^Gearbox HP rating is based on in field use and performance

WARNING! Rotary Cutters used in non-agricultural areas must be equipped with front & rear guards. The possibility of thrown objects can be hazardous to persons or property.

RCG3715 - 15' Medium Duty Galvanized

[RETURN TO INDEX](#)

50-160 HP



Rotary Cutters



Side Skirt Thickness: 1/4"
 Gearbox Rating^: 160 HP Divider; 130 HP Center & Wings
 Gearbox: 540 or 1000 rpm
 Gearbox Input Shaft: 1 3/4" 20 Spline
 Gearbox Output Shaft: 2"
 Input Driveline: Constant Velocity U-Joint Cat. 6, Splined
 540 or 1000 RPM
 Connecting Driveline: Cat. 4 Slip-Clutch
 Stump-Jumper: 3/16", Round, Dish Shaped
 Blades: 2 per Section, 1/2" x 4" Heat Treated
 Free Swinging Alloy Steel with Uplift
 Blade Bolt: Keyed with Hardened Flatwasher & Lock Nut
 Blade Overlap: 6"
 Blade Speed:
 540 rpm: Center: 15,268 fpm, Wings: 15,000 fpm
 1000 rpm: Center: 15,578 fpm, Wings: 14,620 fpm
 4 or 6 Wheels, with Spring-Cushioned Center Axle
 Wheel Options:
 6" x 21" or 6" x 26" Laminated Tires
 29" x 7.75" x 15" Used Aircraft Tires
 25.5" x 8" x 14" New 20-Ply Foam Filled Aircraft Tires
 Tapered Roller Bearings & Cast Iron 5-Bolt Hubs
 with 1 3/4" Shaft
 Wing Transport Locks
 Wing Hydraulics: 2 1/2" x 12" Cylinder, Hoses & Fittings
 Height Adjustments: 3" x 8" Cylinder, Hose & Fittings
 Skid Shoes: Wings & Center, Replaceable
 Front and Rear Shielding: Single or Double Chain
 Blade Rotation: L-CW, C-CCW, R-CCW
 Lights Standard

Hot-dipped Zinc Galvanized Deck
 Working Width: 15'
 Transport Width: 10'3"
 Overall Width: 15'10"
 Overall Length: 16'3"
 Hitch: Pull-Type, Self-Leveling Hitch & Clevis
 Tongue Jack
 Cutting Height: 1 1/2" - 16"*
 Cutting Capacity: 3"
 Deck Height: 12"
 Deck Thickness: 10 Gauge

YOU MUST ADD 11% SURCHARGE TO PRICES AS OF 8/4/21

MODEL NUMBER	DESCRIPTION	APPROX. MACHINE WEIGHT	SHIPPING WEIGHT	LIST PRICE
RCG3715 -01-32-40-60-65-70	15' GALVANIZED ROTARY CUTTER - 540 rpm 4 21" Laminated Tires (01) CV Driveline with Cat 4 Wings (32) Single Chains - Front & Rear (40) Without Deck Rings (60) Single Acting Fold Cylinder (65) Fixed Clevis Hitch (70)	4482#	4482#	\$ 22,671
RCG3715 -08-32-40-60-65-75	15' GALVANIZED ROTARY CUTTER - 540 rpm 6 29" Used Aircraft Tires (08) CV Driveline with Cat 4 Wings (32) Single Chains - Front & Rear (40) Without Deck Rings (60) Single Acting Fold Cylinder (65) Performance Hitch (75)	4650#	4650#	\$ 23,773

*Varies by Tire Option
 ^Gearbox HP rating is based on in field use and performance
 See pg. 40 for optional pricing and color options
 See pg. 40 for available hitches

WARNING!

Rotary Cutters used in non-agricultural areas must be equipped with front & rear guards. The possibility of thrown objects can be hazardous to persons or property.

RCG3715 - 15' Medium Duty Galvanized

RETURN TO INDEX

50-160 HP



YOU MUST ADD 11% SURCHARGE TO PRICES AS OF 8/4/21

Rotary Cutters

TO BUILD A UNIT NOT LISTED IN THE CONFIGURED UNIT PRICING, USE THE FOLLOWING.

MODEL NUMBER	DESCRIPTION	APPROX. MACHINE WEIGHT	LIST PRICE
RCG3715	15' MEDIUM-DUTY GALVANIZED ROTARY CUTTER - 540 rpm	3795#	\$ 18,524
RCGM3715	15' MEDIUM-DUTY GALVANIZED ROTARY CUTTER - 1000 rpm	3795#	\$ 18,524
ADD OPTION			
NUMBER	You Must Choose a Tire Option		
-01	21" Laminate, 2 Center, Single Wings	280#	\$ 575
-02	21" Laminate, 4 Center, Single Wings	420#	\$ 1,036
-08	29" Used Aircraft, 4 Center, Single Wings	432#	\$ 1,519
-11	25.5" New Foam Filled, 4 Center, Single Wings	732#	\$ 3,432
	<u>If 540 RPM - You Must Pick a Driveline Package - Main Driveline - 1-3/4" - 20 Spline</u>		
-32	540 CV Main, Cat 4 Wing	78#	\$ 2,066
	<u>If 1000 RPM - You Must Pick a Driveline Package - Main Driveline - 1-3/4" - 20 Spline</u>		
-32	1000 1-3/8", 21 Spline CV Main, Cat 4 Wings	78#	\$ 2,066
	<u>You Must Choose One Guard</u>		
-40	Single Chains - Front & Rear	208#	\$ 656
-41	Double Chains - Front & Rear	312#	\$ 867
	<u>You Must Choose a Deck Ring Option</u>		
-60	No Deck Rings	0#	\$ 0
	<u>You Must Choose a Fold Option</u>		
-65	Single-acting Fold Cylinders (1 hose)	75#	\$ 623
-67	Independent Single-acting Fold Cylinders (2 hose)	80#	\$ 670
	<u>You Must Choose a Hitch Clevis Option</u>		
-70	Fixed Clevis Hitch	46#	\$ 226
-75	Performance Hitch, Self-leveling	62#	\$ 384

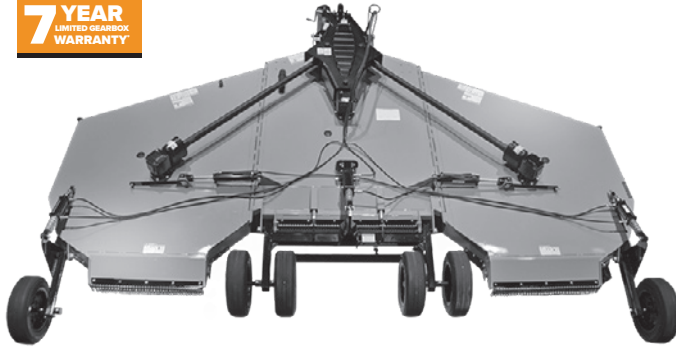
*Over-running clutch recommended for tractors with instant off PTO
 ^Gearbox HP rating is based on in field use and performance

WARNING! Rotary Cutters used in non-agricultural areas must be equipped with front & rear guards. The possibility of thrown objects can be hazardous to persons or property.

RC3620 - 20' Medium Duty

RETURN TO INDEX

70-160 HP



Working Width: 20'
 Transport Width: 9' 11" Minimum
 Overall Width: 20' 10"
 Overall Length: 19' 3"
 Hitch: Pull-Type
 Tongue Jack
 Cutting Height*: 2" - 12" Cutting Capacity: 2"
 Deck Height: 13"
 Deck Thickness: 10 Gauge
 Side Skirt Thickness: 1/4"
 Gearbox Rating^: 250 HP Divider; 150 HP Center & Wings
 Gearbox: 540 or 1000 rpm
 Gearbox Input Shaft: 1 3/4" 20 Spline
 Gearbox Output Shaft: 2"
 Input Driveline: Constant Velocity U-Joint Cat. 6, Splined

540 or 1000 RPM
 Connecting Driveline: Cat. 4, Slip-Clutch
 Stump-Jumper: 10 Gauge, Round, Dish Shaped
 Blades: 2 per Section, 1/2" x 4" Heat Treated
 Free Swinging Alloy Steel with Uplift
 Blade Bolt: Keyed with Hardened Flatwasher & Lock Nut
 Blade Overlap: 6"
 Blade Speed:
 540 rpm: Center: 16,000 fpm, Wings: 16,000 fpm
 1000 rpm: Center: 16,500 fpm, Wings: 16,500 fpm
 6 or 8 Wheel Option, with Spring-Cushioned Center Axle
 Tire Options:
 6" x 21" Laminated Tires
 29" x 9 x 15 Used Aircraft Tires
 27" x 7.75" x 15" Foam Filled Aircraft Tires
 Tapered Roller Bearings & Cast Iron 5-Bolt Hubs w/1 3/4" Shaft
 Wing Transport Locks
 Wing Hydraulics: 3" x 12" Cylinder, Hoses & Fittings
 Height Adjustments: 3-1/2" x 8" Cylinder, Hose, Fittings
 & Stroke Control Spacers
 Skid Shoes: Wings Reversible & Center, Both Replaceable
 Front and Rear Shielding:
 Single or Double Chain
 Optional Deck Rings - 1/2" x 3" Fully Welded
 Lights Standard

Rotary Cutters

For 1000 RPM, change prefix to RCM

YOU MUST ADD 11% SURCHARGE TO PRICES AS OF 8/4/21

MODEL NUMBER	DESCRIPTION	APPROX. MACHINE WEIGHT	LIST PRICE
RC3620-011232416070	20' ROTARY CUTTER - 540 rpm Single Front Chain Guard (01) 6 ea. Laminated Tires, Dual Axle (12) Constant Velocity Input Driveline, Cat. 6 (32) Single Rear Chain Guard (41) No Deck Rings (60) Standard Clevis (70)	6108#	\$ 28,194
RC3620-031232436070	20' ROTARY CUTTER - 540 rpm Double Front Chain Guard (03) 6 ea. Laminated Tires, Dual Axle (12) Constant Velocity Input Driveline, Cat. 6 (32) Double Rear Chain Guard (43) No Deck Rings (60) Standard Clevis (70)	6138#	\$ 28,522
RC3620-011432416070	20' ROTARY CUTTER - 540 rpm Single Front Chain Guard (01) 6 ea. Used Airplane Tires, Dual Axle (14) Constant Velocity Input Driveline, Cat. 6 (32) Single Rear Chain Guard (41) No Deck Rings (60) Standard Clevis (70)	6260#	\$ 28,852
RC3620-031432436070	20' ROTARY CUTTER - 540 rpm Double Front Chain Guard (03) 6 ea. Used Airplane Tires, Dual Axle (14) Constant Velocity Input Driveline, Cat. 6 (32) Double Front Chain Guard (43) No Deck Rings (60) Standard Clevis (70)	6290#	\$ 29,179

See pg. 43 for optional pricing and color option

See pg. 69 for available hitches

^Gearbox HP rating is based on in field use and performance

*Maximum cutting height id dependent on tire options selected.

WARNING! Rotary Cutters used in non-agricultural areas must be equipped with front & rear guards. The possibility of thrown objects can be hazardous to persons or property.

RC3620 - 20' Medium Duty

RETURN TO INDEX

70-160 HP



YOU MUST ADD 11% SURCHARGE TO PRICES AS OF 8/4/21

Rotary Cutters

TO BUILD A UNIT NOT LISTED IN CONFIGURED UNIT PRICING, USE THE FOLLOWING.

MODEL NUMBER	DESCRIPTION	APPROX. MACHINE WT	LIST PRICE
RC3620	20' ROTARY CUTTER - 540 rpm	5137#	\$ 23,941
RCM3620	20' ROTARY CUTTER - 1000 rpm	5137#	\$ 23,941
ADD			
OPTION NO.	Choose One Front Guard		
-01	Single Row Chain Guard (330-817A)	211#	\$ 627
-03	Double Row Chain Guard (330-818A)	233#	\$ 838
Choose One Wheel & Axle Assembly			
-12	6 ea. 21" Laminated Tires with Dual Axle, Single Wings	504#	\$ 1,691
-14	6 ea. 29" Used Airplane Tires with Dual Axle, Single Wings	656#	\$ 2,348
-20	8 ea. 21" Laminated Tires with Dual Axle	624#	\$ 2,189
-22	8 ea. 29" Used Airplane Tires with Dual Axle	790#	\$ 3,082
-23	6 ea. 27" Foam Filled Airplane Tires with Dual Axle, Single Wings	736#	\$ 3,879
-24	8 ea. 27" Foam Filled Airplane Tires with Dual Axle	895#	\$ 5,235
Choose One Driveline Package			
-32	Constant Velocity U-Joint Main - 540 rpm or 1000 rpm - Cat. 4 Wing	75#	\$ 1,486
-34	Constant Velocity Main - 540 rpm or 1000 rpm - Cat. 5 Wing	78#	\$ 2,100
Choose One Rear Guard			
-41	Single Row Chain Guard (330-819A)	104#	\$ 449
-43	Double Row Chain Guard (330-820A)	112#	\$ 566
You Must Choose Deck Rings or No Deck Rings			
-60	No Deck Rings	0#	\$ 0
-61	Deck Rings	200#	\$ 1,093
You Must Choose A Hitch Clevis Option			
-70	Standard Clevis	77#	\$ 0
-75	Performance Hitch - Self Leveling Up & Down & Side to Side Swivel	57#	\$ 301
You May Choose A Color Option (No Option=Buckskin)			
-82	Orange		

temporarily suspended

temporarily suspended

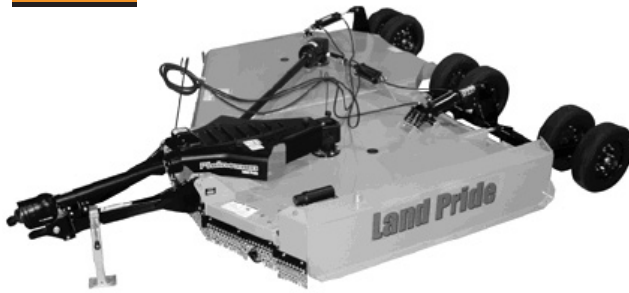
[^]Gearbox HP rating is based on in field use and performance

RC3614 - 14' Medium Duty Offset

RETURN TO INDEX

70-160 HP

7 YEAR
LIMITED GEARBOX
WARRANTY



Working Width: 14'
Transport Width: 8' 9"
Overall Width: 15'
Overall Length: 19' 3"
Hitch: Pull-Type
Tongue Jack
Cutting Height*: 2" - 12"
Cutting Capacity: 2"
Deck Height: 13"
Deck Thickness: 10 Gauge
Side Skirt Thickness: 1/4"
Gearbox Rating^: 250 HP Divider; 150 HP Center & Wing
Gearbox: 540 or 1000 rpm
Gearbox Input Shaft: 1 3/4" 20 Spline
Gearbox Output Shaft: 2"

Weightbox on Left Side
Input Driveline: Constant Velocity U-Joint Cat. 6, Splined
540 or 1000 RPM
Connecting Driveline: Cat. 4, Slip-Clutch
Stump-Jumper: 10 Gauge, Round, Dish Shaped
Blades: 2 per Section, 1/2" x 4" Heat Treated
Free Swinging Alloy Steel with Uplift
Blade Bolt: Keyed with Hardened Flatwasher & Lock Nut
Blade Overlap: 6"
Blade Speed:
540 rpm: Center: 16,000 fpm, Wing: 16,000 fpm
1000 rpm: Center: 16,500 fpm, Wing: 16,500 fpm
5 or 6 Wheel Option, with Spring-Cushioned Center Axle
Tire Options: 6" x 21" Laminated Tires
29" x 9 x 15 Used Aircraft Tires
27" x 7.75 x 15 Foam Filled Used Aircraft Tires
Tapered Roller Bearings & Cast Iron 5-Bolt Hubs
with 1 3/4" Shaft
Wing Transport Lock
Wing Hydraulics: 3" x 12" Cylinder, Hoses & Fittings
Height Adjustments: 3 1/2" x 8" Cylinder, Hose, Fittings
& Stroke Control Spacers
Skid Shoes: Wing & Center Section, Both Replaceable
Front and Rear Shielding:
Single or Double Chain
Optional Deck Rings - 1/2" x 3" Fully Welded
Lights Standard

^Based on field performance

YOU MUST ADD 11% SURCHARGE TO PRICES AS OF 8/4/21

SEE NEXT PAGE FOR PRICING.

Rotary Cutters

*^Gearbox HP rating is based on in field use and performance
*Maximum cutting height id dependent on tire options selected.
See pg. 45 for optional pricing and color options
See pg. 69 for available hitches*

WARNING!
Rotary Cutters used in non-agricultural areas must be equipped with front & rear guards. The possibility of thrown objects can be hazardous to persons or property.

RC3614 - 14' Medium Duty Offset

RETURN TO INDEX

70-160 HP



YOU MUST ADD 11% SURCHARGE TO PRICES AS OF 8/4/21

Rotary Cutters

temporarily suspended
temporarily suspended

MODEL NUMBER	DESCRIPTION	APPROX. MACHINE WEIGHT	LIST PRICE
RC3614	14' ROTARY CUTTER - OFFSET - 540 rpm	5990#	\$ 17,657
RCM3614	14' ROTARY CUTTER - OFFSET - 1000 rpm	5990#	\$ 17,657
ADD			
OPTION NUMBER			
Choose One Front Guard			
-01	Single Row Chain Guard (330-892A)	141#	\$ 454
-03	Double Row Chain Guard (330-893A)	155#	\$ 631
Choose One Wheel & Axle Assembly			
-12	5 ea. Laminated Tail Wheels with Dual Axle, Single Wing	480#	\$ 1,450
-14	5 ea. Used Airplane Tires with Dual Axle, Single Wing	600#	\$ 1,731
-20	6 ea. Laminated Tail Wheels with Dual Axle	574#	\$ 1,696
-22	6 ea. Used Airplane Tires with Dual Axle	690#	\$ 2,032
-23	5 ea. Foam Filled Airplane Tires with Dual Axle, Single Wing	636#	\$ 2,151
-24	6 ea. Foam Filled Airplane Tires with Dual Axle	695#	\$ 2,539
Choose One Driveline Package			
-32	Constant Velocity U-Joint Main - 540 rpm or 1000 rpm - Cat. 4 Wing	75#	\$ 1,806
-34	Constant Velocity U-Joint Main - 540 rpm or 1000 rpm - Cat. 5 Wing	75#	\$ 1,806
Choose One Rear Guard			
-41	Single Row Chain Guard (330-902A)	79#	\$ 317
-43	Double Row Chain Guard (330-903A)	100#	\$ 401
You Must Choose Deck Rings or No Deck Rings			
-60	No Deck Rings	0#	\$ 0
-61	Deck Rings	131#	\$ 727
You Must Choose A Hitch Clevis Option			
-70	Standard Clevis	77#	\$ 0
-75	Performance Hitch - Self Leveling Up & Down & Side to Side Swivel	57#	\$ 301
You May Choose A Color Option (No Option=Buckskin)			
-82	Orange		

[^]Gearbox HP rating is based on in field use and performance

WARNING! Rotary Cutters used in non-agricultural areas must be equipped with front & rear guards. The possibility of thrown objects can be hazardous to persons or property.

RC(M)4710 - 10' Heavy Duty Rotary Cutter

RETURN TO INDEX

55-250 HP



Working Width: 10'
 Transport Width: 10'3" Normal, 7'3" w/Narrow Option
 Overall Width: 11'7"
 Overall Length: 16'3"
 Hitch: Pull-Type, Self-Leveling Hitch & Clevis
 Tongue Jack
 Cutting Height*: 1-1/2" - 16"
 Cutting Capacity: 4"
 Deck Height: 12"
 Deck Thickness: 10 Gauge
 Side Skirt Thickness: 1/4"
 Gearbox Rating^: 250 HP Divider; 225 HP Center & Wing
 Gearbox: 540 rpm or 1000 rpm
 Gearbox Input Shaft: 1-3/4" 20 Spline
 Gearbox Output Shaft: 2-3/8"

Input Driveline: Constant Velocity U-Joint Cat. 6,
 Splined 540 or 1000 RPM
 Connecting Driveline: Cat. 4 or 5 Slip-Clutch
 Forged Diamond Blade Bar
 Optional Stump-Jumper: 3/16", Round, Dish Shaped
 Blades: 2 per Section, 1/2" x 4" Heat Treated
 Free Swinging Alloy Steel with Uplift
 Blade Bolt: Keyed with Hardened Flatwasher & Lock Nut
 Blade Overlap: 6"
 Blade Speed:
 540 rpm: Center & Wings: 16,300 fpm
 1000 rpm: Center: 16,300; Wings: 16,000 fpm
 5 or 6 Wheels with Suspension Options
 Wheel Options: 6" x 21" Laminated Tires
 29" x 7.75" x 15" Used Aircraft Tires
 25.5" x 7.7-10 Foam-Filled Aircraft Tires
 Tapered Roller Bearings & Cast Iron 5-Bolt Hubs
 with 1-3/4" Shaft
 Wing Transport Locks
 Wing Hydraulics: 2-1/2" x 12" Cylinder, Hoses & Fittings
 Height Adjustments: 3" x 8" Cylinder, Hose, Fittings
 & Stroke Control Spacers
 Skid Shoes: Wings & Center, Replaceable
 Front and Rear Shielding: Single or Double Chain
 Blade Rotation: C-CW, R-CW
 Lights Standard

Rotary Cutters

YOU MUST ADD 11% SURCHARGE TO PRICES AS OF 8/4/21

MODEL NUMBER	DESCRIPTION	APPROX. MACHINE WEIGHT	LIST PRICE
RC4710-02-21-26-32-40-60-65-75-90	10' HEAVY-DUTY ROTARY CUTTER - 540 rpm 5-21" Laminated Tires, Single Suspension Center HD Axle, Rigid HD Wing Axle, CV, Cat 4 Wing, Chains, No Deck Rings, Single Acting Fold Cylinder, Performance Hitch, Diamond Blade Bar	5462#	\$ 22,513
RC4710-02-22-27-32-40-60-65-75-90	10' HEAVY-DUTY ROTARY CUTTER - 540 rpm 5-21" Laminated Tires, Independent Suspension Center and Wing Axle, CV, Cat 4 Wing, Chains, No Deck Rings, Single Acting Fold Cylinder, Performance Hitch, Diamond Blade Bar	5607#	\$ 23,521
RC4710	10' HEAVY-DUTY ROTARY CUTTER - 540 rpm	3897#	\$ 16,438
RCM4710	10' HEAVY-DUTY ROTARY CUTTER - 1000 rpm	3897#	\$ 16,438
ADD OPTION			
NUMBER	You Must Choose a Tire Option		
-02	21" Laminate, 5 Tires	350#	\$ 811
-03	21" Laminate, 6 Tires	420#	\$ 1,036
-08	29" Used Aircraft, 5 Tires	360#	\$ 1,219
-09	29" Used Aircraft, 6 Tires	432#	\$ 1,519
-11	25.5" New Foam Filled Aircraft, 5 Tires	600#	\$ 2,780
-12	25.5" New Foam Filled Aircraft, 6 Tires	720#	\$ 3,432

*Varies by tire option.
 ^Gearbox HP rating is based on in field use and performance
 See pg. 47 for optional pricing and color options
 See pg. 47 for available hitches

WARNING!
 Rotary Cutters used in non-agricultural areas must be equipped with front & rear guards. The possibility of thrown objects can be hazardous to persons or property.

RC(M)4710 - 10' Heavy Duty Smooth Top

RETURN TO INDEX

55-250 HP

YOU MUST ADD 11% SURCHARGE TO PRICES AS OF 8/4/21

Rotary Cutters

**ADD OPTION
NUMBER**

<u>You Must Choose a Center Axle Option</u>			
-21	HD Single Suspension Center Axle	362#	\$ 1,808
-22	Independent Suspension Center Axle	459#	\$ 2,323
-24	Parallel Pivot Center Axle	429#	\$ 2,557
<u>You Must Choose a Wing Axle Option (Unless -20 Option Selected)</u>			
-26	HD Wing Axles (cannot be sold with option -22)	160#	\$ 606
-27	Independent Suspension Wing Axles	209#	\$ 1,098
<u>If 540 RPM - You Must Pick a Driveline Package</u>			
-32	540 CV Main, Cat 4 Wings	75#	\$ 1,721
-34	540 CV Main, Cat 5 Wings	75#	\$ 1,848
<u>If 1000 RPM - You Must Pick a Driveline Package</u>			
-32	1000 1-3/8", CV Main, Cat 4 Wings	75#	\$ 1,721
-34	1000 1-3/8", CV Main, Cat 5 Wings	75#	\$ 1,848
<u>You Must Choose One Guard</u>			
-40	Single Chains - Front & Rear	83#	\$ 397
-41	Double Chains - Front & Rear	99#	\$ 546
<u>You Must Choose a Deck Ring Option</u>			
-60	No Deck Rings	0#	\$ 0
-61	Deck Rings	131#	\$ 595
<u>You Must Choose a Fold Option</u>			
-65	Single-acting Fold Cylinders (1 hose)	38#	\$ 347
-66	Dual-acting Fold Cylinders for Narrow Transport (2 hoses)	45#	\$ 414
<u>You Must Choose a Hitch Clevis Option</u>			
-75	Performance Hitch, Self-leveling	62#	\$ 384
<u>You May Choose a Color Option (No Option=Buckskin)</u>			
-82	Orange		N/C
<u>You Must Choose a Blade Carrier Option</u>			
-90	Diamond Blade Bar	435#	\$ 0
-92	Welded Dishpans	517#	\$ 103

*Over-running clutch recommended for tractors with instant off PTO
^Gearbox HP rating is based on in field use and performance

WARNING! Rotary Cutters used in non-agricultural areas must be equipped with front & rear guards. The possibility of thrown objects can be hazardous to persons or property.

RC(M)4715 - 15' Heavy Duty Rotary Cutter

RETURN TO INDEX

55-250 HP



Working Width: 15'
 Transport Width: 10'3" Normal, 7'3" w/Narrow Option
 Overall Width: 15'10"
 Overall Length: 16'3"
 Hitch: Pull-Type, Self-Leveling Hitch & Clevis
 Tongue Jack
 Cutting Height*: 1-1/2" - 16"
 Cutting Capacity: 4"
 Deck Height: 12"
 Deck Thickness: 10 Gauge
 Side Skirt Thickness: 1/4"
 Gearbox Rating^: 250 HP Divider; 225 HP Center & Wings
 Gearbox: 540 rpm or 1000 rpm
 Gearbox Input Shaft: 1-3/4" 20 Spline
 Gearbox Output Shaft: 2-3/8"

Input Driveline: Constant Velocity U-Joint Cat. 6, Splined 540 or 1000 RPM
 Connecting Driveline: Cat. 4 or 5 Slip-Clutch
 Forged Diamond Blade Bar
 Optional Stump-Jumper: 3/16", Round, Dish Shaped
 Blades: 2 per Section, 1/2" x 4" Heat Treated
 Free Swinging Alloy Steel with Uplift
 Blade Bolt: Keyed with Hardened Flatwasher & Lock Nut
 Blade Overlap: 6"
 Blade Speed:
 540 rpm: Center & Wings: 16,300 fpm
 1000 rpm: Center: 16,300; Wings: 16,000 fpm
 6 or 8 Wheels with Suspension Options
 Wheel Options: 6" x 21" Laminated Tires
 29" x 7.75" x 15" Used Aircraft Tires
 25.5" x 7.7-10 Foam-Filled Aircraft Tires
 Tapered Roller Bearings & Cast Iron 5-Bolt Hubs with 1-3/4" Shaft
 Wing Transport Locks
 Wing Hydraulics: 2-1/2" x 12" Cylinder, Hoses & Fittings
 Height Adjustments: 3" x 8" Cylinder, Hose, Fittings & Stroke Control Spacers
 Skid Shoes: Wings & Center, Replaceable
 Front and Rear Shielding: Single or Double Chain
 Blade Rotation: L-CW, C-CCW, R-CCW
 Lights Standard

Rotary Cutters

YOU MUST ADD 11% SURCHARGE TO PRICES AS OF 8/4/21

MODEL NUMBER	DESCRIPTION	APPROX. MACHINE WEIGHT	LIST PRICE
RC4715-02-21-26-32-40-60-65-75-90	15' HEAVY-DUTY ROTARY CUTTER - 540 rpm 6-21" Laminated Tires, Single Suspension Center HD Axle, Rigid HD Wing Axles, CV, Cat 4 Wing, Chains, No Deck Rings, Single Acting Fold Cylinders, Performance Hitch, Diamond Blade Bar	4793#	\$ 23,676
RC4715-02-22-27-32-40-60-65-75-90	15' HEAVY-DUTY ROTARY CUTTER - 540 rpm 6-21" Laminated Tires, Independent Suspension Center and Wing Axles, CV, Cat 4 Wing, Chains, No Deck Rings, Single Acting Fold Cylinders, Performance Hitch, Diamond Blade Bar	4987#	\$ 25,095
RC4715	15' HEAVY-DUTY ROTARY CUTTER - 540 rpm	2623#	\$ 15,978
RCM4715	15' HEAVY-DUTY ROTARY CUTTER - 1000 rpm	2623#	\$ 15,978
ADD OPTION NUMBER	You Must Choose a Tire Option		
-02	21" Laminate, 6 Tires	420#	\$ 1,036
-03	21" Laminate, 8 Tires	560#	\$ 1,514
-08	29" Used Aircraft, 6 Tires	432#	\$ 1,519
-09	29" Used Aircraft, 8 Tires	576#	\$ 2,159
-11	25.5" New Foam Filled Aircraft, 6 Tires	720#	\$ 3,432
-12	25.5" New Foam Filled Aircraft, 8 Tires	926#	\$ 4,727

*Varies by tire option
 ^Gearbox HP rating is based on in field use and performance
 See pg. 49 for optional pricing and color options
 See pg. 69 for available hitches

WARNING!
 Rotary Cutters used in non-agricultural areas must be equipped with front & rear guards. The possibility of thrown objects can be hazardous to persons or property.

RC(M)4715 - 15' Heavy Duty Smooth Top

RETURN TO INDEX

Rotary Cutters

55-250 HP

YOU MUST ADD 11% SURCHARGE TO PRICES AS OF 8/4/21

ADD OPTION NUMBER

<u>You Must Choose a Center Axle Option</u>			
-21	HD Single Suspension Center Axle	363#	\$ 1,808
-22	Independent Suspension Center Axle	459#	\$ 2,323
-24	Parallel Pivot Center Axle	429#	\$ 2,557
<u>You Must Choose a Wing Axle Option (Unless -20 Option Selected)</u>			
-26	HD Wing Axles (cannot be sold with option -22)	320#	\$ 1,125
-27	Independent Suspension Wing Axles	418#	\$ 2,029
<u>If 540 RPM - You Must Pick a Driveline Package</u>			
-32	540 CV Main, Cat 4 Wings	78#	\$ 2,066
-34	540 CV Main, Cat 5 Wings	78#	\$ 2,391
<u>If 1000 RPM - You Must Pick a Driveline Package</u>			
-32	1000 1-3/8", CV Main, Cat 4 Wings	78#	\$ 2,066
-34	1000 1-3/8", CV Main, Cat 5 Wings	78#	\$ 2,391
<u>You Must Choose One Guard</u>			
-40	Single Chains - Front & Rear	208#	\$ 656
-41	Double Chains - Front & Rear	312#	\$ 867
<u>You Must Choose a Deck Ring Option</u>			
-60	No Deck Rings	0#	\$ 0
-61	Deck Rings	163#	\$ 595
<u>You Must Choose a Fold Option</u>			
-65	Single-acting Fold Cylinders (1 hose)	75#	\$ 623
-66	Dual-acting Fold Cylinders for Narrow Transport (2 hoses)	84#	\$ 707
-67	Independent Single-acting Fold Cylinders (2 hose)	80#	\$ 670
-68	Independent Dual-acting Fold Cylinders for Narrow Transport (4 hoses)	96#	\$ 802
<u>You Must Choose a Hitch Clevis Option</u>			
-75	Performance Hitch, Self-leveling	62#	\$ 384
<u>You May Choose a Color Option (No Option=Buckskin)</u>			
-82	Orange		
<u>You Must Choose a Blade Carrier Option</u>			
-90	Diamond Blade Bar	645#	\$ 0
-92	Welded Dishpans	771#	\$ 125

*Over-running clutch recommended for tractors with instant off PTO
 ^Gearbox HP rating is based on in field use and performance

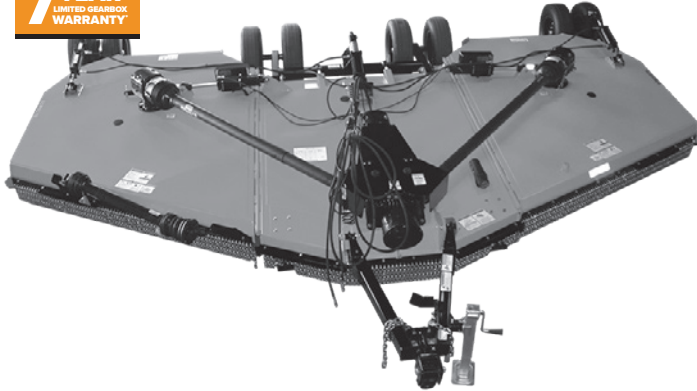
WARNING! Rotary Cutters used in non-agricultural areas must be equipped with front & rear guards. The possibility of thrown objects can be hazardous to persons or property.

RC4620 - 20' Heavy Duty Smooth Top

RETURN TO INDEX

70-250 HP

7 YEAR
LIMITED GEARBOX
WARRANTY



Working Width: 20'
Transport Width: 9' 11" Minimum
Overall Width: 20' 10"
Overall Length: 19' 3"
Hitch: Pull-Type
Tongue Jack
Cutting Height*: 2" - 12"
Cutting Capacity: 3"
Deck Height: 13"
Deck Thickness: 10 Gauge
Side Skirt Thickness: 1/4"
Gearbox Rating^: 250 HP Divider, 210 HP Center & Wings
Gearbox: 540 or 1000 rpm
Gearbox Input Shaft: 1 3/4" 20 Spline
Gearbox Output Shaft: 2 3/8"

Input Driveline: Constant Velocity U-Joint Cat. 6, Splined
540 or 1000 RPM
Connecting Driveline: Cat. 5, Slip-Clutch
Diamond Blade Bar with Optional Bolt-On
Stump-Jumper: 3/16", Round, Dish Shaped
Optional Shredder Kit
Blades: 2 per Section, 1/2" x 4" Heat Treated
Free Swinging Alloy Steel with Uplift
Blade Bolt: Keyed with Hardened Flatwasher & Lock Nut
Blade Overlap: 6"
Blade Speed:
540 rpm: 17,000 fpm; 1000 rpm: 18,000 fpm
6 or 8 Wheel Option, with Spring-Cushioned Center Axle
Tire Options:
6" x 21" Laminated Tires
29" x 9 x 15 Used Aircraft Tires
27" x 7.75" x 15" Foam Filled Aircraft Tires
Tapered Roller Bearings & Cast Iron 5-Bolt Hubs w/1 3/4" Shaft
Wing Transport Locks
Wing Hydraulics: 3" x 12" Cylinder, Hoses & Fittings
Height Adjustments: Rephasing Cylinders, Hose, Fittings
& Stroke Control Spacers
Skid Shoes: Wings Reversible & Center, Both Replaceable
Front and Rear Shielding: Single or Double Chain
Optional Deck Rings - 1/2" x 3" Fully Welded
Lights Standard

Rotary Cutters

YOU MUST ADD 11% SURCHARGE TO PRICES AS OF 8/4/21

SEE NEXT PAGE FOR PRICING.

*^Gearbox HP rating is based on in field use and performance
*Maximum cutting height is dependent on tire options selected.
See pg. 51 for optional pricing and color options
See pg. 69 for available hitches*

WARNING!
Rotary Cutters used in non-agricultural areas must be equipped with front & rear guards. The possibility of thrown objects can be hazardous to persons or property.

RC4620 - 20' Heavy Duty Smooth Top

RETURN TO INDEX

70-250 HP



YOU MUST ADD 11% SURCHARGE TO PRICES AS OF 8/4/21

TO BUILD A UNIT NOT LISTED IN THE CONFIGURED UNIT PRICING, USE THE FOLLOWING.

Rotary Cutters

temporarily suspended
temporarily suspended

MODEL NUMBER	DESCRIPTION	APPROX. MACHINE WEIGHT	LIST PRICE
RC4620	20' ROTARY CUTTER - 540 rpm	4610#	\$ 24,467
RCM4620	20' ROTARY CUTTER - 1000 rpm	4610#	\$ 24,467
ADD OPTION NUMBER			
<u>You MUST Choose One Front Guard</u>			
-01	Single Row Chain Guard (331-812A)	226#	\$ 645
-03	Double Row Chain Guard (331-833A)	248#	\$ 872
<u>Choose One Wheel & Axle Assembly</u>			
-12	6 ea. 21" Laminated Tail Wheels with Dual Center Axle	504#	\$ 1,691
-14	6 ea. 29" Used Airplane Tires with Dual Center Axle	656#	\$ 2,348
-20	8 ea. 21" Laminated Tail Wheels with Dual Center Dual Wing	624#	\$ 2,189
-22	8 ea. 29" Used Airplane Tires with Dual Center Dual Wing	790#	\$ 3,082
-23	6 ea. 27" FF Used AC Tires with Dual Center Axle	736#	\$ 3,879
-24	8 ea. 27" FF Used AC Tires with Dual Center Dual Wing	895#	\$ 5,235
<u>If 540 RPM - Choose One Driveline Package - Main Driveline - 1 3/8" - 6 Spline</u>			
-32	Main: Constant Velocity U-Joint, Cat. 6 Wing: Cat. 5 Slip-Clutch	78#	\$ 2,100
<u>If 1000 RPM - Choose One Driveline Package - Main Driveline</u>			
-32	Main: CV U-Joint, Cat. 6, 1 3/8" - 21 Spline Wing: Cat. 5 Slip-Clutch	78#	\$ 2,100
-33	Main: CV U-Joint, Cat. 6, 1 3/4" - 20 Spline Wing: Cat. 5 Slip-Clutch	78#	\$ 2,389
<u>You MUST Choose One Rear Guard</u>			
-41	Single Row Chain Guard (330-819A)	104#	\$ 449
-43	Double Row Chain Guard (330-820A)	112#	\$ 566
<u>You MUST You MUST Choose Deck Ring Option</u>			
-60	No Deck Rings	0#	\$ 0
-61	Deck Rings	300#	\$ 1,125
<u>You MUST Pick a Hitch Option</u>			
-70	Standard Clevis - Up & Down Swivel	77#	\$ 0
-72	Bar-Tite Clevis - Bolts & Clamps to Drawbar, Up, Down & Side to Side Swivel	68#	\$ 324
-73	Pintle Hitch	72#	\$ 145
-74	Ball Hitch	17#	\$ 350
-75	LP Performance Hitch	57#	\$ 301
<u>You May Choose a Color Option (No Option=Buckskin)</u>			
-81	Green		
-82	Orange		
-83	Red		
-86	Yellow		
<u>You MUST Choose a Blade Option</u>			
-90	Diamond Blade Bar	250#	\$ 1,909
-91	Diamond Blade Bar with Dishpan	675#	\$ 2,446
-92	Shredder Kit	458#	\$ 2,295

[^]Gearbox HP rating is based on in field use and performance

RC4614 - 14' Heavy Duty Smooth Top

RETURN TO INDEX

70-250 HP



Rotary Cutters

Working Width: 13' 6"
Transport Width: 9' 11" Minimum
Overall Width: 14' 8"
Overall Length: 17' 6"
Hitch: Pull-Type
Tongue Jack
Cutting Height*: 2" - 12"
Cutting Capacity: 3"
Deck Height: 13"
Deck Thickness: 10 Gauge
Side Skirt Thickness: 1/4"
Gearbox Rating^: 250 HP Divider; 210 HP Center & Wings
Gearbox: 540 or 1000 rpm
Gearbox Input Shaft: 1 3/4" 20 Spline
Gearbox Output Shaft: 2 3/8"

Input Driveline: Constant Velocity U-Joint Cat. 6, Splined
540 or 1000 RPM
Connecting Driveline: Cat. 5, Slip-Clutch
Diamond Blade Bar with Optional Bolt-On
Stump-Jumper: 3/16", Round, Dish Shaped
Optional Shredder Kit
Blades: 2 per Section, 1/2" x 4" Heat Treated
Free Swinging Alloy Steel with Uplift
Blade Bolt: Keyed with Hardened Flatwasher & Lock Nut
Blade Overlap: 6"
Blade Speed:
540 rpm: Center: 17,000 fpm; 1000 rpm: 18,000 fpm
5 or 6 Wheel Option, with Spring-Cushioned Center Axle
Tire Options:
6" x 21" Laminated Tires
29" x 9 x 15 Used Aircraft Tires
27" x 7.75" x 15" Foam Filled Aircraft Tires
Tapered Roller Bearings & Cast Iron 5-Bolt Hubs w/1 3/4" Shaft
Wing Transport Locks
Wing Hydraulics: Rephasing Cylinders, Hoses & Fittings
Height Adjustments: 3-1/2" x 8" Cylinder, Hose, Fittings
& Stroke Control Spacers
Skid Shoes: Wings Reversible & Center, Both Replaceable
Front and Rear Shielding: Single or Double Chain
Optional Deck Rings - 1/2" x 3" Fully Welded
Lights Standard

YOU MUST ADD 11% SURCHARGE TO PRICES AS OF 8/4/21

SEE NEXT PAGE FOR PRICING.

*^Gearbox HP rating is based on in field use and performance
Maximum cutting height is dependent on tire options selected.

See pg. 53 for optional pricing and color options

See pg. 69 for available hitches



RC4614 - 14' Heavy Duty Smooth Top

RETURN TO INDEX

70-250 HP



YOU MUST ADD 11% SURCHARGE TO PRICES AS OF 8/4/21

TO BUILD A UNIT NOT LISTED IN THE CONFIGURED UNIT PRICING, USE THE FOLLOWING.

Rotary Cutters

temporarily suspended
temporarily suspended

MODEL NUMBER	DESCRIPTION	APPROX. MACHINE WEIGHT	LIST PRICE
RC4614	14' ROTARY CUTTER - 540 rpm	4100#	\$ 20,343
RCM4614	14' ROTARY CUTTER - 1000 rpm	4100#	\$ 20,343
ADD OPTION NUMBER			
<u>You MUST Choose One Front Guard</u>			
-01	Single Row Chain Guard (331-834A)	141#	\$ 454
-03	Double Row Chain Guard (331-835A)	155#	\$ 631
<u>Choose One Wheel & Axle Assembly</u>			
-12	5 ea. 21" Laminated Tail Wheels with Dual Center Axle	480#	\$ 1,450
-14	5 ea. 29" Used Airplane Tires with Dual Center Axle	600#	\$ 1,731
-20	6 ea. 21" Laminated Tail Wheels with Dual Center Dual Wing	574#	\$ 1,696
-22	6 ea. 29" Used Airplane Tires with Dual Center Dual Wing	690#	\$ 2,032
-23	5 ea. 27" FF Used AC Tires with Dual Center Axle	636#	\$ 2,151
-24	6 ea. 27" FF Used AC Tires with Dual Center Dual Wing	695#	\$ 2,539
<u>If 540 RPM - Choose One Driveline Package - Main Driveline - 1 3/8" - 6 Spline</u>			
-32	Main: Constant Velocity U-Joint, Cat. 6 Wing: Cat. 5 Slip-Clutch	75#	\$ 1,806
<u>If 1000 RPM - Choose One Driveline Package - Main Driveline</u>			
-32	Main: CV U-Joint, Cat. 6, 1 3/8" - 21 Spline Wing: Cat. 5 Slip-Clutch	75#	\$ 1,806
-33	Main: CV U-Joint, Cat. 6, 1 3/4" - 20 Spline Wing: Cat. 5 Slip-Clutch	75#	\$ 2,054
<u>You MUST Choose One Rear Guard</u>			
-41	Single Row Chain Guard (330-902A)	79#	\$ 317
-43	Double Row Chain Guard (330-903A)	100#	\$ 401
<u>You MUST Choose Deck Ring Option</u>			
-60	No Deck Rings	0#	\$ 0
-61	Deck Rings	200#	\$ 747
<u>You MUST Pick a Hitch Option</u>			
-70	Standard Clevis - Up & Down Swivel	77#	\$ 0
-72	Bar-Tite Clevis - Bolts & Clamps to Drawbar, Up, Down & Side to Side Swivel	68#	\$ 324
-73	Pintle Hitch	72#	\$ 145
-74	Ball Hitch	17#	\$ 350
-75	LP Performance Hitch	57#	\$ 301
<u>You May Choose a Color Option (No Option=Buckskin)</u>			
-81	Green		
-82	Orange		
-83	Red		
-86	Yellow		
<u>You MUST Choose a Blade Option</u>			
-90	Diamond Blade Bar	170#	\$ 1,285
-91	Diamond Blade Bar with Dishpan	230#	\$ 1,579

[^]Gearbox HP rating is based on in field use and performance

RC(M)5710 - 10' Heavy Duty Rotary Cutter

RETURN TO INDEX

60-250 HP



Working Width: 10'6"
 Transport Width: 7'3" w/Narrow Option
 Overall Width: 11'
 Overall Length: 16'3"
 Hitch: Pull-Type, Self-Leveling Hitch & Clevis
 Tongue Jack
 Cutting Height*: 1-1/2" - 16"
 Cutting Capacity: 5"
 Deck Height: 12"
 Deck Thickness: 10 Gauge Top, 3/16" Bottom
 Side Skirt Thickness: 1/4", Removable/Replaceable
 Gearbox Rating^: 250 HP Divider; 225 HP Center & Wing
 Gearbox: 540 rpm or 1000 rpm
 Gearbox Input Shaft: 1-3/4" 20 Spline
 Gearbox Output Shaft: 3"

Input Driveline: Constant Velocity U-Joint Cat. 6, Splined 540 or 1000 RPM
 Connecting Driveline: Cat. 4 or 5 Slip-Clutch Forged Diamond Blade Bar
 Optional Stump-Jumper: 3/16", Round, Dish Shaped
 Optional HD Blade Bar and Dishpans
 Blades: 2 per Section, 1/2" x 4" Heat Treated
 Free Swinging Alloy Steel with Uplift
 Blade Bolt: Keyed with Hardened Flatwasher & Lock Nut
 Blade Overlap: 6"
 Blade Speed:
 540 rpm: Center & Wings: 16,400 fpm
 1000 rpm: Center: 16,400; Wings: 16,000 fpm
 5 or 6 Wheels with Suspension Options
 Wheel Options: 6" x 21" Laminated Tires
 6" x 26" Laminated Tires
 29" x 7.75" x 15" Used Aircraft Tires
 25.5" Foam-Filled Aircraft Tires
 Tapered Roller Bearings & Cast Iron 5-Bolt Hubs with 1-3/4" Shaft
 Wing Transport Locks
 Wing Hydraulics: 3" x 12" Cylinder, Hoses & Fittings
 Height Adjustments: 3" x 8" Cylinder, Hose, Fittings & Flip-over Spacers
 Skid Shoes: Wing & Center, Replaceable AR400 Beveled
 Front and Rear Shielding: Single or Double Chain
 Blade Rotation: C-CW, R-CW
 Lights Standard

Rotary Cutters

YOU MUST ADD 11% SURCHARGE TO PRICES AS OF 8/4/21

MODEL NUMBER	DESCRIPTION	APPROX. MACHINE WEIGHT	LIST PRICE
RC5710	10' HEAVY-DUTY ROTARY CUTTER - 540 rpm	4,432#	\$ 16,170
RCM5710	10' HEAVY-DUTY ROTARY CUTTER - 1000 rpm	4,432#	\$ 16,170
ADD OPTION			
NUMBER	You Must Choose a Tire Option		
-02	21" Laminate, 5 Tires	350#	\$ 779
-03	21" Laminate, 6 Tires	420#	\$ 1,036
-08	29" Used Aircraft, 5 Tires	360#	\$ 1,185
-09	29" Used Aircraft, 6 Tires	432#	\$ 1,519
-11	25.5 New Foam-Filled Aircraft, 5 Tires	635#	\$ 2,282
-12	25.5 New Foam-Filled Aircraft, 6 Tires	762#	\$ 2,823
-14	26" Laminate, 5 Tires	433#	\$ 1,531
-15	26" Laminate, 6 Tires	521#	\$ 1,932

*Varies by tire option.
 ^Gearbox HP rating is based on in field use and performance
 See pg. 55 for optional pricing and color options
 See pg. 67 for available hitches

WARNING!
 Rotary Cutters used in non-agricultural areas must be equipped with front & rear guards. The possibility of thrown objects can be hazardous to persons or property.

RC(M)5710 - 10' Heavy Duty Smooth Top

RETURN TO INDEX

60-250 HP

YOU MUST ADD 11% SURCHARGE TO PRICES AS OF 8/4/21

Rotary Cutters

ADD OPTION

NUMBER	You Must Choose a Center Axle Option			
-21	HD Single Suspension Center Axle	363#	\$	2,023
-22	Independent Suspension Center Axle	459#	\$	2,401
-24	Parallel Pivot Center Axle	443#	\$	2,564
	<u>You Must Choose a Wing Axle Option</u>			
-26	HD Wing Axles (cannot be sold with option -22)	160#	\$	606
-27	Independent Suspension Wing Axles	209#	\$	1,098
-29	Parallel Pivot Wing Axles (Must have 6-Tire Option)	180#	\$	1,136
	<u>If 540 RPM - You Must Pick a Driveline Package</u>			
-32	540 CV Main, Cat 4 Wings	75#	\$	1,721
-34	540 CV Main, Cat 5 Wings	75#	\$	1,848
	<u>If 1000 RPM - You Must Pick a Driveline Package</u>			
-32	1000 1-3/8", CV Main, Cat 4 Wings	75#	\$	1,721
-34	1000 1-3/8", CV Main, Cat 5 Wings	75#	\$	1,848
	<u>You Must Choose One Guard</u>			
-40	Single Chains - Front & Rear	83#	\$	397
-41	Double Chains - Front & Rear	99#	\$	546
	<u>You Must Choose a Deck Ring Option</u>			
-62	Deck Armor™	243#	\$	568
	<u>You Must Choose a Fold Option</u>			
-65	Single-acting Fold Cylinders (3") (1 hose)	38#	\$	362
-66	Dual-acting Fold Cylinders (3") for Narrow Transport (2 hoses)	42#	\$	433
	<u>You Must Choose a Hitch Clevis Option</u>			
-75	Performance Hitch, Self-leveling	62#	\$	384
	<u>You May Choose a Color Option (No Option=Buckskin)</u>			
-82	Orange			
	<u>You Must Choose a Blade Carrier Option</u>			
-90	Diamond Blade Bar	317#	\$	0
-92	HD Blade Bar and Dishpans	429#	\$	211

*Over-running clutch recommended for tractors with instant off PTO
 ^Gearbox HP rating is based on in field use and performance

WARNING! Rotary Cutters used in non-agricultural areas must be equipped with front & rear guards. The possibility of thrown objects can be hazardous to persons or property.

RCB(M)5710 - 10' Heavy Duty Rotary Cutter

With Rephasing Wing Axle Cylinder

RETURN TO INDEX

60-250 HP



Working Width: 10'6"
 Transport Width: 7'3" w/Narrow Option
 Overall Width: 11'
 Overall Length: 16'3"
 Hitch: Pull-Type, Self-Leveling Hitch & Clevis
 Tongue Jack
 Cutting Height*: 1-1/2" - 16"
 Cutting Capacity: 5"
 Deck Height: 12"
 Deck Thickness: 10 Gauge Top, 3/16" Bottom
 Side Skirt Thickness: 1/4", Removable/Replaceable
 Gearbox Rating^: 250 HP Divider; 225 HP Center & Wing
 Gearbox: 540 rpm or 1000 rpm
 Gearbox Input Shaft: 1-3/4" 20 Spline
 Gearbox Output Shaft: 3"
 Input Driveline: Constant Velocity U-Joint Cat. 6,
 Splined 540 or 1000 RPM

Connecting Driveline: Cat. 4 or 5 Slip-Clutch
 Forged Diamond Blade Bar
 Optional Stump-Jumper: 3/16", Round, Dish Shaped
 Optional HD Blade Bar and Dishpans
 Blades: 2 per Section, 1/2" x 4" Heat Treated
 Free Swinging Alloy Steel with Uplift
 Blade Bolt: Keyed with Hardened Flatwasher & Lock Nut
 Blade Overlap: 6"
 Blade Speed:
 540 rpm: Center & Wings: 16,400 fpm
 1000 rpm: Center: 16,400; Wings: 16,000 fpm
 5 or 6 Wheels with Suspension Options
 Wheel Options: 6" x 21" Laminated Tires
 6" x 26" Laminated Tires
 29" x 7.75" x 15" Used Aircraft Tires
 24" x 7.7-10 Used A/C Foam-Filled Tires
 25.5" New, Pneumatic or Foam-Filled
 Tapered Roller Bearings & Cast Iron 5-Bolt Hubs
 with 1-3/4" Shaft
 Wing Transport Locks
 Wing Hydraulics: 3" x 12" Cylinder, Hoses & Fittings
 Height Adjustments: 3" x 8" Cylinder, Hose, Fittings
 & Flip-over Spacers
 Rephasing Wing Axle Cylinder
 Skid Shoes: Wing & Center, Replaceable AR400 Beveled
 Front and Rear Shielding: Single or Double Chain
 Blade Rotation: C-CW, R-CW
 Lights Standard

Rotary Cutters

YOU MUST ADD 11% SURCHARGE TO PRICES AS OF 8/4/21

MODEL NUMBER	DESCRIPTION	APPROX. MACHINE WEIGHT	LIST PRICE
RCB5710	10' HEAVY-DUTY ROTARY CUTTER - 540 rpm	4,492#	\$ 17,035
RCBM5710	10' HEAVY-DUTY ROTARY CUTTER - 1000 rpm	4,492#	\$ 17,035
ADD OPTION			
NUMBER	You Must Choose a Tire Option		
-02	21" Laminate, 5 Tires	350#	\$ 779
-03	21" Laminate, 6 Tires	420#	\$ 1,036
-05	25.5" Aircraft, 5 Tires	435#	\$ 1,893
-06	25.5" Aircraft, 6 Tires	522#	\$ 2,370
-08	29" Used Aircraft, 5 Tires	360#	\$ 1,185
-09	29" Used Aircraft, 6 Tires	432#	\$ 1,519
-11	25.5 New Aircraft, Foam-Filled 5 Tires	632#	\$ 2,282
-12	25.5 New Aircraft, Foam-Filled 6 Tires	762#	\$ 2,823
-14	26" Laminate, 5 Tires	433#	\$ 1,531
-15	26" Laminate, 6 Tires	521#	\$ 1,932
-17	24" Foam-Filled Aircraft, 5 Tires	610#	\$ 2,114
-18	24" Foam-Filled Aircraft, 6 Tires	732#	\$ 2,646

*Varies by tire option.

^Gearbox HP rating is based on in field use and performance

See pg. 57 for optional pricing and color options

See pg.67 for available hitches

WARNING!
 Rotary Cutters used in non-agricultural areas must be equipped with front & rear guards. The possibility of thrown objects can be hazardous to persons or property.

RCB(M)5710 - 10' Heavy Duty Smooth Top

RETURN TO INDEX

Rotary Cutters

60-250 HP

YOU MUST ADD 11% SURCHARGE TO PRICES AS OF 8/4/21

ADD OPTION NUMBER

<u>You Must Choose a Center Axle Option</u>			
-21	HD Single Suspension Center Axle	363#	\$ 2,023
-22	Independent Suspension Center Axle	459#	\$ 2,401
-23	Walking Tandem Center Axle	497#	\$ 2,942
-24	Parallel Pivot Center Axle	443#	\$ 2,682
<u>You Must Choose a Wing Axle Option</u>			
-27	Independent Suspension Wing Axles, Rephasing Cylinder	354#	\$ 1,098
-28	Walking Tandem Wing Axles (Must have 6-Tire Option), Rephasing Cylinder	180#	\$ 1,000
-29	Parallel Pivot Wing Axles (Must have 6-Tire Option), Rephasing Cylinder	180#	\$ 1,136
<u>If 540 RPM - You Must Pick a Driveline Package</u>			
-32	540 CV Main, Cat 4 Wings	75#	\$ 1,721
-34	540 CV Main, Cat 5 Wings	75#	\$ 1,848
<u>If 1000 RPM - You Must Pick a Driveline Package</u>			
-32	1000 1-3/8", CV Main, Cat 4 Wings	75#	\$ 1,721
-34	1000 1-3/8", CV Main, Cat 5 Wings	75#	\$ 1,848
-35	1000 1-3/4", CV Main, Cat. 4 Wings	75#	\$ 1,721
-36	1000 1-3/4", CV Main, Cat. 5 Wing	75#	\$ 1,848
-37	1000 1-3/8", CV Main with Over-Running Clutch, Cat 4 Wings*	75#	\$ 1,881
-38	1000 1-3/8", CV Main with Over-Running Clutch, Cat. 5 Wings*	75#	\$ 2,007
<u>You Must Choose One Guard</u>			
-40	Single Chains - Front & Rear	83#	\$ 397
-41	Double Chains - Front & Rear	99#	\$ 546
<u>You May Choose These Options</u>			
-55	Mechanical Winch	44#	\$ 460
-56	Tool Box	88#	\$ 499
-57	Tow Lugs	20#	\$ 167
<u>You Must Choose a Deck Ring Option</u>			
-60	No Deck Rings	0#	\$ 0
-61	Deck Rings	129#	\$ 568
-62	Deck Armor™	243#	\$ 568
<u>You Must Choose a Fold Option</u>			
-65	Single-acting Fold Cylinders (3") (1 hose)	38#	\$ 362
-66	Dual-acting Fold Cylinders (3") for Narrow Transport (2 hoses)	42#	\$ 433
<u>You Must Choose a Hitch Clevis Option</u>			
-70	Constant Level Clevis Hitch	57#	\$ 341
-72	Bar-tite Hitch	69#	\$ 508
-73	Constant Level Pintle Hitch	71#	\$ 497
-74	Ball Hitch 2-5/16"	28#	\$ 210
-75	Performance Hitch, Self-leveling	62#	\$ 384
<u>You May Choose a Color Option (No Option=Buckskin)</u>			
-81	Green		N/C
-82	Orange		
-83	Red		
-86	Yellow		
<u>You Must Choose a Blade Carrier Option</u>			
-90	Diamond Blade Bar	317#	\$ 0
-91	Bolt-on Dishpans	399#	\$ 125
-92	HD Blade Bar and Dishpans	429#	\$ 211

*Over-running clutch recommended for tractors with instant off PTO
 ^Gearbox HP rating is based on in field use and performance

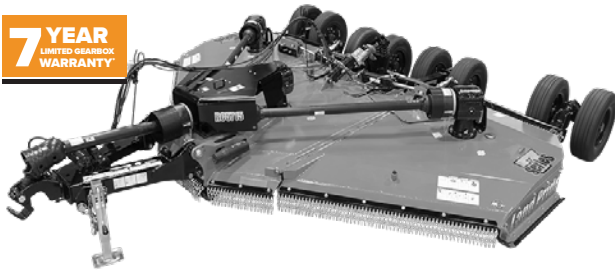
WARNING! Rotary Cutters used in non-agricultural areas must be equipped with front & rear guards. The possibility of thrown objects can be hazardous to persons or property.

RC(M)5715 - 15' Heavy Duty Rotary Cutter

RETURN TO INDEX

60-250 HP

7 YEAR
LIMITED CHASSIS
WARRANTY



Working Width: 15'
 Transport Width: 10'3" Normal, 7'3" w/Narrow Option
 Overall Width: 16'
 Overall Length: 16'3"
 Hitch: Pull-Type, Self-Leveling Hitch & Clevis
 Tongue Jack
 Cutting Height*: 1-1/2" - 16"
 Cutting Capacity: 5"
 Deck Height: 12"
 Deck Thickness: 10 Gauge Top, 3/16" Bottom
 Side Skirt Thickness: 1/4", Removable/Replaceable
 Gearbox Rating^: 250 HP Divider; 225 HP Center & Wings
 Gearbox: 540 rpm or 1000 rpm
 Gearbox Input Shaft: 1-3/4" 20 Spline
 Gearbox Output Shaft: 3"

Input Driveline: Constant Velocity U-Joint Cat. 6,
 Splined 540 or 1000 RPM
 Connecting Driveline: Cat. 4 or 5 Slip-Clutch
 Forged Diamond Blade Bar
 Optional Stump-Jumper: 3/16", Round, Dish Shaped
 Optional HD Blade Bar and Dishpans
 Blades: 2 per Section, 1/2" x 4" Heat Treated
 Free Swinging Alloy Steel with Uplift
 Blade Bolt: Keyed with Hardened Flatwasher & Lock Nut
 Blade Overlap: 6"
 Blade Speed: 540 rpm: Center & Wings: 16,400 fpm
 1000 rpm: Center: 16,400; Wings: 16,000 fpm
 6 or 8 Wheels with Suspension Options
 Wheel Options: 6" x 21" Laminated Tires
 6" x 26" Laminated Tires
 29" x 7.75" x 15" Used Aircraft Tires
 25.5" Foam-Filled Aircraft Tires
 Tapered Roller Bearings & Cast Iron 5-Bolt Hubs
 with 1-3/4" Shaft
 Wing Transport Locks
 Wing Hydraulics: 3" x 12" Cylinder, Hoses & Fittings
 Height Adjustments: 3-1/2" x 8" Cylinder, Hose, Fittings
 & Flip-over Spacers
 Skid Shoes: Wings & Center, Replaceable AR400 Beveled
 Front and Rear Shielding: Single or Double Chain
 Blade Rotation: L-CW, C-CCW, R-CCW
 Lights Standard

Rotary Cutters

YOU MUST ADD 11% SURCHARGE TO PRICES AS OF 8/4/21

MODEL NUMBER	DESCRIPTION	APPROX. MACHINE WEIGHT	LIST PRICE
RC5715-02-21-26-32-40-62-65-75-90	15' HEAVY-DUTY ROTARY CUTTER - 540 rpm 6-21" Laminated Tires, HD Single Suspension Center and Wing Axles, CV, Cat 4 Wing, Chains, Deck Armor, Single Acting Fold Cylinders, Performance Hitch, Diamond Blade Bar	6,185#	\$ 27,127
RC5715-02-24-29-32-40-62-67-75-92	15' HEAVY-DUTY ROTARY CUTTER - 540 rpm 6-21" Laminated Tires, Parallel Pivot Center and Wing Axles, CV, Cat 4 Wing, Chains, Deck Armor, Independent Fold Cylinders, Performance Hitch, HD Blade Bar/Dishpan	6,480#	\$ 29,192
RC5715	15' HEAVY-DUTY ROTARY CUTTER - 540 rpm	3,103#	\$ 18,387
RCM5715	15' HEAVY-DUTY ROTARY CUTTER - 1000 rpm	3,103#	\$ 18,387
ADD OPTION NUMBER	You Must Choose a Tire Option		
-02	21" Laminate, 6 Tires	420#	\$ 1,036
-03	21" Laminate, 8 Tires	560#	\$ 1,514
-08	29" Used Aircraft, 6 Tires	432#	\$ 1,519
-09	29" Used Aircraft, 8 Tires	576#	\$ 2,159
-11	25.5 New Aircraft, Foam-Filled 6 Tires	762#	\$ 2,823
-12	25.5 New Aircraft, Foam-Filled 8 Tires	1,016#	\$ 3,916
-14	26" Laminate, 6 Tires	521#	\$ 1,932
-15	26" Laminate, 8 Tires	694#	\$ 2,719

*Varies by tire option.

^Gearbox HP rating is based on in field use and performance

See pg. 59 for optional pricing and color options

See pg. 67 for available hitches

WARNING!
 Rotary Cutters used in non-agricultural areas must be equipped with front & rear guards. The possibility of thrown objects can be hazardous to persons or property.

RC(M)5715 - 15' Heavy Duty Smooth Top

RETURN TO INDEX

Rotary Cutters

60-250 HP

YOU MUST ADD 11% SURCHARGE TO PRICES AS OF 8/4/21

ADD OPTION NUMBER

<u>You Must Choose a Center Axle Option</u>			
-21	HD Single Suspension Center Axle	363#	\$ 2,023
-22	Independent Suspension Center Axle	459#	\$ 2,401
-24	Parallel Pivot Center Axle	443#	\$ 2,564
<u>You Must Choose a Wing Axle Option</u>			
-26	HD Wing Axles (cannot be sold with option -22)	320#	\$ 1,125
-27	Independent Suspension Wing Axles	418#	\$ 1,990
-29	Parallel Pivot Wing Axles (Must have 8-Tire Option)	360#	\$ 2,293
<u>If 540 RPM - You Must Pick a Driveline Package</u>			
-32	540 CV Main, Cat 4 Wings	78#	\$ 2,066
-34	540 CV Main, Cat 5 Wings	78#	\$ 2,391
<u>If 1000 RPM - You Must Pick a Driveline Package</u>			
-32	1000 1-3/8", CV Main, Cat 4 Wings	78#	\$ 2,066
-34	1000 1-3/8", CV Main, Cat 5 Wings	78#	\$ 2,391
<u>You Must Choose One Guard</u>			
-40	Single Chains - Front & Rear	208#	\$ 656
-41	Double Chains - Front & Rear	312#	\$ 867
<u>You Must Choose a Deck Ring Option</u>			
-62	Deck Armor™	368#	\$ 757
<u>You Must Choose a Fold Option</u>			
-65	Single-acting Fold Cylinders (3") (1 hose)	75#	\$ 693
-66	Dual-acting Fold Cylinders (3") for Narrow Transport (2 hoses)	84#	\$ 784
-67	Independent Single-acting Fold Cylinders (3") (2 hose)	80#	\$ 740
-68	Independent Dual-acting Fold Cylinders (3") for Narrow Transport (4 hoses)	96#	\$ 876
<u>You Must Choose a Hitch Clevis Option</u>			
-75	Performance Hitch, Self-leveling	62#	\$ 384
<u>You May Choose a Color Option (No Option=Buckskin)</u>			
-82	Orange		
<u>You Must Choose a Blade Carrier Option</u>			
-90	Diamond Blade Bar	480#	\$ 0
-92	HD Blade Bar and Dishpans	650#	\$ 308

*Over-running clutch recommended for tractors with instant off PTO
 ^Gearbox HP rating is based on in field use and performance

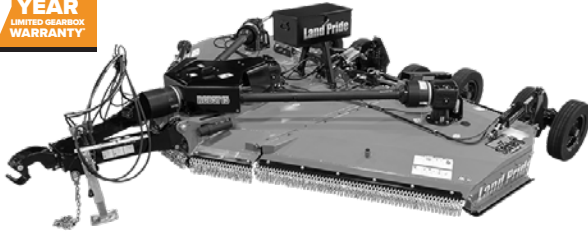
WARNING! Rotary Cutters used in non-agricultural areas must be equipped with front & rear guards. The possibility of thrown objects can be hazardous to persons or property.

RCB(M)5715 - 15' Heavy Duty Rotary Cutter

With rephasing wing axle cylinders

RETURN TO INDEX

60-250 HP



Working Width: 15'
 Transport Width: 10'3" Normal, 7'3" w/Narrow Option
 Overall Width: 16'
 Overall Length: 16'3"
 Hitch: Pull-Type, Self-Leveling Hitch & Clevis
 Tongue Jack
 Cutting Height*: 1-1/2" - 16"
 Cutting Capacity: 5"
 Deck Height: 12"
 Deck Thickness: 10 Gauge Top, 3/16" Bottom
 Side Skirt Thickness: 1/4", Removable/Replaceable
 Gearbox Rating^: 250 HP Divider; 225 HP Center & Wings
 Gearbox: 540 rpm or 1000 rpm
 Gearbox Input Shaft: 1-3/4" 20 Spline
 Gearbox Output Shaft: 3"
 Input Driveline: Constant Velocity U-Joint Cat. 6,
 Splined 540 or 1000 RPM

Connecting Driveline: Cat. 4 or 5 Slip-Clutch
 Forged Diamond Blade Bar
 Optional Stump-Jumper: 3/16", Round, Dish Shaped
 Optional HD Blade Bar and Dishpans
 Blades: 2 per Section, 1/2" x 4" Heat Treated
 Free Swinging Alloy Steel with Uplift
 Blade Bolt: Keyed with Hardened Flatwasher & Lock Nut
 Blade Overlap: 6"
 Blade Speed:
 540 rpm: Center & Wings: 16,400 fpm
 1000 rpm: Center: 16,400; Wings: 16,000 fpm
 6 or 8 Wheels with Suspension Options
 Wheel Options: 6" x 21" Laminated Tires
 6" x 26" Laminated Tires
 29" x 7.75" x 15" Used Aircraft Tires
 24" x 7.7-10 Used A/C Foam-Filled Tires
 25.5" New, Pneumatic or Foam-Filled
 Tapered Roller Bearings & Cast Iron 5-Bolt Hubs
 with 1-3/4" Shaft
 Wing Transport Locks
 Wing Hydraulics: 3" x 12" Cylinder, Hoses & Fittings
 Height Adjustments: 3" x 8" Cylinder, Hose, Fittings
 & Flip-over Spacers
 Rephasing wing axle cylinders
 Skid Shoes: Wings & Center, Replaceable AR400 Beveled
 Front and Rear Shielding: Single or Double Chain
 Blade Rotation: L-CW, C-CCW, R-CCW
 Lights Standard

Rotary Cutters

YOU MUST ADD 11% SURCHARGE TO PRICES AS OF 8/4/21

MODEL NUMBER	DESCRIPTION	APPROX. MACHINE WEIGHT	LIST PRICE
RCB5715	15' HEAVY-DUTY ROTARY CUTTER - 540 rpm	3,861#	\$ 18,604
RCBM5715	15' HEAVY-DUTY ROTARY CUTTER - 1000 rpm	3,861#	\$ 18,604
ADD OPTION			
NUMBER	You Must Choose a Tire Option		
-02	21" Laminate, 6 Tires	420#	\$ 1,036
-03	21" Laminate, 8 Tires	560#	\$ 1,514
-05	25.5" Aircraft, 6 Tires	522#	\$ 2,370
-06	25.5" Aircraft, 8 Tires	696#	\$ 3,295
-08	29" Used Aircraft, 6 Tires	432#	\$ 1,519
-09	29" Used Aircraft, 8 Tires	576#	\$ 2,159
-11	25.5" New Aircraft, Foam-Filled 6 Tires	762#	\$ 2,823
-12	25.5" New Aircraft, Foam-Filled 8 Tires	1,016#	\$ 3,916
-14	26" Laminate, 6 Tires	521#	\$ 1,932
-15	26" Laminate, 8 Tires	694#	\$ 2,719
-17	24" Foam-Filled Aircraft, 6 Tires	732#	\$ 2,646
-18	24" Foam-Filled Aircraft, 8 Tires	976#	\$ 3,682

*Varies by tire option.
 ^Gearbox HP rating is based on in field use and performance
 See pg. 61 for optional pricing and color options
 See pg. 67 for available hitches

WARNING!
 Rotary Cutters used in non-agricultural areas must be equipped with front & rear guards. The possibility of thrown objects can be hazardous to persons or property.

RCB(M)5715 - 15' Heavy Duty Rotary Cutter

With rephasing wing axle cylinders

RETURN TO INDEX

Rotary Cutters

60-250 HP

YOU MUST ADD 11% SURCHARGE TO PRICES AS OF 8/4/21

ADD OPTION NUMBER

<u>You Must Choose a Center Axle Option</u>		
-21	HD Single Suspension Center Axle	363# \$ 2,023
-22	Independent Suspension Center Axle	459# \$ 2,466
-23	Walking Tandem Center Axle	497# \$ 2,942
-24	Parallel Pivot Center Axle	443# \$ 2,682
<u>You Must Choose a Wing Axle Option</u>		
-27	Independent Suspension Wing Axles, Rephasing Cylinders	418# \$ 1,990
-28	Walking Tandem Wing Axles (Must have 8-Tire Option), Rephasing Cylinders	359# \$ 2,109
-29	Parallel Pivot Wing Axles (Must have 8-Tire Option), Rephasing Cylinders	360# \$ 2,293
<u>If 540 RPM - You Must Pick a Driveline Package</u>		
-32	540 CV Main, Cat 4 Wings	78# \$ 2,066
-34	540 CV Main, Cat 5 Wings	78# \$ 2,391
-37	1-3/8" CV Main with Over-Running Clutch, Cat. 4 Wings*	78# \$ 2,241
-38	1-3/8" CV Main with Over-Running Clutch, Cat. 5 Wings*	78# \$ 2,591
<u>If 1000 RPM - You Must Pick a Driveline Package</u>		
-32	1000 1-3/8", CV Main, Cat 4 Wings	78# \$ 2,066
-34	1000 1-3/8", CV Main, Cat 5 Wings	78# \$ 2,391
-35	1000 1-3/4", CV Main, Cat. 4 Wings	78# \$ 2,323
-36	1000 1-3/4", CV Main, Cat. 5 Wing	78# \$ 2,641
-37	1000 1-3/8", CV Main with Over-Running Clutch, Cat 4 Wings*	78# \$ 2,241
-38	1000 1-3/8", CV Main with Over-Running Clutch, Cat. 5 Wings*	78# \$ 2,591
<u>You Must Choose One Guard</u>		
-40	Single Chains - Front & Rear	208# \$ 656
-41	Double Chains - Front & Rear	312# \$ 867
<u>You May Choose These Options</u>		
-55	Mechanical Winch	44# \$ 460
-56	Tool Box	88# \$ 499
-57	Tow Lugs	20# \$ 167
<u>You Must Choose a Deck Ring Option</u>		
-60	No Deck Rings	0# \$ 0
-61	Deck Rings	195# \$ 757
-62	Deck Armor™	368# \$ 757
<u>You Must Choose a Fold Option</u>		
-65	Single-acting Fold Cylinders (3") (1 hose)	75# \$ 693
-66	Dual-acting Fold Cylinders (3") for Narrow Transport (2 hoses)	84# \$ 784
-67	Independent Single-acting Fold Cylinders (3") (2 hoses)	80# \$ 740
-68	Independent Dual-acting Fold Cylinders (3") for Narrow Transport (4 hoses)	96# \$ 876
<u>You Must Choose a Hitch Clevis Option</u>		
-70	Constant Level Clevis Hitch	57# \$ 341
-72	Bar-tite Hitch	69# \$ 508
-73	Constant Level Pintle Hitch	71# \$ 497
-74	Ball Hitch 2-5/16"	28# \$ 210
-75	Performance Hitch, Self-leveling	62# \$ 384
<u>You May Choose a Color Option (No Option=Buckskin)</u>		
-81	Green	N/C
-82	Orange	
-83	Red	
-86	Yellow	
<u>You Must Choose a Blade Carrier Option</u>		
-90	Diamond Blade Bar	480# \$ 0
-91	Bolt-on Dishpans	605# \$ 223
-92	HD Blade Bar and Dishpans	650# \$ 308
-94	Shredder Kit, Stacked Blades	583# \$ 1,159

*Over-running clutch recommended for tractors with instant off PTO
 ^Gearbox HP rating is based on in field use and performance

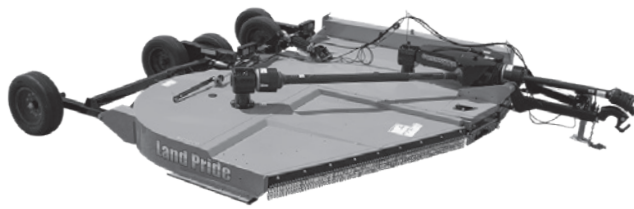
WARNING! Rotary Cutters used in non-agricultural areas must be equipped with front & rear guards. The possibility of thrown objects can be hazardous to persons or property.

RC5014-2 - 14' Heavy Duty Offset

RETURN TO INDEX

90-250 HP

7 YEAR
LIMITED GEARBOX
WARRANTY



Working Width: 14'
Transport Width: 8' 9"
Overall Width: 15'
Overall Length: 19' 3"
Hitch: Pull-Type, Self-Leveling Hitch, Clevis Hitch,
Pintle Hitch, Bar-Tite Hitch
Tongue Jack
Cutting Height*: 2" - 14"
Cutting Capacity: 3"
Deck Height: 10¹/₂"
Deck Thickness: 10 Gauge
Side Skirt Thickness: 1/4"

Gearbox Rating[^]: 250 HP Divider, 225 HP Center & Wings
Gearbox: 540 or 1000 rpm
Gearbox Input Shaft: 1³/₄" 20 Spline
Gearbox Output Shaft: 2³/₈"
Input Driveline: Constant Velocity U-Joint Cat. 6, Splined
540 or 1000 RPM
Connecting Driveline: Cat. 5 Slip-Clutch
Stump-Jumper: 3/16", Round, Dish Shaped (Optional)
Diamond Blade Bar
Blades: 2 per Section, 1/2" x 4" Heat Treated
Free Swinging Alloy Steel with Uplift
Blade Bolt: Keyed with Hardened Flatwasher & Lock Nut
Blade Overlap: 6"
Blade Speed:
540 rpm: Center: 17,377 fpm, Wings: 17,329 fpm
1000 rpm: Center: 18,165 fpm, Wings: 18,317 fpm
5 or 6 Wheel Option, with Spring-Cushioned Center Axle
Tire Options:
29" Used Aircraft Tires
6" x 21" Laminated Tires, 6" x 26" Laminated
27" x 7.75-15 Aircraft Tires w/ Foam
Tapered Roller Bearings & Cast Iron 5-Bolt Hubs w/1³/₄" Shaft
Wing Transport Locks
Wing Hydraulics: 3¹/₂" x 12" Cylinder, Hoses & Fittings
Height Adjustments: 4" x 8" Cylinder, Hose, Fittings
& Stroke Control Spacers
Skid Shoes: Wings Reversible & Center, Both Replaceable
Front and Rear Shielding: Single or Double Chain
Optional Deck Rings - 1/2" x 3" Fully Welded
Lights Standard

Rotary Cutters

For 1000 RPM, change prefix to RCM

YOU MUST ADD 11% SURCHARGE TO PRICES AS OF 8/4/21

SEE NEXT PAGE FOR PRICING.

[^]Gearbox HP rating is based on in field use and performance
^{*}Maximum cutting height is dependent on tire options selected.
See pg. 63 for optional pricing and color option
See pg. 69 for available hitches

WARNING!
Rotary Cutters used in non-agricultural areas must be equipped with front & rear guards. The possibility of thrown objects can be hazardous to persons or property.

RC5014-2 - 14' Heavy Duty Offset

RETURN TO INDEX

Rotary Cutters

TO BUILD A UNIT NOT LISTED IN CONFIGURED UNIT PRICING, USE THE FOLLOWING.

YOU MUST ADD 11% SURCHARGE TO PRICES AS OF 8/4/21

MODEL NUMBER	DESCRIPTION	APPROX. MACHINE WT	LIST PRICE
RC5014-2	14' HEAVY DUTY OFFSET ROTARY CUTTER - 540 rpm	6233#	\$ 21,817
RCM5014-2	14' HEAVY DUTY OFFSET ROTARY CUTTER - 1000 rpm	6233#	\$ 21,817
ADD OPTION			
<u>You Must Choose One Front Guard</u>			
-01	Single Row Chain Guard (318-816A)	141#	\$ 466
-03	Double Row Chain Guard (318-818A)	155#	\$ 650
<u>You Must Choose One Wheel & Axle Assembly</u>			
-11	26" Laminate, 4 Center, Dual Wing	1067#	\$ 3,557
-12	21" Laminate, 4 Center, Single Wing	763#	\$ 2,455
-14	27" Foam Filled Aircraft, 4 Center, Single Wing	1039#	\$ 4,075
-22	27" Foam Filled Aircraft, 4 Standard Center, Dual Wing	1169#	\$ 4,635
-23	29" Aircraft, 4 Standard Center, Single Wing	874#	\$ 3,455
-24	29" Aircraft, 4 Standard Center, Dual Wing	854#	\$ 3,147
<u>You Must Choose One Driveline Package</u>			
-32	Constant Velocity U-Joint - Cat. 6, 540 rpm - 1-3/8" - 6 Spline	75#	\$ 1,806
-32	Constant Velocity U-Joint - Cat. 6, 1000 rpm - 1-3/8" - 21 Spline	75#	\$ 1,806
<u>You Must Choose One Rear Guard</u>			
-41	Single Row Chain Guard (318-823A)	79#	\$ 326
-43	Double Row Chain Guard (318-825A)	100#	\$ 412
<u>You Must Choose Deck Rings or No Deck Rings</u>			
-60	No Deck Rings	0#	\$ 0
-61	Deck Rings	131#	\$ 758
<u>You Must Choose A Hitch Clevis Option</u>			
-75	Performance Hitch - Self Leveling, Up, Down & Side to Side Swivel	57#	\$ 301
<u>You May Choose A Color Option (No Option=Buckskin)</u>			
-82	Orange		
<u>You Must Choose A Blade Option</u>			
-90	Diamond Blade Bar	300#	\$ 1,029
-91	Diamond Blade Bar with Dishpan	455#	\$ 1,380

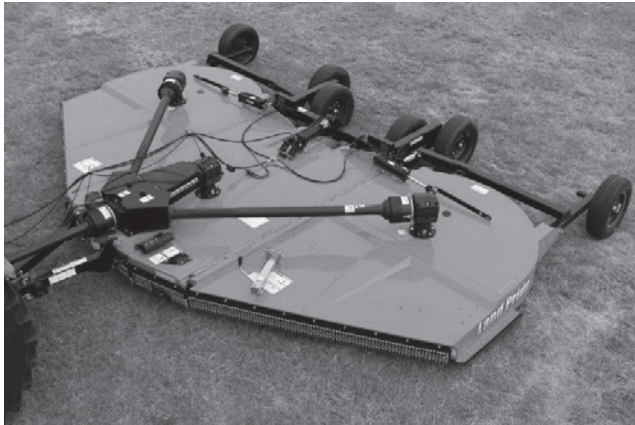
See page 71 for additional accessories. ^Gearbox HP rating is based on in field use and performance

RC5020-2 - 20' Heavy Duty

[RETURN TO INDEX](#)

Rotary Cutters

90-250 HP



Working Width: 20'
 Transport Width: 8' 9"
 Overall Width: 20' 9 1/2"
 Overall Length: 19' 3"
 Hitch: Pull-Type, Self-Leveling Hitch, Clevis Hitch, Pintle Hitch, Bar-Tite Hitch
 Tongue Jack
 Cutting Height: 2" - 14"
 Cutting Capacity: 3"
 Deck Height: 10 1/2"
 Deck Thickness: 10 Gauge
 Side Skirt Thickness: 1/4"

Gearbox Rating[^]: 250 HP Divider, 225 HP Center & Wings
 Gearbox: 540 or 1000 rpm
 Gearbox Input Shaft: 1 3/4" 20 Spline
 Gearbox Output Shaft: 2 3/8"
 Input Driveline: Constant Velocity U-Joint Cat. 6, Splined 540 or 1000 RPM
 Connecting Driveline: Cat. 5 Slip-Clutch
 Stump-Jumper: 3/16", Round, Dish Shaped (Optional)
 Diamond Blade Bar
 Blades: 2 per Section, 1/2" x 4" Heat Treated Free Swinging Alloy Steel with Uplift
 Blade Bolt: Keyed with Hardened Flatwasher & Lock Nut
 Blade Overlap: 6"
 Blade Speed:
 540 rpm: Center: 17,377 fpm, Wings: 17,329 fpm
 1000 rpm: Center: 18,165 fpm, Wings: 18,317 fpm
 6 or 8 Wheel Option, with Spring-Cushioned Center Axle
 Tire Options:
 29" Used Aircraft Tires
 6" x 21" Laminated Tires, 6" x 26" Laminated
 27" x 7.75-15 Aircraft Tires w/ Foam
 Tapered Roller Bearings & Cast Iron 5-Bolt Hubs w/1 3/4" Shaft
 Wing Transport Locks
 Wing Hydraulics: 3 1/2" x 12" Cylinder, Hoses & Fittings
 Height Adjustments: 4" x 8" Cylinder, Hose, Fittings & Stroke Control Spacers
 Skid Shoes: Wings Reversible & Center, Both Replaceable
 Front and Rear Shielding: Single or Double Chain
 Optional Deck Rings - 1/2" x 3" Fully Welded
 Lights Standard

For 1000 RPM, change prefix to RCM

YOU MUST ADD 11% SURCHARGE TO PRICES AS OF 8/4/21

MODEL NUMBER	DESCRIPTION	APPROX. MACHINE WEIGHT	SHIPPING WEIGHT	LIST PRICE
RC5020 -2 -01-12-32-41-60-75-91	20' HEAVY DUTY ROTARY CUTTER - 540 rpm Front Chains (01) 6- 21" Laminated Tires (12) CV Driveline with Cat 4 Wings (32) Rear Chains (41) Without Deck Rings (60) Performance Hitch (75) Diamond Blade Bar with Dishpan (91)	12396#	12396#	\$ 34,954
RC5020-2 -01-14-32-41-60-75-91	20' HEAVY DUTY ROTARY CUTTER - 540 rpm Front Chains (01) 6- 27" Aircraft Tires (14) CV Driveline with Cat 4 Wings (32) Rear Chains (41) Without Deck Rings (60) Performance Hitch (75) Diamond Blade Bar with Dishpan (91)	12464#	12464#	\$ 36,919

[^]Gearbox HP rating is based on in field use and performance
 *Maximum cutting height id dependent on tire options selected.
 See pg. 65 for optional pricing and color option
 See pg. 69 for available hitches

WARNING!
 Rotary Cutters used in non-agricultural areas must be equipped with front & rear guards. The possibility of thrown objects can be hazardous to persons or property.

RC5020-2 - 20' Heavy Duty

RETURN TO INDEX

YOU MUST ADD 11% SURCHARGE TO PRICES AS OF 8/4/21

TO BUILD A UNIT NOT LISTED IN CONFIGURED UNIT PRICING, USE THE FOLLOWING.

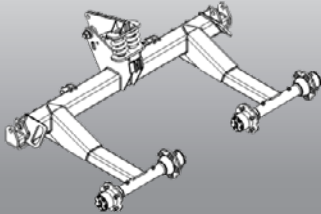
MODEL NUMBER	DESCRIPTION	APPROX. MACHINE WT	LIST PRICE
RC5020-2	20' HEAVY DUTY ROTARY CUTTER - 540 rpm	5462#	\$ 26,718
RCM5020-2	20' HEAVY DUTY ROTARY CUTTER - 1000 rpm	5462#	\$ 26,718
ADD OPTION			
<u>You Must Choose One Front Guard</u>			
-01	Single Row Chain Guard (318-439A)	211#	\$ 645
-03	Double Row Chain Guard (318-482A)	233#	\$ 862
<u>You Must Choose One Wheel & Axle Assembly</u>			
-11	26" Laminate, 4 Center, Dual Wings	1302#	\$ 4,395
-12	21" Laminate, 4 Center, Single Wings	1034#	\$ 2,732
-14	27" Foam Filled Aircraft, 4 Center, Single Wing	1102#	\$ 4,697
-22	27" Foam Filled Aircraft, 4 Standard Center, Dual Wings	1450#	\$ 5,919
-23	29" Aircraft, 4 Standard Center, Single Wings	1186#	\$ 3,229
-24	29" Aircraft, 4 Standard Center, Dual Wings	1331#	\$ 3,876
<u>You Must Choose One Driveline Package</u>			
-32	Constant Velocity U-Joint - Cat. 6, 540 rpm - 1-3/8" - 6 Spline	78#	\$ 2,100
-32	Constant Velocity U-Joint - Cat. 6, 1000 rpm - 1-3/8" - 21 Spline	78#	\$ 2,100
<u>You Must Choose One Rear Guard</u>			
-41	Single Row Chain Guard (318-440A)	119#	\$ 462
-43	Double Row Chain Guard (318-484A)	150#	\$ 583
<u>You Must Choose Deck Rings or No Deck Rings</u>			
-60	No Deck Rings	0#	\$ 0
-61	Deck Rings	4968#	\$ 1,141
<u>You Must Choose A Hitch Clevis Option</u>			
-75	Performance Hitch - Self Leveling, Up, Down & Side to Side Swivel	57#	\$ 301
<u>You May Choose A Color Option (No Option=Buckskin)</u>			
-82	Orange		
<u>You Must Choose A Blade Option</u>			
-90	Diamond Blade Bar	450#	\$ 1,561
-91	Diamond Blade Bar with Dishpan	682#	\$ 1,996

Rotary Cutters

Land Pride offers a multitude of axle options to ensure your Rotary Cutter is properly fitted for its intended application. The axles listed below can be equipped with any of our tire options available for each model and series. The Single Suspension Center and Wing is the only axle available on the RC3715.

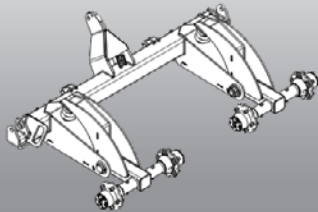
Single Suspension Center and Wing

With this axle configuration, suspension is provided by two springs located directly behind the center deck's lift cylinder. The center and wing axles are all cushioned through the springs on the center axle. It provides an economical option for budget conscious buyers while providing adequate suspension for mostly flat terrains.



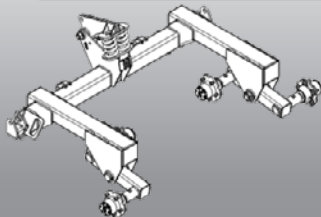
HD Single Suspension Center Axle

This Heavy Duty (HD) center axle option provides suspension by using two springs located directly behind the center deck's lift cylinder. The HD axles features larger tubing and gussets than the Single Suspension, making it a great option when the cutter's main application goes just beyond flat and even terrain. This option has few moving parts.



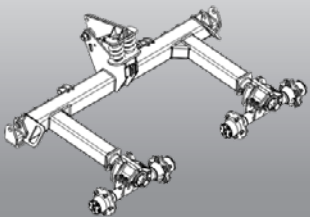
Independent Suspension Center Axle

As the name implies, this axle option provides independent suspension. Each trailing arm features a rocker and spring to better handle rough terrain. When field terrains are less than ideal, and additional suspension support is needed, the center axle option will easily meet user expectations.



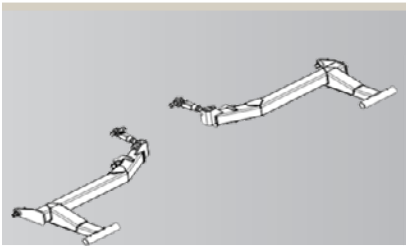
Walking Tandem Center Axle

Land Pride's walking tandem axle features the spring suspension behind the lift cylinder plus a beam on each trailing arm that pivots front to back at the center of the beam with a spindle in front and a spindle in back of the pivot. This front to back axle pivot is great for walking through washouts and on/off curbs.



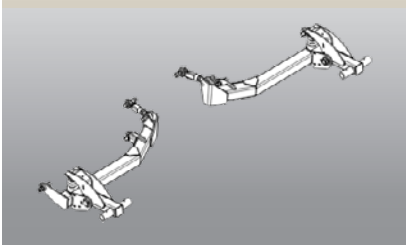
Parallel Pivot Center Axle

Land Pride's patented Parallel Pivot™ axle features a beam on each trailing arm that pivots side to side. The side to side pivoting action spreads the weight evenly between the wheels and keeps all tires in contact with the ground. This axle is great for holding slopes and handling undulating terrain while minimizing tire wear.



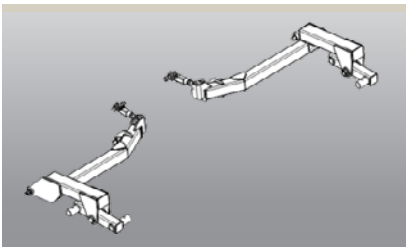
HD Single Suspension Wing Axle

This Heavy Duty (HD) wing axle option is a rigid wing axle that relies on the spring suspension from the center deck. The HD axles features bigger tubing and large gussets than the Single Suspension and is a good option when the cutter's main application goes just beyond flat and even terrain. This option has few moving parts.



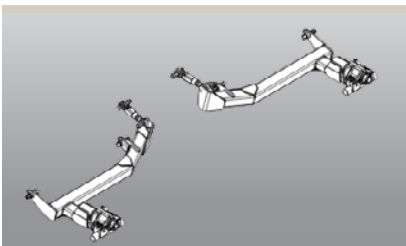
Independent Suspension Wing Axle

This axle option provides independent suspension to both wings. Each wing receives support through the wing axle's trailing arm, which features a rocker and spring to better handle rough terrain. When field terrain is challenging, this wing axle option ensures ample suspension support across the full width of the cutter.



Walking Tandem Wing Axle

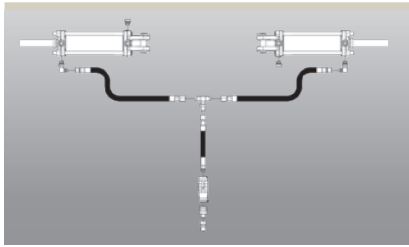
This option requires 8 tires. The walking tandem wing axles a beam on the trailing arm that pivots front to back at the center of the beam with a spindle in front and a spindle in back of the pivot. This front to back axle pivot is ideal for walking through washouts and on/off curbs. Walking Tandem wing axles are not well suited for applications that require frequent turning.



Parallel Pivot Wing Axle

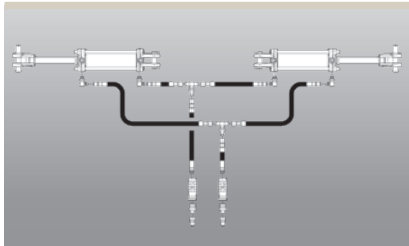
This option requires 8 tires. Land Pride's patented Parallel Pivot™ axle features a beam on the trailing arm of each wing that pivots side to side. The side to side pivoting action spreads the weight evenly between the wheels and keeps all tires in contact with the ground. This axle is great for holding slopes and undulating terrain while minimizing tire wear.

Land Pride offers four wing folding options to best suit your application. The dual-acting cylinders have a narrower transport width than single-acting cylinders.



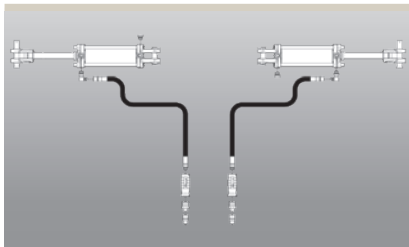
Single-acting

Simultaneously raise and lower wings with single-acting cylinders. This option relies on gravity to pull wings to ground and uses 1 hydraulic duplex.



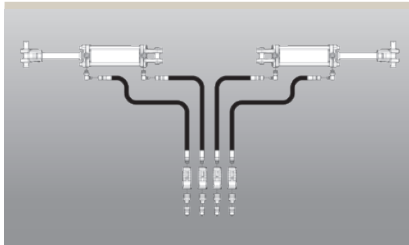
Dual-acting

Simultaneously raise and lower wings with dual-acting cylinders. This option hydraulically powers wings up and down and uses 1 hydraulic duplex.



Independent Single-acting

Independently raise and lower each wing with single acting cylinders. This option relies on gravity to pull wings to ground and uses 2 hydraulic duplexes.



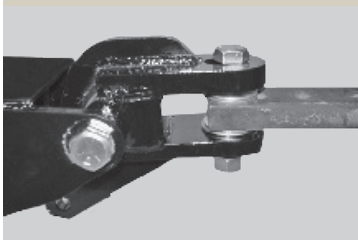
Independent Dual-acting

Independently raise and lower each wing with dual-acting cylinders. This option hydraulically powers wings up and down and uses 2 hydraulic duplexes.



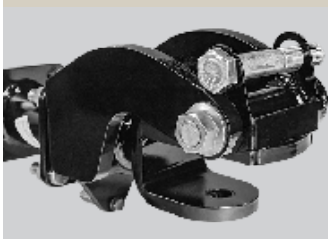
Swivel Clevis

- Swivels



Self-Leveling Hitch

- Self-Leveling



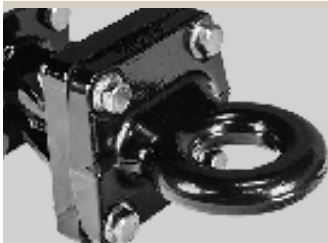
LP Performance Hitch

- Self-Leveling
- Swivels up and down, and rotates side to side for uneven terrain
- Held upright by hitch pin to allow for simple person hook-up
- Reduces drawbar wear



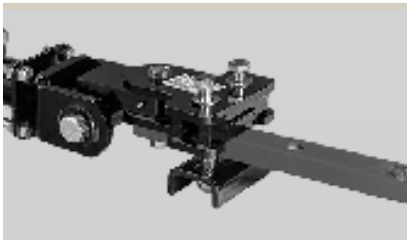
Ball Hitch

- Swivels over the 2-5/16" tractor mounted ball



Pintle Hitch

- Swivels on the pintle connection
- Ideal for a drawbar hammer strap

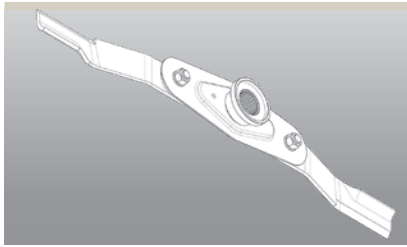


Bar-Tite Clevis

- Bolts tight to drawbar which eliminates any drawbar wear
- Hardened bushing with grease zerk on side to side movement
- Swivels up and down
- Grease zerk on rotating shaft
- Heat-treated components

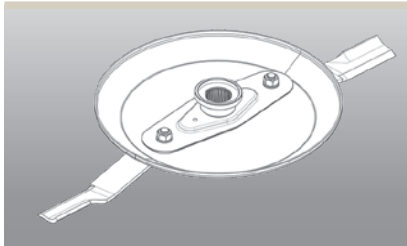
Not all hitches are available on all cutters. See dealer for details.

Land Pride Folding Rotary Cutters are equipped with one of four blade carrier options to fit a variety of applications. These options are not available on all models; please refer to the price page for each model



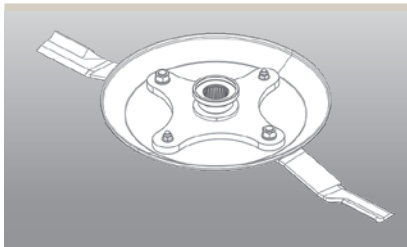
Diamond Blade Bar

The diamond blade bar is a 1" forged steel bar with a length of just over 25" and a width that tapers from 8.25" in the center to just under 6" at the ends. There is a 45 degree bevel that acts like a ramp to float over any obstacles that may be encountered. Blade bolt holes are machined and keyed.



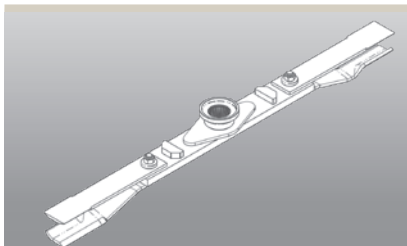
Diamond Blade Bar with Bolt-on Dishpan

This option is the same 1" forged steel bar with a dishpan bolted to it. The dishpan is formed from 3/16" steel. Once formed it has a 2.5" depth and a 30 degree formed edge to jump over stumps, rocks, or other obstructions.



HD Blade Bar and Dishpans

Land Pride's heavy-duty blade bar is a 1" thick by 17-7/16" cross that carries the dish pan and blades. The 3/16" dishpan is bolted to the blade bar at four points. This option is ideal for bid units.



Shredder Kit

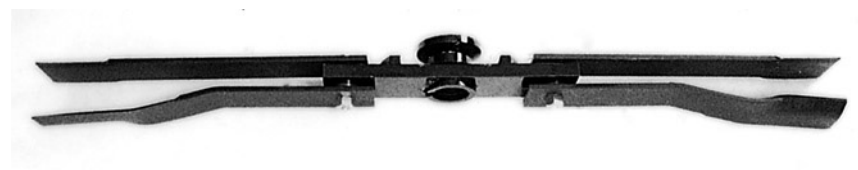
For customers in row-crop applications, Land Pride offers a shredder kit that consists of a 1-1/4" x 5" flat blade bar with stacked blades for shredding.

ADDITIONAL ACCESSORIES FOR 55 AND 65 SERIES 15' AND 50 SERIES 20' ROTARY CUTTERS. AVAILABLE THROUGH PARTS DEPT. ONLY.


YOU MUST ADD 11% SURCHARGE TO PRICES AS OF 8/4/21

PART NUMBER	DESCRIPTION	APPROX. WEIGHT	LIS-451RICE
318-316A	HYDRAULIC WING CONTROL KIT (for 15') to hydraulically control each wing independently	8#	\$ 108
318-553A	HYDRAULIC WING CONTROL KIT - (for 20') to hydraulically control each wing independently	8#	\$ 120
330-291S	SMV Kit - RC55 and RC65 Series only	4#	\$ 53
330-229A	Weight Box Lock - Locks the weight box on 10' wing Rotary Cutters		\$ 120

Photo of Shredder Blade Kit



330-094A	SHREDDER KIT (RC5515 and RC6515) when ordered seperately		\$ 1,889
318-958A	SHREDDER KIT (RC5020) when ordered seperately	526#	\$ 2,451
330-114A	FRONT BAFFLE KIT (RC5020)	201#	\$ 896
330-585A	REAR BAFFLE KIT (RC5020)	209#	\$ 502
330-309A	SHREDDER W/FIXED BLADE & BAFFLES (RC5020) (SN 635287 & Above)		\$ 3,857
330-308A	SHREDDER W/FIXED BLADE (RC5020) (SN 635287 & Above)		\$ 2,985
790-011A	DISH PAN REMOVAL TOOL	65#	\$ 254

WARNING!
 Rotary Cutters used in non-agricultural areas must be equipped with front & rear guards. The possibility of thrown objects can be hazardous to persons or property.

RCP2760 - Hydraulic Parallel Arm

RETURN TO INDEX

75 HP Min. - Minimum Tractor Weight: 8000 lbs.

Quick Hitch



Gearbox: 540 or 1000 rpm
 Cutting Width: 58"
 Hitch: Cat. 2 & 3, Clevis Type Lower Hitch
 Deck Thickness: 10 Gauge
 Minimum Cutting Height: 2"
 Cutting Capacity: 2" Diameter
 Stump Jumper: 3/16" x 21" Round, Dish Shaped
 Blade Holder: 1" x 4"; Blades: 1/2" x 4"

Blade Bolt: Keyed w/Hardened Flat Washer & Lock Nut
 Blade Tip Speed: 15,000 fpm
 Blade Rotation: Clockwise
 Horizontal Cutting Reach: 15'6" Maximum
 Vertical Cutting Reach: 11'5" Maximum
 Below Ground Level Reach: 9'1" Maximum
 Operating Tilt Arc: 180 Degrees
 2 Parallel Arm Cylinders with Hoses & Fittings
 One Deck Cylinder with Hoses & Fittings
 Hydraulic Outlets Needed: See specific model
 One Hydraulic Breakaway with Reset
 Transport Width: 10'1" Minimum
 Driveline: Cat. 2
 High Efficiency PTO Pump
 Hydraulic Oil Capacity: 40 Gallons (Not included)
 Hydraulic Oil Flow: 15 gpm
 850 lb. Built-in Ballast Weight
 Overload Protection: Relief Valve
 Case Drained Deck Motor
 Oil Pressure Gauge
 Return Line Filter
 Tank Shut-Off Valve
 Breather Cap/Dip Stick
 2 Parking Stands
 Flow Control Valve
Performance Matched, with proper ballast, to These Tractors Only: M6, M7

Rotary Cutters

YOU MUST ADD 11% SURCHARGE TO PRICES AS OF 8/4/21

MODEL NUMBER	DESCRIPTION	APPROX. MACHINE WEIGHT	SHIPPING WEIGHT	LIST PRICE
RCP2760-02	27 SERIES HYDRAULIC PARALLEL ARM ROTARY CUTTER - 60", 540 RPM Front & Rear Chains, Hydraulic hoses for direct hook-up to tractor hydraulics <i>(Four sets of tractor outlets needed for this option)</i>	3,280#	3,280#	\$ 23,389
RCP2760-05	27 SERIES HYDRAULIC PARALLEL ARM ROTARY CUTTER - 60", 540 RPM Front and Rear Chains, No Float <i>(0 set of tractor outlets needed for Hydraulic Breakaway Cylinder)</i>	3,280#	3,280#	\$ 26,644
RCP2760-06	27 SERIES HYDRAULIC PARALLEL ARM ROTARY CUTTER - 60", 540 RPM Float Valve, Front & Rear Chains <i>(0 set of tractor outlets needed for Hydraulic Breakaway Cylinder)</i>	3,280#	3,280#	\$ 26,806
ADD OPTION NO.	YOU MAY CHOOSE			
-10	Gauge Wheels 2 Front and 1 Rear 13" x 5" Semi-Solid Gauge Wheels+ <i>This option allows the cutting deck to follow the contour of the ground</i>	230#	230#	\$ 941
	YOU MAY CHOOSE A COLOR OPTION (NO OPTION = BUCKSKIN)			
-82	Orange			
ACCESSORY				
316-063A	Debris Guard - for use with tractors without a cab			\$ 366

For 1000 RPM, change prefix to RCPM

temporarily suspended

NOTE: Use of Quick Hitch on some tractors may require longer driveline.
 Gearbox HP rating is based on in field use and performance

WARNING!
 Rotary Cutters used in non-agricultural areas must be equipped with front & rear guards. The possibility of thrown objects can be hazardous to persons or property.

RCP3760 - Hydraulic Parallel Arm

RETURN TO INDEX

95 HP Min. - Minimum Tractor Weight: 12,000 lbs.



Gearbox: 540 or 1000 rpm
 Cutting Width: 58"
 Hitch: Cat. 2 & 3
 Clevis Type Lower Hitch
 Deck Thickness: 10 Gauge
 Minimum Cutting Height: 2"
 Cutting Capacity: 2" Diameter
 Stump Jumper: 3/16" x 21" Round, Dish Shaped
 Blade Holder: 1" x 4"

Blades: 1/2" x 4"
 Blade Bolt: Keyed w/Hardened Flat Washer & Lock Nut
 Blade Tip Speed: 15,000 fpm
 Blade Rotation: Clockwise
 Horizontal Cutting Reach: 18'10 1/2" Maximum
 Vertical Cutting Reach: 13'5" Maximum
 Below Ground Level Reach: 11' Maximum
 Operating Tilt Arc: 180 Degrees
 2 Parallel Arm Cylinders with Hoses & Fittings
 One Deck Cylinder with Hoses & Fittings
 Hydraulic Outlets Needed: See specific model
 One Hydraulic Breakaway with Reset
 Transport Width: 10'1" Minimum
 Driveline: Cat. 2
 High Efficiency PTO Pump
 Hydraulic Oil Capacity: 40 Gallons (Not included)
 Hydraulic Oil Flow: 15 gpm
 850 lb. Built-in Ballast Weight
 Overload Protection: Relief Valve
 Case Drained Deck Motor
 Oil Pressure Gauge
 Return Line Filter
 Tank Shut-Off Valve
 Breather Cap/Dip Stick
 2 Parking Stands
 Flow Control Valve

**For 1000 RPM,
 change prefix
 to RCPM**

**Performance Matched, with proper ballast, to These Tractors
 Only: M7**

Rotary Cutters

YOU MUST ADD 11% SURCHARGE TO PRICES AS OF 8/4/21

MODEL NUMBER	DESCRIPTION	APPROX. MACHINE WEIGHT	SHIP-PING WEIGHT	LIST PRICE
RCP3760-02	37 SERIES HYDRAULIC PARALLEL ARM ROTARY CUTTER - 60", 540 RPM Front & Rear Chains, Hydraulic hoses for direct hook-up to tractor hydraulics <i>(Four sets of tractor outlets needed for this option)</i>	3,635#	3,635#	\$ 24,979
RCP3760-05	37 SERIES HYDRAULIC PARALLEL ARM ROTARY CUTTER - 60", 540 RPM Front & Rear Chains, No Float <i>(0 set of tractor outlets needed for Hydraulic Breakaway Cylinder)</i>	3,635#	3,635#	\$ 28,234
RCP3760-06	37 SERIES HYDRAULIC PARALLEL ARM ROTARY CUTTER- 60", 540 RPM Front & Rear Chains, Float <i>(0 set of tractor outlets needed for Hydraulic Breakaway Cylinder)</i>	3,635#	3,635#	\$ 28,396
ADD OPTION NO.	YOU MAY CHOOSE GAUGE WHEELS WITH OPTIONS 02, 03 & 06			
-10	Gauge Wheels 2 Front and 1 Rear 13" x 5" Semi-Solid Gauge Wheels <i>This option allows the cutting deck to follow the contour of the ground</i>	230#	230#	\$ 941
	YOU MAY CHOOSE A COLOR OPTION (NO OPTION=BUCKSKIN)			
-82	Orange			
ACCESSORY				
316-063A	Debris Guard - for use with tractors without a cab			\$ 366

NOTE: Use of Quick Hitch on some tractors may require longer driveline.
 Gearbox HP rating is based on in field use and performance



DB(M)2660 - Ditch Bank Cutter

RETURN TO INDEX

Rotary Cutters

75 HP Minimum Tractor Weight: 7000 lbs.



- Cutting Capacity: 2" Diameter
- Stump Jumper: 3/16" x 21" Round, Dish Shaped
- Blade Bar: 1" x 4"
- Blades: 1/2" x 4"
- Blade Bolt: Keyed w/Hardened Flat Washer & Lock Nut
- Blade Tip Speed: 15,000 fpm
- Blade Rotation: Clockwise
- Horizontal Cutting Reach: 32" Maximum
- One Deck Cylinder with Hoses & Fittings
- Hydraulic Outlets Needed: Two Sets
- Transport Width: 10'1" Minimum
- Driveline: Cat. 4
- High Efficiency PTO Pump
- Hydraulic Oil Capacity: 35 Gallons (Not included)
- Hydraulic Oil Flow: 15 gpm
- Overload Protection: Relief Valve
- Case Drained Deck Motor
- Oil Pressure Gauge
- Return Line Filter
- Tank Shut-Off Valve
- Breather Cap/Dipstick
- Parking Stand
- Auxiliary Weight Rack
- Flow Control Valve

Gearbox: 540 or 1000 rpm
 Cutting Width: 58"
 Hitch: Cat. 2 Std, Cat. 2 & 3 QH
 Clevis Type Lower Hitch
 Deck Thickness: 10 Gauge
 Minimum Cutting Height: Depends on 3-Pt Height

YOU MUST ADD 11% SURCHARGE TO PRICES AS OF 8/4/21

temporarily suspended

temporarily suspended

MODEL NUMBER	DESCRIPTION	APPROX. MACHINE WEIGHT	SHIPPING WEIGHT	LIST PRICE
DB2660	26 SERIES - 60" Width - 540 RPM DITCH BANK CUTTER	1788#	1788#	\$ 11,700
DBM2660	26 SERIES - 60" Width - 1000 RPM DITCH BANK CUTTER	1788#	1788#	\$ 11,781
ADD OPTION NO.	YOU MUST CHOOSE FRONT GUARDING			
-01	Front Rubber Guard	6#	6#	\$ 110
-02	Front Single Chain Guard	24#	24#	\$ 171
-03	Front Double Chain Guard (316-319A)	32#	32#	\$ 193
	YOU MAY CHOOSE WHEELS			
-10	Rear Tailwheel	107#	107#	\$ 428
-11	Side Gauge Wheel	75#	75#	\$ 361
	YOU MUST CHOOSE A DRIVELINE			
-31	Cutter Mounted 540 RPM Cat 4 Driveline	120#	120#	\$ 2,116
-32	Tractor Mounted 540 RPM with PTO Pump			\$ 2,116
-31	Cutter Mounted 1000 RPM Cat 4 Driveline	120#	120#	\$ 2,116
-32	Tractor Mounted 1000 RPM with PTO Pump			\$ 2,116
	YOU MUST CHOOSE REAR GUARDING			
-41	Rear Chain Guard (316-335A)	30#	30#	\$ 174
-42	Rear Rubber Guard (316-336A)	22#	22#	\$ 161
-43	Rear Double Chain Guard (316-318A)	42#	42#	\$ 218
	YOU MUST ADD ONE WEIGHT BRACKET			
-70	For John Deere Weights (316-230A)	63#	63#	\$ 200
-71	For Case Weights (316-231A)	72#	72#	\$ 200
-72	For IH Weights (316-232A)	53#	53#	\$ 200
-73	For Case IH Weights (316-233A)	64#	64#	\$ 200
-74	For New Holland Weights (316-234A)	80#	80#	\$ 200
-75	For Kubota Weights (316-276A)	74#	74#	\$ 200
COLOR	(No Option=Buckskin)			
-82	Orange			

Gearbox HP rating is based on in field use and performance

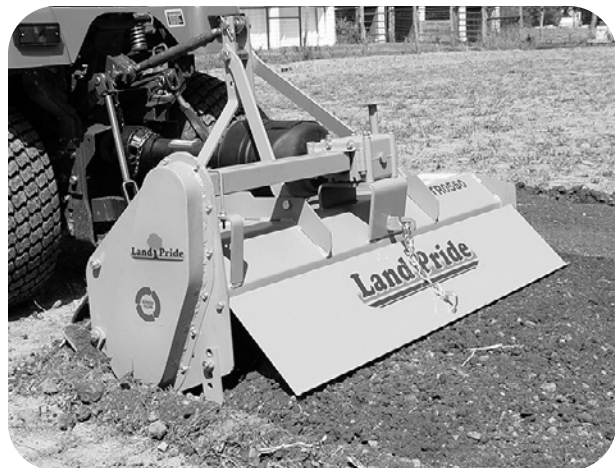
WARNING!

Rotary Cutters used in non-agricultural areas must be equipped with front & rear guards. The possibility of thrown objects can be hazardous to persons or property.

RTR05 Series Reverse-Till

RETURN TO INDEX

Up to 26 HP Subcompact Tractors



- Made in USA
- Hitch: Cat. 1
- Flat Bar A-Frame
- Gearbox: 540 rpm
 - Bevel Gears
 - Aluminum Alloy Housing
 - Roller Bearings
 - Drain Plug
 - 1³/₈" - 6 Spline Shaft
- Rotor Diameter: 13"
- Rotor Speed: 230 RPM
- Box Frame
- Off-Center Shear-Pin or Slip-Clutch Driveline
- Alloy Steel Heat Treated Blades
- Four "C" Tines per Flange*
- Adjustable Skid Shoes
- Adjustable Storage Stand
- Adjustable Rear Deflector
- #80 High Tensile Roller Chain - Fully Enclosed in Oil Bath with Drain Plug
- Machined Cast Iron Bearing Mounts
- Fits Land Pride Quick-Hitch

Rotary Tillers

*4 Tine tillers require less horsepower

YOU MUST ADD 11% SURCHARGE TO PRICES AS OF 8/4/21

MODEL NUMBER	DESCRIPTION	APPROX. MACHINE WEIGHT	SHIPPING WEIGHT	LIST PRICE
RTR0542-31	05 SERIES ROTARY TILLER - 42" Width - Shearpin Driveline	318#	378#	\$ 2,681
RTR0550-31	05 SERIES ROTARY TILLER - 50" Width - Shearpin Driveline	328#	388#	\$ 2,826
RTR0542-32	05 SERIES ROTARY TILLER - 42" Width - Slip-Clutch Driveline	322#	382#	\$ 2,899
RTR0550-32	05 SERIES ROTARY TILLER - 50" Width - Slip-Clutch Driveline	332#	392#	\$ 3,044

ADDITIONAL SAVINGS
____ TILLER 5-PAK STOCKING PROGRAM ____

When any combination of Five of 05, 12, 15 or 20 Series Tillers are ordered at one time - DEDUCT \$106 on each Tiller
Add option No. -99 to Model Number & Deduct \$ (106)

ADD OPTION NO. COLOR OPTIONS (No Option=Buckskin)
-82 Orange - 5 Pak and Single units available

RGR12 Series Gear Drive Reverse -Till RGA12 Series Gear Drive Forward-Till

42 & 50: 18-60 HP • 58 & 66: 23-60 HP • 74: 30-60 HP • 82: 35-60



Made in USA
Forward or Reverse Rotation Rotor
Hitch: Cat. 1
Plate Steel A-Frame

RGR: Front Rubber Deflector to Keep Material In Gearbox: 540 rpm, Cast Iron Housing, Bevel Gears
Tapered Roller and Ball Bearings
Drain Plug & Breather Plug
1-3/8" - 6 Spline Shaft
Rotor Diameter: 17"
Rotor Speed: 211 RPM
Box Frame
Slip-Clutch Driveline
Alloy Steel Heat Treated Blades
Six "C" Blades per Flange
Drive End:
Spur Gear Drive in Oil Bath
Stamped Drive Cover
7" Tilling Depth
Adjustable Skid Shoes
Adjustable Storage Stand
Adjustable Rear Deflector
Machined Cast Iron Bearing Mounts
Fits Land Pride Quick-Hitch

Rotary Tillers

YOU MUST ADD 11% SURCHARGE TO PRICES AS OF 8/4/21

temporarily suspended

MODEL NUMBER	DESCRIPTION	APPROX. MACHINE WEIGHT	SHIPPING WEIGHT	LIST PRICE
RGR1242-32	12 SERIES REVERSE-TILL GEAR DRIVE ROTARY TILLER - 42" Width - Slip-Clutch Driveline	462#	492#	\$ 2,902
RGR1250-32	12 SERIES REVERSE-TILL GEAR DRIVE ROTARY TILLER - 50" Width - Slip-Clutch Driveline	497#	527#	\$ 3,046
RGR1258-32	12 SERIES REVERSE-TILL GEAR DRIVE ROTARY TILLER - 58" Width - Slip-Clutch Driveline	530#	560#	\$ 3,191
RGR1266-32	12 SERIES REVERSE-TILL GEAR DRIVE ROTARY TILLER - 66" Width - Slip-Clutch Driveline	567#	597#	\$ 3,401
RGR1274-32	12 SERIES REVERSE-TILL GEAR DRIVE ROTARY TILLER - 74" Width - Slip-Clutch Driveline	601#	631#	\$ 3,614
RGR1282-32	12 SERIES REVERSE-TILL GEAR DRIVE ROTARY TILLER - 82" Width - Slip-Clutch Driveline	653#	683#	\$ 3,827
RGA1242-32	12 SERIES GEAR DRIVE ROTARY TILLER - 42" Width - Slip-Clutch Driveline	458#	488#	\$ 2,579
RGA1250-32	12 SERIES GEAR DRIVE ROTARY TILLER - 50" Width - Slip-Clutch Driveline	493#	523#	\$ 2,724
RGA1258-32	12 SERIES GEAR DRIVE ROTARY TILLER - 58" Width - Slip-Clutch Driveline	526#	556#	\$ 2,953
RGA1266-32	12 SERIES GEAR DRIVE ROTARY TILLER - 66" Width - Slip-Clutch Driveline	562#	592#	\$ 3,329
RGA1274-32	12 SERIES GEAR DRIVE ROTARY TILLER - 74" Width - Slip-Clutch Driveline	596#	626#	\$ 3,535
RGA1282-32	12 SERIES GEAR DRIVE ROTARY TILLER - 82" Width - Slip-Clutch Driveline	647#	677#	\$ 3,749

For BX Slip-Clutch Driveline Delete -32 from Model No. and ADD -33 \$ N/C
(Not recommended for use with Quick-Hitch and not available on 82" Model)

ADDITIONAL SAVINGS
TILLER 5-PAK STOCKING PROGRAM

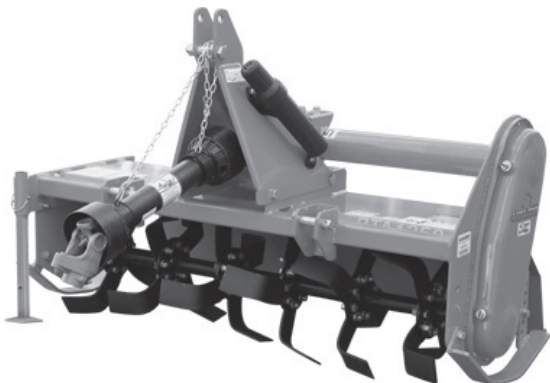
When any combination of Five of 05, 12, 15 or 20 Series Tillers are ordered at one time - DEDUCT \$106 on each Tiller
Add option No. -99 to Model Number & Deduct \$ (106)

ADD

OPTION NO.	COLOR OPTIONS (No Option=Buckskin)
-82	Orange - 5 Pak and Single units available

RTR12 Series Reverse -Till RTA12 Series Forward-Till

42 & 50: 15-40 HP • 58 & 66: 20-50 HP • 74: 25-60 HP • 82: 30-60



Made in USA
Forward or Reverse Rotation Rotor
Hitch: Cat. 1
Plate Steel A-Frame
Front Rubber Deflector to Keep Material In

- Adjustable Lower Hitch Clevises with Plated Pins
 - Gearbox: 540 rpm
 - Bevel Gears
 - Cast Iron Housing
 - 10 Year Chain and Sprocket
 - Tapered Roller Bearings
 - Drain Plug
 - 1 3/8" - 6 Spline Shaft
 - Rotor Diameter: 15"
 - Rotor Speed: 211 RPM
 - Box Frame
 - Slip-Clutch Driveline
 - Alloy Steel Heat Treated Blades
 - Four "C" Blades per Flange*
 - Offset Capabilities
 - Adjustable Skid Shoes
 - Adjustable Storage Stand
 - Adjustable Rear Deflector
 - #80 High Tensile Roller Chain - Fully Enclosed in Oil Bath with Drain Plug
 - Machined Cast Iron Bearing Mounts
 - Fits Land Pride Quick-Hitch (Cannot Offset with Quick-Hitch)
- *4 Tine tillers require less horsepower

Rotary Tillers

YOU MUST ADD 11% SURCHARGE TO PRICES AS OF 8/4/21

MODEL NUMBER	DESCRIPTION	APPROX. MACHINE WEIGHT	SHIPPING WEIGHT	LIST PRICE
RTR1242-32	12 SERIES REVERSE-TILL ROTARY TILLER - 42" Width - Slip-Clutch Driveline	446#	515#	\$ 2,756
RTR1250-32	12 SERIES REVERSE-TILL ROTARY TILLER - 50" Width - Slip-Clutch Driveline	471#	540#	\$ 2,902
RTR1258-32	12 SERIES REVERSE-TILL ROTARY TILLER - 58" Width - Slip-Clutch Driveline	496#	565#	\$ 3,044
RTR1258-31	- 58" Width - K-Hitch Interface	504#	573#	\$ 3,680
RTR1266-32	12 SERIES REVERSE-TILL ROTARY TILLER - 66" Width - Slip-Clutch Driveline	521#	590#	\$ 3,257
RTR1266-31	- 66" Width - K-Hitch Interface	529#	598#	\$ 3,862
RTR1274-32	12 SERIES REVERSE-TILL ROTARY TILLER - 74" Width - Slip-Clutch Driveline	546#	615#	\$ 3,470
RTR1282-32	12 SERIES REVERSE-TILL ROTARY TILLER - 82" Width - Slip-Clutch Driveline	556#	625#	\$ 3,684
RTA1242-32	12 SERIES ROTARY TILLER - 42" Width - Slip-Clutch Driveline	468#	478#	\$ 2,434
RTA1250-32	12 SERIES ROTARY TILLER - 50" Width - Slip-Clutch Driveline	432#	502#	\$ 2,579
RTA1258-32	12 SERIES ROTARY TILLER - 58" Width - Slip-Clutch Driveline	456#	526#	\$ 2,808
RTA1258-31	- 58" Width - K-Hitch Interface	464#	534#	\$ 3,414
RTA1266-32	12 SERIES ROTARY TILLER - 66" Width - Slip-Clutch Driveline	480#	550#	\$ 3,184
RTA1266-31	- 66" Width - K-Hitch Interface	488#	558#	\$ 3,790
RTA1274-32	12 SERIES ROTARY TILLER - 74" Width - Slip-Clutch Driveline	504#	574#	\$ 3,390
RTA1282-32	12 SERIES ROTARY TILLER - 82" Width - Slip-Clutch Driveline	528#	598#	\$ 3,605

**ADDITIONAL SAVINGS
TILLER 5-PAK STOCKING PROGRAM**

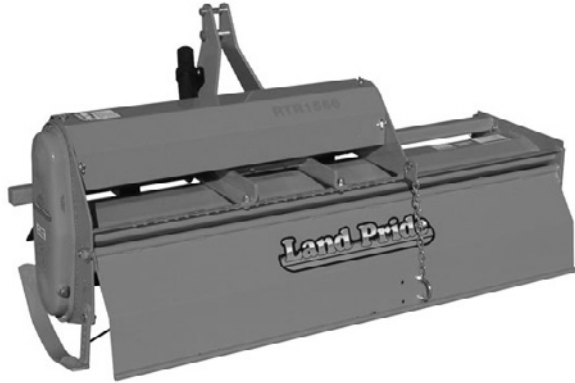
When any combination of Five of 05, 12, 15 or 20 Series Tillers are ordered at one time - DEDUCT \$106 on each Tiller
Add option No. -99 to Model Number & Deduct \$ (106)

ADD OPTION NO. COLOR OPTIONS (No Option=Buckskin)
-82 Orange - 5 Pak and Single units available

RTR15 Series Reverse-Till

[RETURN TO INDEX](#)

25-50 HP



Made in USA
 Reverse Rotation Rotor
 Hitch: Cat. 1
 Plate Steel A-Frame
 Front Rubber Deflector to Keep Material In

- Adjustable Lower Hitch Clevises with Plated Pins
- Gearbox: 540 rpm
 - Bevel Gears
 - Cast Iron Housing
 - Drain Plug
- Rotor Diameter: 15"
- Rotor Speed: 211 RPM
- Box Frame
- Off-Center Shear-Pin or Slip-Clutch Driveline
- Alloy Steel Heat Treated Blades
- Four "C" Blades per Flange*
- Side Shift
- Adjustable Skid Shoes
- Adjustable Storage Stand
- Adjustable Rear Deflector
- #80 High Tensile Roller Chain - Fully Enclosed in Oil Bath with Drain Plug
- Machined Cast Iron Bearing Mounts
- Fits Land Pride Quick-Hitch

*4 Tine tillers require less horsepower

Rotary Tillers

YOU MUST ADD 11% SURCHARGE TO PRICES AS OF 8/4/21

SIDESHIFT DIMENSIONS

Position Behind Tractor (first figure left of center, second figure right of center)

MODEL	MAX. RIGHT	MAX. LEFT
RTR1574	12-62	49-31

MODEL NUMBER	DESCRIPTION	APPROX. MACHINE WEIGHT	SHIPPING WEIGHT	LIST PRICE
RTR1574-31	15 SERIES REVERSE-TILL ROTARY TILLER - 74" Width - Shearpin Driveline	513#	584#	\$ 4,038
RTR1574-32	15 SERIES REVERSE-TILL ROTARY TILLER - 74" Width - Slip-Clutch Driveline	527#	598#	\$ 4,255

Orange available. Buckskin temporarily suspended

ADDITIONAL SAVINGS
____ TILLER 5-PAK STOCKING PROGRAM ____

When any combination of Five of 05, 12, 15 or 20 Series Tillers are ordered at one time - DEDUCT \$106 on each Tiller
 Add option No. -99 to Model Number & Deduct \$ (106)

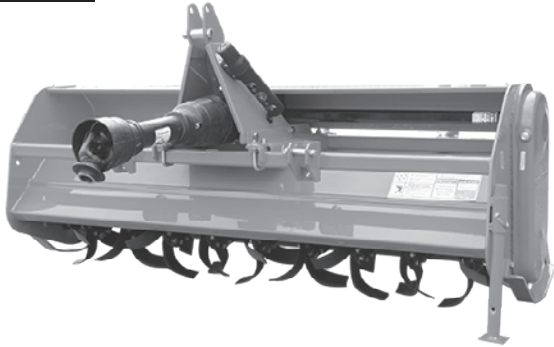
ADD
OPTION NO. COLOR OPTIONS (No Option=Buckskin)
 -82 Orange - 5 Pak and Single units available

RTR20 Series Reverse-Till RTA20 Series Forward-Till

RETURN TO INDEX

Rotary Tillers

23-75 HP



- Gearbox: 540 rpm
- Bevel Gears
- Cast Iron Housing
- Drain Plug
- Rotor Diameter: 17"
- Box Frame
- Off-Center Shear-Pin or Slip-Clutch Driveline
- Alloy Steel Heat Treated Blades
- 18" Sideshift
- Offset: 72: 18"
- Adjustable Skid Shoes
- Storage Stand
- Adjustable Rear Deflector
- #80 High Tensile Roller Chain - Fully Enclosed in Oil Bath with Drain Plug
- Machined Cast Iron Bearing Mounts

Made in USA
Hitch: Cat. 1
Formed Plate A-Frame
Adjustable Lower Hitch Clevises with Plated Pins

**Fits Land Pride Quick-Hitch (Limited Sideshift w/QH)
** May require longer driveline. Part No. 826-668C Available through our Parts Dept.

YOU MUST ADD 11% SURCHARGE TO PRICES AS OF 8/4/21

MODEL NUMBER	DESCRIPTION	APPROX. MACHINE WEIGHT	SHIPPING WEIGHT	LIST PRICE
FORWARD ROTATION				
RTA2072-0631	20 SERIES ROTARY TILLER - 72" Width 6 Blades per Flange - Shearpin Driveline	735#	833#	\$ 5,251
REVERSE ROTATION				
RTR2072-0631	20 SERIES REVERSE-TILL ROTARY TILLER - 72" Width 6 Blades per Flange - Shearpin Driveline	795#	893#	\$ 5,807
	For slip-clutch driveline on RTA20 or RTR20 DELETE -31 from Model Number and ADD -32			\$ 267

ADDITIONAL SAVINGS
____ TILLER 5-PAK STOCKING PROGRAM ____

When any combination of Five of 05, 12, 15 or 20 Series Tillers are ordered at one time - DEDUCT \$106 on each Tiller
Add option No. -99 to Model Number & Deduct \$ (106)

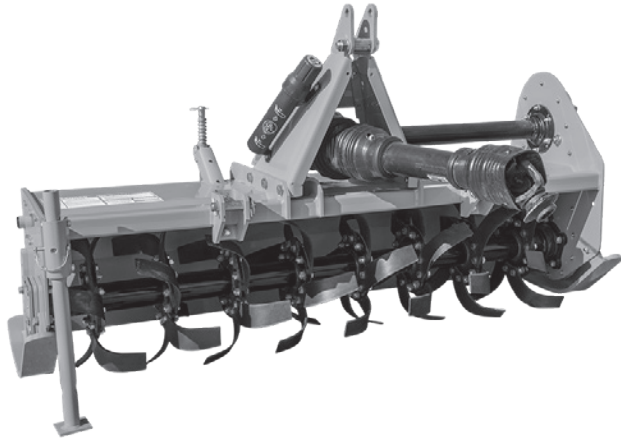
ADD OPTION NO. **COLOR OPTIONS (No Option=Buckskin)**
-82 Orange - 5 Pak and Single units available

RTA25 Series Forward-Till

RETURN TO INDEX

Rotary Tillers

25-75 HP



Made in USA
 Hitch: Cat. 1
 Adjustable Hitch Clevises with Plated Pins
 Formed Plate A-Frame
 Gearbox: 540 rpm
 Bevel Gears
 Cast Iron Housing
 Drain Plug
 Rotor Diameter: 17"
 Rotor Speed: 220 rpm
 Slip-Clutch Driveline
 High Carbon Heat Treated "C" Shaped Blades*
 Offset Capabilities
 Adjustable Skid Shoes
 Storage Stand
 Rear Deflector: Spring Loaded, Adjustable,
 #100 High Tensile Roller Chain
 Fully Enclosed in Oil Bath with Drain Plug,
 Fill Plug & Skid Protection

* 4 Tine tillers require less horsepower
 **Fits Land Pride Quick-Hitch
 (Cannot Offset with Quick-Hitch)
 ** May require longer driveline. Part No. 826-147C
 Available through our Parts Dept.

YOU MUST ADD 11% SURCHARGE TO PRICES AS OF 8/4/21

MODEL NUMBER	DESCRIPTION	APPROX. MACHINE WEIGHT	SHIPPING WEIGHT	LIST PRICE
RTA2570-06	25 SERIES ROTARY TILLERS - 70" Width 6 Blades per Flange, Slip-Clutch Driveline	663#	725#	\$ 5,949
311-162A	Rear Deflector Down Spring Pressure Kit (Available Through Parts Dept. Only)			\$ 33
ADD OPTION NO.	COLOR OPTION (No Option=Buckskin)			
-82	Orange			

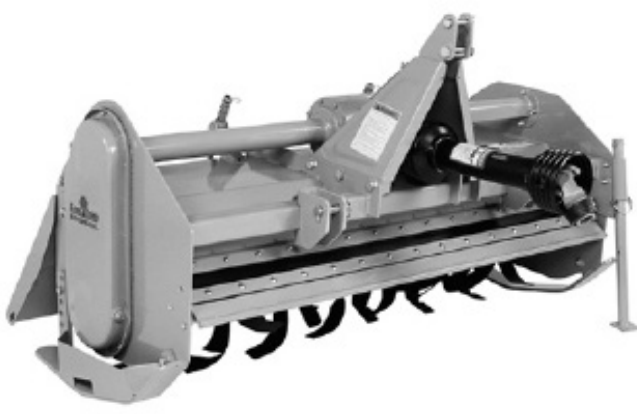
RTR25 Series Reverse-Till

RETURN TO INDEX

25-75 HP



Rotary Tillers



- Made in USA
- Hitch: Cat. 1
- Adjustable Lower Hitch Clevises
- Formed Plate A-Frame
- Offset Capabilities
- Gearbox: 540 rpm
 - Bevel Gears
 - Cast Iron Housing
 - Drain Plug
- Rotor Diameter: 17"
- Rotor Speed: 220 RPM
- Box Frame
- Extra Stone Clearance
- Slip-Clutch Driveline
- High Carbon Heat Treated Blades
- Six "C" Blades per Flange
- Adjustable Skid Shoes
- Storage Stand
- Front Protector Plate with Reinforced Rubber Insert
- Rear Deflector: Spring Loaded
 - Extended Side Plates
- Extended Torque Tube
- #100 Roller Chain -
 - Fully Enclosed in Oil Bath with Drain Plug,
 - Fill Plug & Skid Protection
- Coil Spring 'Sifting' Tines
- **Fits Land Pride Quick-Hitch
(Cannot Offset with Quick-Hitch)
- ** May require longer driveline. Part No. 826-147C
Available through our Parts Dept.

YOU MUST ADD 11% SURCHARGE TO PRICES AS OF 8/4/21

MODEL NUMBER	DESCRIPTION	APPROX. MACHINE WEIGHT	SHIPPING WEIGHT	LIST PRICE
RTR2570	25 SERIES REVERSE-TILL ROTARY TILLER 70" Width - 6 Blades, Slip Clutch	868#	947#	\$ 7,096
311-162A	Rear Deflector Down Spring Pressure Kit (Available through Parts Dept. Only)			\$ 33
ADD OPTION NO.	COLOR OPTION (No Option=Buckskin)			
-82	Orange			

RTA35 Series Forward-Till

RETURN TO INDEX

35-95 HP



Made in USA
 Hitch: Cat. 1 & 2
 Adjustable Lower Hitch Clevises
 Formed Plate A-Frame
 Gearbox: 540 rpm
 Bevel Gears
 Cast Iron Housing
 Drain Plug
 Rotor Diameter: 19"
 Rotor Speed: 204 RPM
 Box Frame
 Heavy Duty Slip-Clutch Driveline
 High Carbon Heat Treated Blades
 Six "C" Blades per Flange
 Offset Capabilities
 Adjustable Skid Shoes
 Storage Stand
 Rear Deflector: Spring Loaded, Adjustable,
 #100 High Tensile Roller Chain - Fully Enclosed in
 Oil Bath with Drain Plug & Fill Plug
 **Fits Land Pride Quick-Hitch
 (Cannot Offset with Quick-Hitch)
 ** May require longer driveline. Part No. 826-080C
 Available through our Parts Dept.

Rotary Tillers

YOU MUST ADD 11% SURCHARGE TO PRICES AS OF 8/4/21

MODEL NUMBER	DESCRIPTION	APPROX. MACHINE WEIGHT	SHIPPING WEIGHT	LIST PRICE
RTA3576	35 SERIES ROTARY TILLER - 76" Width	856#	920#	\$ 7,176
311-162A	Rear Deflector Down Spring Pressure Kit (Available Through Parts Dept. Only)			\$ 33
ADD OPTION NO.	COLOR OPTION (No Option=Buckskin)			
-82	Orange			

3P500/3P600 Min-Till Compact Drills

RETURN TO INDEX

3P500 - 5' Width - 35 HP Min.
3P600 - 6' Width - 40 HP Min.



Category I & II Lower Hitch plates
Center Mounted Single Drive Wheels
Acrometer
2 bu/ft. Box Capacity
1 3/4" Fluted Feed Cups w/ Powdered Metal Flutes
4 Speed Gearbox
"00" Series Openers on 6" & 7 1/2" Spacing
Direct Link Press Wheel for Depth Control
Heavy Duty Coil Springs
T-Handle Opener Depth Adjustment
Seed Tubes & Flaps
Walkboard w/Steps

Available only in ORANGE

YOU MUST ADD 11% SURCHARGE TO PRICES AS OF 8/4/21

Compact Drills

MODEL NUMBER	DESCRIPTION	APPROX. MACHINE WEIGHT	APPROX. SHIPPING WEIGHT	LIST PRICE
3P50082-0906-03	3P500 SERIES MIN-TILL COMPACT DRILL - 5' WIDTH 9 Rows, 6" Row Spacing 2x13 Single Press Wheels	1200#	1200#	\$ 10,864
3P50082-0775-03	3P500 SERIES MIN-TILL COMPACT DRILL - 5' WIDTH 7 Rows, 7.5" Row Spacing 2x13 Single Press Wheels	1200#	1200#	\$ 10,030
3P500V82-0906-03	3P500 SERIES LOW PROFILE VINEYARD MODEL MIN-TILL COMPACT DRILL - 5' WIDTH 9 Rows, 6" Row Spacing 2x13 Single Press Wheels	1200#	1200#	\$ 10,864
3P500V82-0775-03	3P500 SERIES LOW PROFILE VINEYARD MODEL MIN-TILL COMPACT DRILL - 5' WIDTH 7 Rows, 7.5" Row Spacing 2x13 Single Press Wheels	1200#	1200#	\$ 10,030
3P60082-1106-03	3P600 SERIES MIN-TILL COMPACT DRILL - 6' WIDTH 11 Rows, 6" Row Spacing 2x13 Single Press Wheels	1400#	1400#	\$ 12,534
3P60082-0975-03	3P600 SERIES MIN-TILL COMPACT DRILL - 6' WIDTH 9 Rows, 7.5" Row Spacing 2x13 Single Press Wheels	1400#	1400#	\$ 11,700
ADD OPTION NO YOU MUST CHOOSE THE ONE OPTION BELOW (3P500V Only)				
-39	Decal Brackets			\$ 31
-40	Walkboard (3P500V Only)			\$ 468
ADD OPTION NO YOU MAY CHOOSE A SMALL SEEDS ATTACHMENT				
-91	3P500 Min-Till Small Seeds - 6" Spacing			\$ 1,671
-91	3P500 Min-Till Small Seeds - 7.5" Row Spacing			\$ 1,587
-91	3P600 Min-Till Small Seeds - 6" Row Spacing			\$ 1,762
-91	3P600 Min-Till Small Seeds - 7.5" Row Spacing			\$ 1,679
PART NO. ACCESSORIES				
118-790A	3P500 6" Seed Box Agitator, Without Small Seeds - dealer installed			\$ 558
118-791A	3P500 6" Seed Box Agitator, With Small Seeds - dealer installed			\$ 363
118-792A	3P500 7.5" Seed Box Agitator, Without Small Seeds- dealer installed			\$ 529
118-793A	3P500 7.5" Seed Box Agitator, With Small Seeds- dealer installed			\$ 397
118-788A	3P600 6" Seed Box Agitator, Without Small Seeds - dealer installed			\$ 480
118-789A	3P600 6" Seed Box Agitator, With Small Seeds - dealer installed			\$ 372
118-748A	3P600 7.5" Seed Box Agitator, Without Small Seeds - dealer installed			\$ 573
118-749A	3P600 7.5" Seed Box Agitator, With Small Seeds - dealer installed			\$ 364
817-087C	Seed Cup Plugs - dealer installed			\$ \$6/Row
150-243A	Light Kit (3P500, 3P500V, 3P600) - dealer installed			\$ 426

These products are sold under different programs. See Terms & Policies for details.

3P606NT 3-Point No-Till

RETURN TO INDEX

Compact Drills

3P606NT - 6'

60 HP Min.



- Category II Lower Hitch plates
- Acrometer
- Center Mounted Single Drive Wheel
- 2 bu/ft. Box Capacity
- 1 3/4" Fluted Feed Cups w/ Powdered metal flutes
- Calibration Crank
- Grease Bank
- 4 Speed Gearbox
- "06" Series II Native Grass Openers on 7 1/2" spacing
 - Native Grass Box sold separately
- Presswheel Options
- 5/16" Fluted Coulter Blades or 5/8" Turbo Coulter Blade
- Direct Link Press Wheel for Depth Control
- Heavy Duty Coil Springs
- T-Handle Opener Depth Adjustment
- Seed tubes & flaps
- Walkboard w/Steps
- Spring-Steel Coulter Mounting Bars
- 1 lb. container of graphite (NG models only)
- Available only in ORANGE

YOU MUST ADD 11% SURCHARGE TO PRICES AS OF 8/4/21

MODEL NUMBER	DESCRIPTION	APPROX. MACHINE WEIGHT	APPROX. SHIPPING WEIGHT	LIST PRICE
3P606NT82-0975-03	3P606NT SERIES 3-PT NO-TILL COMPACT DRILL - 6' WIDTH 9 Rows, 7.5" Row Spacing 2x13 Single Press Wheels 5/8" Turbo Coulter	2280#	2280#	\$ 16,300
3P606NT82-0975-04	3P606NT SERIES 3-PT NO-TILL COMPACT DRILL - 6' WIDTH 9 Rows, 7.5" Row Spacing 2x13 Single Press Wheels 5/16" Fluted Coulter	2280#	2280#	\$ 16,300
3P606NT82-0975-07	3P606NT SERIES 3-PT NO-TILL COMPACT DRILL - 6' WIDTH 9 Rows, 7.5" Row Spacing 3x13 Center Rib Press Wheels 5/8" Turbo Coulter	2280#	2280#	\$ 16,434
3P606NT82-0975-08	3P606NT SERIES 3-PT NO-TILL COMPACT DRILL - 6' WIDTH 9 Rows, 7.5" Row Spacing 3x13 Center Rib Press Wheels 5/16" Fluted Coulter	2280#	2280#	\$ 16,434
ADD OPTION NO	BOX OPTIONS - You Must Choose One			
-40	Seed Only			\$ N/C
-42	Native Grass Attachment - 7.5" Row Spacing (P/N 202-416A-82)			\$ 6,017
-43	Native Grass Attachment - 7.5" Row Spacing (P/N 202-411A-82) For use w/Option 95			\$ 6,017
ADD OPTION NO	OPTIONAL EQUIPMENT			
-91	Small Seeds - 7.5" Spacing (P/N 133-131A-82)			\$ 1,679
-95	Small Seeds - 7.5" Spacing (P/N 133-132A-82) Used in conjunction with Native Grass			\$ 1,719
-66	Weight bracket w/hardware (P/N 151-058A-82)			\$ 487
PART NO	ACCESSORIES			
118-750A	3P606NT Seed Box Agitator*, with Seed or Small Seeds - Dealer Installed			\$ 529
118-751A	3P606NT Seed Box Agitator*, with Native Grass - Dealer Installed			\$ 392
817-087C	Seed Cup Plugs - Dealer installed			\$ 6/Row

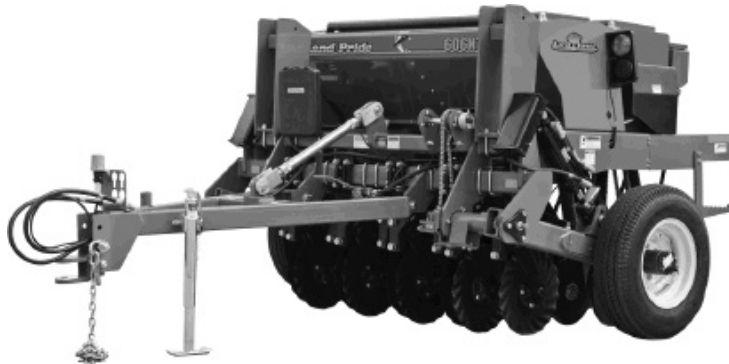
* Agitator installed in main box does not replace Native Grass Box, the Native Grass option is required for planting Native Grass.

These products are sold under different programs. See Terms & Policies for details.

606NT Pull-Type No-Till

RETURN TO INDEX

40 HP Min.



- Clevis Style Drawbar Hitch or Pintle Hitch
- Acremeter
- End Wheel Drive Wheel
- 2 bu/ft. Box Capacity
- 1 3/4" Fluted Feed Cups w/ Powdered Metal Flutes
- Calibration Crank
- Grease Bank
- 4 Speed Gearbox
- "06" Series II Native Grass Openers on 7 1/2" Spacing
– Native Grass Box Sold Separately
- Presswheel Options
- 5/16" Fluted Coulter Blades or 5/8" Turbo Coulter Blade
- Direct Link Press Wheel for Depth Control
- Heavy Duty Coil Springs
- T-Handle Opener Depth Adjustment
- Seed Tubes & Flaps
- Walkboard w/Steps
- Spring-Steel Coulter Mounting Bars
- Transport Light Kit
- 1 lb. Container of Graphite (NG models only)
- Available only in ORANGE

Compact Drills

YOU MUST ADD 11% SURCHARGE TO PRICES AS OF 8/4/21

MODEL NUMBER	DESCRIPTION	APPROX. MACHINE WEIGHT	APPROX. SHIPPING WEIGHT	LIST PRICE
606NT82-0975-03	606NT SERIES NO-TILL COMPACT DRILL - 6' WIDTH 9 Rows, 7.5" Row Spacing 2x13 Single Press Wheels; 5/8" Turbo Coulter	2700#	2700#	\$ 20,429
606NT82-0975-04	606NT SERIES NO-TILL COMPACT DRILL - 6' WIDTH 9 Rows, 7.5" Row Spacing 2x13 Single Press Wheels; 5/16" Fluted Coulter	2700#	2700#	\$ 20,429
606NT82-0975-07	606NT SERIES NO-TILL COMPACT DRILL - 6' WIDTH 9 Rows, 7.5" Row Spacing 3x13 Center Rib Press Wheels; 5/8" Turbo Coulter	2700#	2700#	\$ 20,566
606NT82-0975-08	606NT SERIES NO-TILL COMPACT DRILL - 6' WIDTH 9 Rows, 7.5" Row Spacing 3x13 Center Rib Press Wheels; 5/16" Fluted Coulter	2700#	2700#	\$ 20,566
ADD OPTION NO:	BOX OPTIONS - You Must Choose One			
-40	Seeds Only			\$ N/C
-42	Seeds w/Native Grass Attachment - 7.5" Spacing (P/N 202-408A-82)			\$ 6,258
-43	Seeds w/Native Grass Attachment 7.5" Spacing (P/N 202-411A-82) <i>(for use w/option 95)</i>			\$ 6,258
ADD OPTION NO:	YOU MUST CHOOSE A HITCH			
-81	Pintle Hitch			\$ N/C
-83	Clevis Hitch			\$ N/C
ADD OPTION NO:	OPTIONAL EQUIPMENT			
-91	606NT Small Seeds - 7.5" Spacing (P/N 133-124A-82)			\$ 1,746
-95	606NT Small Seeds - 7.5" Spacing (P/N 133-125A-82) <i>(Used in conjunction w/native grass)</i>			\$ 1,788
-66	Weight Bracket w/hardware (P/N 151-058A-82)			\$ 487
PART NO:	ACCESSORIES			
118-750A	Agitator - w/drive, not equipped with Native Grass			\$ 529
118-751A	Agitator - wo/drive, equipped with Native Grass			\$ 392
817-087C	Seed Cup Plugs - Dealer Installed			\$ 6/Row

* Agitator installed in main box does not replace native grass.
For native grass seeding, the native grass option is required.

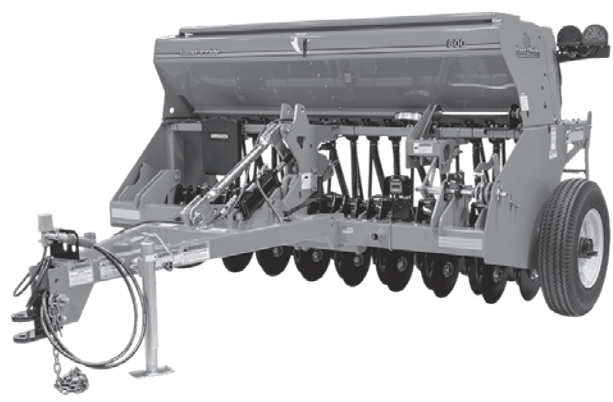
These products are sold under different programs. See Terms & Policies for details.

800 End Wheel 8' Min-Till Compact Drills

[RETURN TO INDEX](#)

45 HP Min.

Compact Drills



- 4 Speed Gearbox
- Acrometer
- Walkboard & Ladder
- Safety Lighting Package
 - w/Brake Signal Function module
- Seed Cup w/Powdered Metal Flutes
- Lock-out Hub
- Weather Proof Lids
- V-bottom Dividers
- "00" Series Openers on 6" & 7 1/2" Spacing
- Seed Box Level Indicator
- Folding Tongue
- Jack Stand
- Cylinder Kit
- Calibration Crank
- 700-15 LT Tires
- Safety Chain
- T-handle Depth Control Adjustment
- 2 bu/ft Seedbox Available only in ORANGE

YOU MUST ADD 11% SURCHARGE TO PRICES AS OF 8/4/21

MODEL NUMBER	DESCRIPTION	APPROX. MACHINE WEIGHT	APPROX. SHIPPING WEIGHT	LIST PRICE
80082-1506-03	800 SERIES MIN-TILL COMPACT DRILL - 8' WIDTH 15 Rows, 6" Row Spacing 2x13 Single Press Wheels	2580#	2580#	\$ 19,344
80082-1275-03	800 SERIES MIN-TILL COMPACT DRILL - 8' WIDTH 12 Rows, 7.5" Row Spacing 2x13 Single Press Wheels	2580#	2580#	\$ 17,255
80082-1275-05	800 SERIES MIN-TILL COMPACT DRILL - 8' WIDTH 12 Rows, 7.5" Row Spacing 3x13 Center Rib Press Wheels	2580#	2580#	\$ 17,797

ADD OPTION NO	BOX OPTIONS - You Must Choose One		
-40	Seed Only (STD) - 6" & 7.5" Row Spacing	\$	N/C
-41	Seed & Small Seeds - 6" Row Spacing	\$	2,189
-41	Seed & Small Seeds - 7.5" Row Spacing	\$	2,038
-46	Seed & Fertilizer - 6" Row Spacing	\$	4,297
-46	Seed & Fertilizer - 7.5" Row Spacing	\$	4,114
-48	Seed, Small Seeds & Fertilizer - 6" Row Spacing	\$	6,490
-48	Seed, Small Seeds & Fertilizer - 7.5" Row Spacing	\$	6,155

ADD OPTION NO	ACCESSORIES		
175-239A	Agitator - 6" Row Spacing w/Fertilizer or Small Seeds	\$	388
175-240A	Agitator - 6" Row Spacing w/o Fertilizer or Small Seeds	\$	413
175-241A	Agitator - 7.5" Row Spacing w/Fertilizer or Small Seeds	\$	160
175-242A	Agitator - 7.5" Row Spacing w/o Fertilizer or Small Seeds	\$	374
817-087C	Seed Cup Plugs - Dealer installed	\$	6/row

* Agitator installed in main box does not replace native grass.
The 800 does not have native grass capability.

These products are sold under different programs. See Terms & Policies for details.

3P806NT/3P1006NT Semi-Mount No-Till

[RETURN TO INDEX](#)

3P806NT - 8' 80 HP Min.
3P1006NT - 10' 100 HP Min.



- 2 bu/ft Seed Box
- Rear Lift Assist Wheels - Dealer Installed
- Cat II hitch - 3P806NT, Cat II or III - 3P1006NT
- 4 Speed gearbox(3P806NT) 2 Gearboxes on 10' w/NG
- "06" Series II Native Grass Openers on 7 1/2" Spacing
- Native Grass Box Sold Separately
- Calibration Crank
- Coulter Grease Bank
- Folding Rear Ladder
- Safety Lighting
- Manual Storage Pack
- Acremeter
- Seed Level Indicator
- Gas Shock Assisted Lids
- Available only in ORANGE

Compact Drills

YOU MUST ADD 11% SURCHARGE TO PRICES AS OF 8/4/21

MODEL NUMBER	DESCRIPTION	APPROX. SHIPPING WEIGHT	LIST PRICE
3P806NT82-1375-03-20	3P806NT SERIES 2-PT NO-TILL COMPACT DRILL - 8' WIDTH 13 Rows, 7.5" Row Spacing 2x13 Single Press Wheels; 5/8" Turbo Coulter, Lift Assist	4350#	\$ 23,059
3P806NT82-1375-04-20	3P806NT SERIES 2-PT NO-TILL COMPACT DRILL - 8' WIDTH 13 Rows, 7.5" Row Spacing 2x13 Single Press Wheels; 5/16" Fluted Coulter, Lift Assist	4350#	\$ 23,059
3P806NT82-1375-05-20	3P806NT SERIES 2-PT NO-TILL COMPACT DRILL - 8' WIDTH 13 Rows, 7.5" Row Spacing 3x13 Center Rib Press Wheels; 5/8" Turbo Coulter, Lift Assist	4350#	\$ 23,194
3P806NT82-1375-06-20	3P806NT SERIES 2-PT NO-TILL COMPACT DRILL - 8' WIDTH 13 Rows, 7.5" Row Spacing 3x13 Center Rib Press Wheels; 5/16" Fluted Coulter, Lift Assist	4350#	\$ 23,194
3P1006NT82-1575-03	3P1006NT SERIES 2-PT NO-TILL COMPACT DRILL - 10' WIDTH 15 Rows, 7.5" Row Spacing 2x13 Single Press Wheels; 5/8" Turbo Coulter	5450#	\$ 27,407
3P1006NT82-1575-04	3P1006NT SERIES 2-PT NO-TILL COMPACT DRILL - 10' WIDTH 15 Rows, 7.5" Row Spacing 2x13 Single Press Wheels; 5/16" Fluted Coulter	5450#	\$ 27,407
3P1006NT82-1575-05	3P1006NT SERIES 2-PT NO-TILL COMPACT DRILL - 10' WIDTH 15 Rows, 7.5" Row Spacing 3x13 Center Rib Press Wheels; 5/8" Turbo Coulter	5450#	\$ 27,568
3P1006NT82-1575-06	3P1006NT SERIES 2-PT NO-TILL COMPACT DRILL - 10' WIDTH 15 Rows, 7.5" Row Spacing 3x13 Center Rib Press Wheels; 5/16" Fluted Coulter	5450#	\$ 27,568

BOX OPTIONS - You Must Choose One						
Option:	-40	-41	-43	-44	-46	-47
	Seed Only	Seed w/ Small Seeds	Seed and Series II Native Grass	Seed and Series II Native Grass w/ Small Seeds	Seed and Fertilizer	Seed and Fertilizer w/Small Seeds
3P806NT	STD	\$2,103	\$7,350	\$9,431	\$4,194	\$6,271
3P1006NT	STD	\$2,666	\$8,438	\$11,104	\$5,255	\$7,959

ADD OPTION NO	OPTIONAL EQUIPMENT	
-66	Weight bracket w/ hardware (P/N 151-135A 82)	\$ 531
PART NO	ACCESSORIES	
118-966A82	Compact Extension Hitch - <i>provides more clearance between tractor and drill</i>	\$ 1,162
817-087C	Seed Cup Plugs	\$ 6/row
118-967A	3P806NT Seed Box Agitator w/drive <i>to be used on seed only or seed/Native Grass - dealer installed</i>	\$ 538
118-968A	3P806NT Seed Box Agitator wo/drive <i>to be used on machines with fert or small seeds - dealer installed</i>	\$ 394
118-970A	3P1006NT Seed Box Agitator w/drive <i>to be used on seed only or seed/NG - dealer installed</i>	\$ 552
118-971A	3P1006NT Seed Box Agitator wo/drive <i>to be used with fertilizer or small seeds - dealer installed</i>	\$ 513

These products are sold under different programs. See Terms & Policies for details.

706NT/1006NT No-Till Drills

[RETURN TO INDEX](#)

706NT: 55 HP Min., 1006NT: 75 HP Min.



- Rephasing cylinders with stroke control valve
- Two 9" X 24" 8-ply tires stubble resistant tires
- Acremeter
- Steel walkboard with ladder
- Tongue jack
- 1¾" fluted feed cups
- V-bottom dividers (n/a on native grass & fertilizer drills)
- 4 Speed Gearbox
- 13½" diameter offset double disk opener blades
- Seed tubes & flaps in each opener
- Spring steel mounting bar for coulter
- Heavy duty coil spring for coulter
- T-handle adjust depth control system
- Grease bank
- Lock-out hub
- Built in weight bracket
- 1 lb. container graphite (NATIVE GRASS model only)
- Calibration Crank
- Safety chain
- Seed level indicator
- Main Box Capacity: 2.4 bu/ft
- Transport Light Kit

Compact Drills

Available only in ORANGE

YOU MUST ADD 11% SURCHARGE TO PRICES AS OF 8/4/21

MODEL NUMBER	DESCRIPTION	APPROX. MACHINE WEIGHT	APPROX. SHIPPING WEIGHT	LIST PRICE
706NT82-1075-03	706NT SERIES NO-TILL COMPACT DRILL - 7' WIDTH 10 Rows, 7.5" Row Spacing 2x13 Single Press Wheels	3315#	3315#	\$ 28,113
706NT82-1075-05	706NT SERIES NO-TILL COMPACT DRILL - 7' WIDTH 10 Rows, 7.5" Row Spacing 3x13 Center Rib Press Wheels	3315#	3315#	\$ 28,256
1006NT82-1575-03	1006NT SERIES NO-TILL COMPACT DRILL - 10' WIDTH 15 Rows, 7.5" Row Spacing 2x13 Single Press Wheels	5200#	5200#	\$ 34,346
1006NT82-1575-05	1006NT SERIES NO-TILL COMPACT DRILL - 10' WIDTH 15 Rows, 7.5" Row Spacing 3x13 Center Rib Press Wheels	5200#	5200#	\$ 34,942

ADD OPTION NO	COULTER OPTIONS - You Must Choose One		
-21	5/16" Fluted	\$	N/C
-24	5/8" Turbo	\$	N/C

ADD OPTION NO	HITCH OPTION		
-64-81	Standard Tongue, Pintle Hitch	\$	N/C
-64-83	Standard Tongue, Clevis Hitch	\$	N/C

BOX OPTIONS - You Must Choose One						
Option:	-40	-41	-43	-44	-46	-47
	Seed Only	Seed w/ Small Seeds	Seed and Series II Native Grass	Seed and Series II Native Grass w/ Small Seeds	Seed and Fertilizer	Seed and Fertilizer w/ Small Seeds
706NT	STD	\$4,039	\$8,739	\$12,780	\$7,081	\$10,080
1006NT	STD	\$4,263	\$11,038	\$15,299	\$7,342	\$10,404

ADD OPTION NO	ACCESSORIES		
118-895A82	706NT Agitator - 7.5" Row Spacing w/ Drive for Seeds Only or Native Grass	\$	632
118-896A	706NT Agitator - 7.5" Row Spacing w/o Drive for Fertilizer or Small Seeds	\$	443
118-899A82	1006NT Agitator - 7.5" Row Spacing w/ Drive for Seeds Only or Native Grass	\$	676
118-900A	1006NT Agitator - 7.5" Row Spacing w/o Drive for Fertilizer or Small Seeds	\$	478
817-087C	Seed Cup Plugs - Dealer installed	\$	6/row

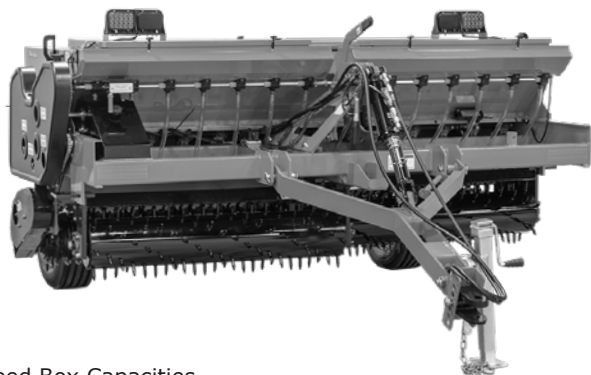
* Agitator installed in main box does not replace native grass box.
For native grass seeding, the Native Grass option is required.

These products are sold under different programs. See Terms & Policies for details.

NTS26 Series No-Till Seeders

RETURN TO INDEX

7': 3-Pt: Cat 2, 70 HP; Pull-Type: 60 HP
 9': 3-Pt: Cat. 2, 90 HP; Pull-Type: 80 HP
 11': 3-Pt: Cat. 2, 110 HP; Pull-Type: 100 HP



Seed Box Capacities

Main: 7' - 7.5 bu.; 9' - 8.8 bu., 11' - 11.3 bu.
 Small Seeds Box: 7' - 1.7 bu., 9' - 2.0 bu., 11' - 2.6 bu.
 Native Grass Box: 7' - 8.5 bu., 9' - 9.8 bu., 11' - 12.7 bu.

Pull Package:

Includes Tongue, Jack, Cylinders, and Hoses
 Axle and 2- 15" Implement Tires, Recap (4 on 11')
 Rim: 5 Bolt, 4.5"

Cylinders Master/Slave: Hitch Cylinder 3.5" x 6";
 Axle Cylinders 3.25" x 6" and 3" x 6"

Weight in lbs. without Native Grass Box: 3-pt (Pull-type)
 7' - 1,878 (2,787) 9' - 2,165 (3,124) 11' - 2,674 (3,882)
 Formed Plate A-Frame

3" x 4" Tube Frame
 Heavy Duty Lid with Seed Splash Guard
 Ground Drive Metering
 Seed Box Lock-outs
 Anti-Reverse Clutch to Prevent Seed Cup Damage
 Seed Cups: Fluted for Accurate Metering
 Cups Per Box (main and small) 7': 12, 9': 14, 11': 18
 Wide Range of Calibration Settings w/ Gearbox
 and Sprocket Chain
 Wind Guarded Seed Drop
 #40 Chain - Spring Loaded, Easy Access
 2 Front Rollers:
 8-5/8" Diameter, 1-1/4" Spindles with
 Greasable Ball Bearings
 Roller Spikes: 5/8" x 2", Heat-Treated Steel, Replaceable
 Front Roller Angling: up to 18 Degrees
 Rear Roller, Straight:
 11-3/8" Diameter, Notched and Cast Gray Iron Rings
 Two Rear Rollers on 9' and 11' Units
 Lift Hooks
 Optional Native Grass Box with Walkboard
 Acre Meter: Digital, Optional
 Available only in ORANGE
 Transport Lights Standard

NOTE: Sold under Drill Program. Must pay Freight.

YOU MUST ADD 11% SURCHARGE TO PRICES AS OF 8/4/21

<u>MODEL NUMBER</u>	<u>DESCRIPTION</u>	<u>APPROX. MACHINE-WEIGHT</u>	<u>APPROX. SHIPPING WEIGHT</u>	<u>LIST PRICE</u>
NTS260782-01	26 SERIES NO-TILL SEEDER, 7' Small seeds box and front spike roller	3500#	3500#	\$ 11,276
<u>CHOOSE OPTIONS</u>	<u>YOU MAY CHOOSE ONE OF THE FOLLOWING</u>			
-41	Pull-Type Hitch			\$ 2,957
-10-41	Native Grass Seed Box with Pull-Type Hitch			\$ 6,840
-11	Native Grass Seed Box without Pull-Type Hitch			\$ 3,916
NTS260982-01	26 SERIES NO-TILL SEEDER, 9' Small seeds box and front spike roller	3800#	3800#	\$ 12,465
<u>CHOOSE OPTIONS</u>	<u>YOU MAY CHOOSE ONE OF THE FOLLOWING</u>			
-41	Pull-Type Hitch			\$ 2,994
-10-41	Native Grass Seed Box with Pull-Type Hitch			\$ 7,099
-11	Native Grass Seed Box without Pull-Type Hitch			\$ 4,137
NTS261182-01	26 SERIES NO-TILL SEEDER, 11' Small seeds box and front spike roller	4625#	4628#	\$ 14,082
<u>CHOOSE OPTIONS</u>	<u>YOU MAY CHOOSE ONE OF THE FOLLOWING</u>			
-41	Pull-Type Hitch			\$ 3,505
-10-41	Native Grass Seed Box with Pull-Type Hitch			\$ 7,864
-11	Native Grass Seed Box without Pull-Type Hitch			\$ 4,408
	<u>YOU MAY CHOOSE AN ACREMETER</u>			
-50	Digital Acremeter			\$ 421

Compact Drills

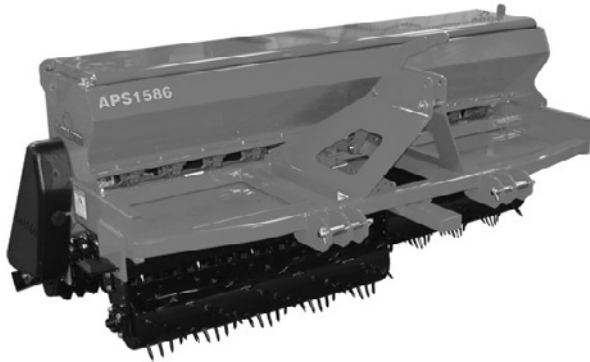
APS15 Series All Purpose Seeders

RETURN TO INDEX

25-130 HP CAT. 1 - 4', 5', 6' • CAT 1 & 2 - 7'



Compact Drills



Formed Plate A-Frame
 Heavy Duty Lid with Seed Splash Guard
 Ground Drive Metering
 Seed Shut-off Pin
 One BU/FT Water Tight Seed Box with Agitator
 Seed Cups: Fluted for Accurate Metering
 48": 7, 60": 8, 72": 10, 86": 12
 Wide Range of Calibration Settings per Acre & per
 1000 Square Feet
 Wind Guarded Seed Drop
 #40 Chain - Spring Loaded, Easy Access
 2 Front Rollers: 8" Diameter
 Roller Spikes: 1 1/2" x 1/2"
 Front Roller Angling: up to 20 degrees
 Rear Roller, Straight:
 8" Diameter with spikes and mud scrapers, or
 Cast Notched Packer Rings and mud scrapers
 Lift Hooks
 Optional Small Seeds Box
 Fits Land Pride Quick-Hitch
 Transport Lights Standard

YOU MUST ADD 11% SURCHARGE TO PRICES AS OF 8/4/21

MODEL NUMBER	DESCRIPTION	APPROX. MACHINE WEIGHT	SHIPPING WEIGHT	LIST PRICE
APS1548-01	15 SERIES ALL PURPOSE SEEDER - 48" Width	744#	1,100#	\$ 4,912
	<u>YOU MUST CHOOSE A REAR SEED PACKING OPTION</u>			
-11-21	Spike Roller with Mud Scraper	218#	218#	\$ 1,591
-12-22	Cast Iron Notched Roller with Mud Scraper	353#	353#	\$ 1,656
	<u>YOU MAY CHOOSE A SMALL SEEDS BOX</u>			
-91	Small Seeds Box (.95 bushel capacity)	78#	93#	\$ 2,122
APS1560-01	15 SERIES ALL PURPOSE SEEDER - 60" Width	896#	1,252#	\$ 5,814
	<u>YOU MUST CHOOSE A REAR SEED PACKING OPTION</u>			
-11-21	Spike Roller with Mud Scraper	258#	258#	\$ 1,740
-12-22	Cast Iron Notched Roller with Mud Scraper	420#	420#	\$ 1,811
	<u>YOU MAY CHOOSE A SMALL SEEDS BOX</u>			
-91	Small Seeds Box (1.08 bushel capacity)	81#	96#	\$ 2,217
APS1572-01	15 SERIES ALL PURPOSE SEEDER - 72" Width	904#	1,260#	\$ 6,719
	<u>YOU MUST CHOOSE A REAR SEED PACKING OPTION</u>			
-11-21	Spike Roller with Mud Scraper	297#	297#	\$ 1,887
-12-22	Cast Iron Notched Roller with Mud Scraper	486#	486#	\$ 1,966
	<u>YOU MAY CHOOSE A SMALL SEEDS BOX</u>			
-91	Small Seeds Box (1.31 bushel capacity)	84#	99#	\$ 2,310
APS1586-01	15 SERIES ALL PURPOSE SEEDER - 86" Width	1,079#	1,334#	\$ 7,818
	<u>YOU MUST CHOOSE A REAR SEED PACKING OPTION</u>			
-11-21	Spike Roller with Mud Scraper	341#	341#	\$ 2,034
-12-22	Cast Iron Notched Roller with Mud Scraper	591#	591#	\$ 2,119
	<u>YOU MAY CHOOSE A SMALL SEEDS BOX</u>			
-91	Small Seeds Box (1.54 bushel capacity)	88#	103#	\$ 2,428
ADD OPTION NO.	COLOR OPTION (No Option=Buckskin)			
-82	Orange			
	Available through the Parts Dept.			
313-767A	Small Seeds Box - APS1548 S/N 908756+	78#	93#	\$ 2,122
313-769A	Small Seeds Box - APS1560 S/N 908756+	81#	96#	\$ 2,217
313-771A	Small Seeds Box - APS1572 S/N 908756+	84#	99#	\$ 2,310
313-773A	Small Seeds Box - APS1586 S/N 908756+	88#	103#	\$ 2,428
	ACCESSORIES			
316-362S	SMV Sign & Mounting Blade		4#	\$ 38

OS15 Series - 48" Width Overseeders

RETURN TO INDEX

25-60 HP



Compact Drills



Made in USA
 Hitch: Cat. 1
 Formed Plate A-Frame
 Knives: High Carbon, Heat Treated, 5 per Flange
 Standard: $\frac{3}{16}$ "
 Curved: $\frac{5}{32}$ "
 Knife Tip Speed: 2000 fpm
 Rotor Diameter: 18"
 Rotor Speed: 400 rpm
 Tires: Two 8.5" x 18" with Tubes on Wheel Drive
 One bu/ft Water Tight Seed Box with Agitator
 Wide Range of Calibration Settings per Acre and per 1000 Square Feet
 Seed Cups: 7, Powder Metal Flutes for Accurate Metering
 Lift Hooks
 Heavy Duty Slip-Clutch Driveline
 Profile Stamped Chain Box, Drain Plug, Vent Plug
 #80 Roller Chain: Adjustable, Fully Enclosed in Oil Bath
 Seed Rollers: 22 Cast Notched Rollers with Profile Stamped Scraper
 Wind Guarded Splash Plate
 Fits Land Pride Quick-Hitch
 Transport Lights Standard

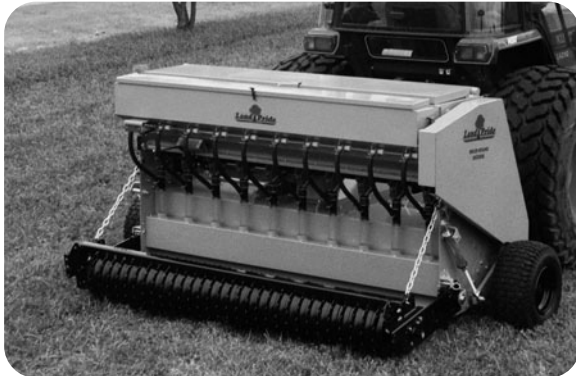
YOU MUST ADD 11% SURCHARGE TO PRICES AS OF 8/4/21

<u>MODEL NUMBER</u>	<u>DESCRIPTION</u>	<u>APPROX. MACHINE WEIGHT</u>	<u>SHIPPING WEIGHT</u>	<u>LIST PRICE</u>
OS1548-043551	15 SERIES OVERSEEDER - 48" Width, 2" Spacing Curved Blades, Cast Rollers, Gauge Wheel Seed Box Drive	1290#	1460#	\$ 12,212
OS1548-043553	15 SERIES OVERSEEDER - 48" Width, 2" Spacing Curved Blades, Cast Rollers, Roller Seed Box Drive	1250#	1420#	\$ 11,717
OS1548-023553	15 SERIES OVERSEEDER - 48" Width, 3" Spacing Standard Blades, Cast Rollers, Roller Seed Box Drive	1220#	1390#	\$ 11,304
ADD OPTION NO.	SMALL SEEDS BOX For Simultaneous Seeding (Dealer Installed) (.95 Bushel capacity)			
-91	Small Seeds Box with Gauge Wheel Drive (308-361A)		35#	\$ 2,156
-92	Small Seeds Box with Rear Roller Drive (308-362A)		35#	\$ 2,251
	SPRING TINE HARROW Attaches behind the seed drop to help move the seed to the soil			
-21	Spring Tine Harrow (308-316A) (Will not work in conjunction with slit-seeder)		59#	\$ 733
	SLIT SEEDING ATTACHMENT For seeding directly into slits			
308-160A	2" Slit-Seeding Attachment		38#	\$ 1,088
308-163A	3" Slit-Seeding Attachment		36#	\$ 1,088
	FRONT ROLLER (Recommended with Roller Seed Box Drive) Full width, Anti-scalping, Depth control, Floating top link			
308-258A	Front Roller - 48"		173#	\$ 1,123
ADD OPTION NO.	COLOR OPTION (No Option=Buckskin)			
-82	Orange			
	Available through the Parts Dept.			
308-372A	Small Seeds Box - Gauge Wheel Drive - S/N 908756+			
308-374A	Small Seeds Box - Rear Roller Drive - S/N 908756+			
	ACCESSORIES			
316-362S	SMV Sign & Mounting Blade		4#	\$ 38

OS15 Series - 72" Width Overseeders

RETURN TO INDEX

30-60 HP



Made in USA
 Hitch: Cat. 1
 Formed Plate A-Frame
 Knives: High Carbon, Heat Treated, 5 per Flange
 Standard: $\frac{3}{16}$ "
 Curved: $\frac{5}{32}$ "
 Knife Tip Speed: 2000 fpm
 Rotor Diameter: 18"
 Rotor Speed: 400 rpm
 Tires: Two 8.5" x 18" with Tubes on Wheel Drive
 One BU/FT Water Tight Seed Box with Agitator
 Wide Range of Calibration Settings per Acre and per 1000 Square Feet
 Seed Cups: 10, Powder Metal Flutes for Accurate Metering
 Lift Hooks
 Heavy Duty Slip-Clutch Driveline
 Profile Stamped Chain Box, Drain Plug, Vent Plug
 #100 Roller Chain: Adjustable, Fully Enclosed in Oil Bath
 Seed Rollers: 31 Cast Notched Rollers with Profile Stamped Scraper
 Wind Guarded Splash Plate
 Fits Land Pride Quick-Hitch
 Transport Lights Standard

Compact Drills

YOU MUST ADD 11% SURCHARGE TO PRICES AS OF 8/4/21

MODEL NUMBER	DESCRIPTION	APPROX. MACHINE WEIGHT	SHIPPING WEIGHT	LIST PRICE
OS1572-043551	15 SERIES OVERSEEDER - 72" Width, 2" Spacing Curved Blades, Cast Rollers, Gauge Wheel Seed Box Drive	1640#	1810#	\$ 15,902
OS1572-043553	15 SERIES OVERSEEDER - 72" Width, 2" Spacing Curved Blades, Cast Rollers, Roller Seed Box Drive	1600#	1770#	\$ 15,407
OS1572-023553	15 SERIES OVERSEEDER - 72" Width, 3" Spacing Standard Blades, Cast Rollers, Roller Seed Box Drive	1565#	1735#	\$ 14,868
ADD OPTION NO.				
SMALL SEEDS BOX For simultaneous seeding (Dealer Installed) Approx. One Bushel Capacity (1.36 Bushel)				
-91	Small Seeds Box with Gauge Wheel Drive (308-363A)		45#	\$ 2,337
-92	Small Seeds Box with Rear Roller Drive (308-364A)		45#	\$ 2,446
SPRING TINE HARROW				
Attaches behind the seed drop to help move the seed to the soil				
-21	Spring Tine Harrow (308-317A) (Will not work in conjunction with slit-seeder)		78#	\$ 939
SLIT SEEDING ATTACHMENT For seeding directly into slits				
308-152A	2" Slit-Seeding Attachment		56#	\$ 1,326
308-155A	3" Slit-Seeding Attachment		55#	\$ 1,326
FRONT ROLLER (Recommended with Roller Seed Box Drive) Full Width, Anti-Scalping, Depth Control, Floating Top Link				
308-259A	Front Roller - 72"		205#	\$ 1,527
ADD OPTION NO.				
COLOR OPTION (No Option=Buckskin)				
-82	Orange			
Available through the Parts Dept.				
308-377A	Small Seeds Box - Gauge Wheel Drive - S/N 908756+	71#	78#	\$ 2,156
308-379A	Small Seeds Box - Rear Roller Drive - S/N 908756+	71#	78#	\$ 2,251
ACCESSORIES				
316-362S	SMV Sign & Mounting Blade		4#	\$ 38

PS15 Series Primary Seeders

[RETURN TO INDEX](#)

25-60 HP CAT. 1



Compact Drills



Made in USA
 Hitch: Cat. 1
 Seeding Width: 70¹/₂"
 Formed Plate A-Frame
 Heavy Duty Lid with Seed Splash Guard
 Ground Drive Metering
 One BU/FT Water Tight Seed Box with Agitator
 Seed Cups: 10 Fluted for Accurate Metering
 Wide Range of Calibration Settings per Acre & per 1000 Square Feet
 Wind Guarded Seed Drop
 #40 Chain - Spring Loaded, Easy Access
 Front Roller: 29 Rings - 12" Diameter Packer Wheels
 Rear Roller: 30 Rings
 9¹/₂" Diameter, Spring Loaded with Flexing Ability
 Roller Spindles:
 1¹/₂" Front, 1" Rear with Greasable Bearings
 Spring-Tine Track Removers: Two Each
 Lift Hooks
 Fits Land Pride Quick-Hitch
 Transport Lights Standard

YOU MUST ADD 11% SURCHARGE TO PRICES AS OF 8/4/21

temporarily suspended

MODEL NUMBER	DESCRIPTION	APPROX. MACHINE WEIGHT	SHIPPING WEIGHT	LIST PRICE
PS1572	15 SERIES PRIMARY SEEDER 72" Width with Dual Track Removers	1165#	1320#	\$ 7,754
ADD OPTION NO.	COLOR OPTION (No Option=Buckskin)			
-82	Orange			
	ACCESSORIES			
316-362S	SMV Sign & Mounting Blade		4#	\$ 38

PTS Series Pull-Type Spreaders

RETURN TO INDEX

Pull-Type



Hitch: Pull-Type, 2" Ball Hitch
 Ground Driven
 Spin-Type Broadcast
 Two Hopper Sizes
 Hopper: One Piece, Seamless Polyethylene
 Heavy-Duty Tubular Frame
 Plated Vanes and Spinner
 Plated Adjustment Levers
 Loading Height: 54" Average
 Max. Spreading Width: 39-46 Ft. (Based on 8 mph)
 Spreading Capacity: 44-890 lbs
 Three Pattern Settings
 Overall Width: 41"
 Wheel Size: 16x6.5-8
 Acres Covered Per Hour: 7-15
 (depending on slide opening)

Compact Drills

YOU MUST ADD 11% SURCHARGE TO PRICES AS OF 8/4/21

NUMBER	DESCRIPTION	APPROX. MACHINE WEIGHT	SHIPPING WEIGHT	LIST PRICE
PTS500	FERTILIZER SPREADER 350 lb / 5.85 cu. ft. capacity	165#	185#	\$ 1,471
PTS700	FERTILIZER SPREADER 563 lb / 9.38 cu. ft. capacity	176#	196#	\$ 1,540
<u>Available through the Parts Dept.</u>				
891-145C	PTS500 Hopper Cover			\$ 86
891-146C	PTS700 Hopper Cover			\$ 108

PFS Series Pendulum Spreaders

RETURN TO INDEX

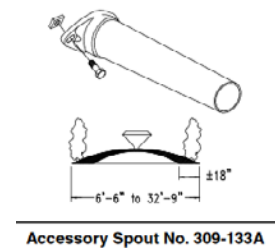
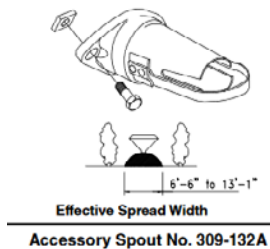
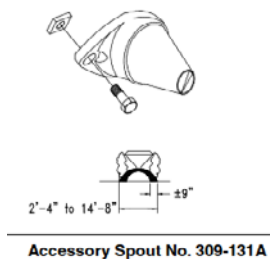
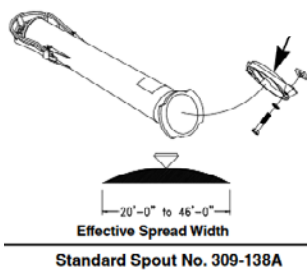
Compact Drills



Hitch: PFS4000: Cat. 1
 PFS5060: Cat. 1 & 2
 PFS8010: Cat. 2
 Delivery: Pendulum Type
 Manual Opening System
 540 rpm
 Six Hopper Configurations
 Hopper: One Piece, Seamless Fiberglass
 (PFS4000 is Cone Shape Polyethylene)
 Heavy-Duty Tubular Frame
 Shielded Driveline
 Spreading Width w/Standard Plastic Spout: 20' to 46'
 Spreading Capacity: 44-890 lbs/Acre
 Gearbox: 1³/₈" Shaft
 Plated Adjustment Levers

YOU MUST ADD 11% SURCHARGE TO PRICES AS OF 8/4/21

NUMBER	DESCRIPTION	APPROX. MACHINE WEIGHT	SHIPPING WEIGHT	LIST PRICE
PFS4000	PENDULUM SPREADER 925 lb. capacity	270#	295#	\$ 2,800
PFS5060	PENDULUM SPREADER 1150 lb. capacity	391#	416#	\$ 3,780
ADD OPTION NO. (PFS5060 only)				
-01	Top Extension - increases PFS5060 capacity to 1,393 lbs. (309-127A)	25#	25#	\$ 639
-10	Hydraulic Opening System (309-126A)	15#	15#	\$ 531
-20	Agitator (309-134A)	10#	10#	\$ 171
PFS8010	PENDULUM SPREADER 2040 lb capacity	504#	529#	\$ 4,759
ADD OPTION NO. (PFS8010 only)				
-01	Top Extension - increases PFS8010 capacity to 2,522 lbs. (309-128A)	30#	30#	\$ 691
-02	Top Extension - increases PFS8010 capacity to 2,998 lbs. (309-129A)	40#	40#	\$ 740
-10	Hydraulic Opening System (309-130A)	15#	15#	\$ 558
-20	Agitator (309-134A)	10#	10#	\$ 171
Additional Spouts Available through the Parts Department (for all models)				
309-131A	Stainless Steel Short Spout for Narrow Spreading; 2'4" to 14'8"			\$ 1,000
309-132A	Stainless Steel Spout for Vineyards; 6'6" to 13'1"			\$ 909
309-133A	Stainless Steel Spout for Vineyards/Orchards; 6'6" to 32'9"			\$ 834
309-136A	Small Seeds Plate Limiter (closes off parts of seed openings to control the flow of small seeds)			\$ 126



FSP Series Fertilizer Spreaders

RETURN TO INDEX

Cat. 1

Compact Drills



Hitch: Category 1 (Not QH Adaptable)
 540 rpm
 Spin-Type Broadcast
 Three Hopper Sizes
 Hopper: One Piece, Seamless Polyethylene
 Heavy-Duty Tubular Frame
 Shielded Driveline
 Plated Vanes
 Loading Height:
 FSP500: 3'
 FSP700: 3'4"
 FSP1000: 3'9"
 Spreading Width: Up to Approx. 54 Ft.
 Spreading Capacity: 44-890 lbs/Acre
 Gearbox: 1:1 Ratio, 1³/₈" Shaft
 Three Pattern Settings
 Plastic Agitator Wheel, Steel Arm
 Stainless Steel Orifice Doors
 Plated Adjustment Levers

YOU MUST ADD 11% SURCHARGE TO PRICES AS OF 8/4/21

NUMBER	DESCRIPTION	APPROX. MACHINE WEIGHT	SHIPPING WEIGHT	LIST PRICE
Price for 1 Spreader				
FSP500-81	FERTILIZER SPREADER 350 lb / 5.85 cu. ft. capacity	102#	102#	\$ 947
FSP700-81	FERTILIZER SPREADER 563 lb / 9.38 cu. ft. capacity	112#	112#	\$ 992
FSP1000-81	FERTILIZER SPREADER 673 lb / 11.22 cu. ft. capacity	125#	125#	\$ 1,042
Price for 2 to 5 Spreaders - Any Combination				
FSP500-82	FERTILIZER SPREADER 350 lb / 5.85 cu. ft. capacity	102#	102#	\$ 907
FSP700-82	FERTILIZER SPREADER 563 lb / 9.38 cu. ft. capacity	112#	112#	\$ 952
FSP1000-82	FERTILIZER SPREADER 673 lb / 11.22 cu. ft. capacity	125#	125#	\$ 1,002
Price for 6 or More Spreaders - Any combination				
FSP500	FERTILIZER SPREADER 350 lb / 5.85 cu. ft. capacity	102#	102#	\$ 869
FSP700	FERTILIZER SPREADER 563 lb / 9.38 cu. ft. capacity	112#	112#	\$ 914
FSP1000	FERTILIZER SPREADER 673 lb / 11.22 cu. ft. capacity	125#	125#	\$ 964
<u>Available through the Parts Dept.</u>				
891-145C	FSP500 Hopper Cover			\$ 86
891-146C	FSP700 & FSP1000 Hopper Cover			\$ 108

SBR Series Seed Bed Roller

RETURN TO INDEX

18-52 HP



Hitch: Cat 1 with Optional Pull-Type Tongue with indexing Clevis and 2" Ball combination
 Working Width: 72"
 Overall Width: 3 Point: 72: 77"
 Pull Type: 72: 84"
 Roller Diameter: 11³/₈"
 Roller Material: Gray Iron
 Profiled Roller Scraper
 Transport Tires on Pull Type, 2 ea 10" x 3¹/₄"
 Hitch Support Stand
 Fits Land Pride Quick Hitch (3 Point model)

Dirtworking

YOU MUST ADD 11% SURCHARGE TO PRICES AS OF 8/4/21

MODEL NUMBER	DESCRIPTION	APPROX. MACHINE WEIGHT	SHIPPING WEIGHT	LIST PRICE
SBR72	72" SEED BED ROLLER - 3 Point Cat. 1 Hitch	442#	462#	\$ 2,065
SBR72-01	72" SEED BED ROLLER - with Pull Tongue & Transport Tires	478#	498#	\$ 2,649

ADD OPTION NO. COLOR OPTION (No Option=Buckskin)
 -82 Orange

*When Pull Tongue is removed, hitch straps can be rotated upward to form a 3-point hitch.

Use as a stand alone product, or combine with a Disc Harrow (DH Series) with the Seeding Option package (option no. 40), and a Drag Harrow (DRG Series) for a complete seeding package! Each sold separately.



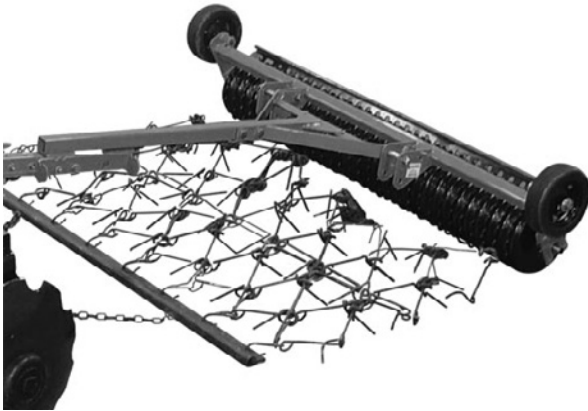
DRG Series Drag Harrows

RETURN TO INDEX

MIN HP: 4: 8 HP • 6: 12 HP • 8: 16 HP

Dirtworking

Hitch: 2 Log Chains with Pull Ring
 Number of Tines: 4': 60 6': 90 8': 120
 Tine Diameter: 1/2"
 Tine Construction: High Carbon Steel



Drag Harrow shown with Seed Bed Roller

YOU MUST ADD 11% SURCHARGE TO PRICES AS OF 8/4/21

MODEL NUMBER	DESCRIPTION	APPROX. MACHINE WEIGHT	SHIPPING WEIGHT	LIST PRICE
DRG04	DRAG HARROW - 4'W x 4'L	89#	109#	\$ 498
DRG06	DRAG HARROW - 6'W x 4'L	138#	158#	\$ 615
DRG08	DRAG HARROW - 8'W x 4'L	185#	205#	\$ 733

FPS48 Series Food Plot Seeders

RETURN TO INDEX

Dirtworking

Pull-Type



Length: 104"
 Width: 54"
 Weight Load on Each Disc: 46 lbs
 Number of Disc Blades: 8
 Disc Blade Size & Type: 16" Notched
 Blade Spacing: 7 1/2"
 Transport / Gauging Tires: 13" Diameter 4 Ply Tubeless
 Bearing Hanger: 3/8" Plate
 Bearing Type, 2 per Gang: Self Aligning, Sealed Bearing
 Gang Tube: 3" x 2"
 Gang Axle: 1" Square High Carbon Steel
 Disc Angle: Front Gang: 0, 7, 14 & 21 Degrees
 Rear Gang: 0, 7, 14 & 21 Degrees
 Frame Construction: 2" x 2" Square Tubular Design
 Lifting Device: Electric Actuator, 12 Volt or Ratchet Jack
 Rear Axle Pivot Type: Greasable
 Rear Roller Bearing: Greasable
 Packer Roller Width: 40 - 7/16"
 Spreading Device: Spin Spreader, 12V,
 Electrically operated
 Spreader Hopper Loading Height: 42" off Ground
 Spreader Hopper Volume/Capacity: 2 cu. ft. (15 gallons)
 (100 lbs. Maximum Capacity Weight)
 Spin Spreader
 Deflector Small Seed
 Restrictor

Hitch Type: Pull Type with Combination 2" Ball Hitch
 and Clevis Hitch
 Disc Cutting Width: 40"- 50"
 Minimum ATV Size: 350 cc
 Minimum Tractor / Vehicle Size: 17 HP
 Height: 52"

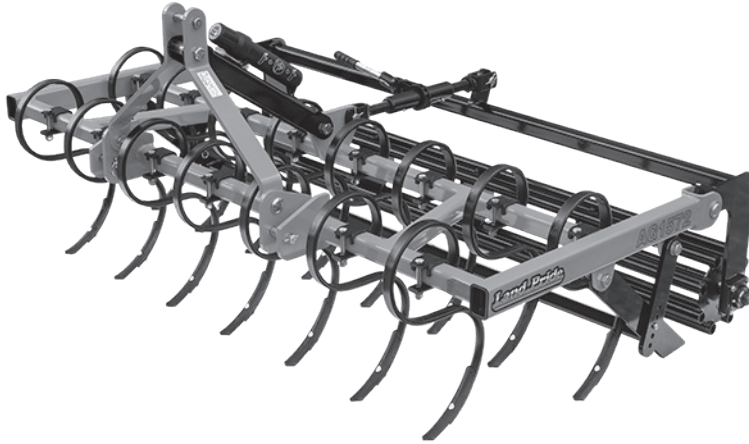
YOU MUST ADD 11% SURCHARGE TO PRICES AS OF 8/4/21

MODEL NUMBER	DESCRIPTION	APPROX. MACHINE WEIGHT	SHIPPING WEIGHT	LIST PRICE
temporarily suspended FPS48-11	48" FOOD PLOT SEEDER: PLOT RANGER Spin Spreader & Rear Roller	510#	690#	\$ 3,018
temporarily suspended FPS48	48" FOOD PLOT SEEDER: PLOT RANGER Disc Only	370#	480#	\$ 1,934
<u>YOU MUST CHOOSE ONE TRANSPORT LIFT PACKAGE</u>				
-20	Ratchet Jack Lift		15#	\$ 110
-21	Electric Actuator Lift		14#	\$ 860
<u>COLOR OPTION (No Option=Buckskin)</u>				
-82	Orange			
Available through the Parts Department				
322-129S	SPREADER ONLY with mounting bracket for use with a 2" Receiver		25#	\$ 762

AG15 Arena Graders

[RETURN TO INDEX](#)

18-45 HP



Cat. 1 3-Point Hitch
 Quick Hitch Compatible
 Working Width: 60", 72", 84"
 4" Working Depth
 Ratchet Jack Depth Control
 2x2 Square Tubing Cross Frame
 2x3 End Tube
 S-Tines with Replaceable Tips
 Adjustable Depth Roller, Mesh or Pipe
 Adjustable Leveling Bar
 Available only in ORANGE

Dirtworking

YOU MUST ADD 11% SURCHARGE TO PRICES AS OF 8/4/21

MODEL NUMBER	DESCRIPTION	APPROX. MACHINE WEIGHT	SHIPPING WEIGHT	LIST PRICE
AG1560-82	15 SERIES ARENA GRADER - 60"	525#	621#	\$ 1,422
OPTIONS	You MUST Choose a Rear Roller			
-10	Pipe Roller (307-327A)	175#		\$ 859
-11	Mesh Roller (307-328A)	144#		\$ 978
AG1572-82	15 SERIES ARENA GRADER - 72"	564#	660#	\$ 1,624
OPTIONS	You MUST Choose a Rear Roller			
-10	Pipe Roller (307-329A)	197#		\$ 909
-11	Mesh Roller (307-330A)	157#		\$ 1,057
AG1584-82	15 SERIES ARENA GRADER - 84"	593#	689#	\$ 1,742
OPTIONS	You MUST Choose a Rear Roller			
-10	Pipe Roller (307-331A)	218#		\$ 959
-11	Mesh Roller (307-332A)	170#		\$ 1,147

RB05 Series

[RETURN TO INDEX](#)

17-25 HP

YOU MUST ADD 11% SURCHARGE TO PRICES AS OF 8/4/21



Hitch: Cat. 1
 Blade Angles:
 5 Fwd Up to 30 Degrees; 5 Reverse Up to 30 Degrees
 Offset: 10" Left or Right
 Moldboard Height: 13¹/₂"
 Moldboard Thickness: 1/4"
 Cutting Edge: 3/8" x 3" Heat Treated; Bolt-On
 Parking Stand
 Landscape Rake Adaptable

MODEL NUMBER	DESCRIPTION
RB0548	05 SERIES REAR BLADE - 48" Width
RB0560	05 SERIES REAR BLADE - 60" Width
ADD OPTION NO. COLOR OPTION (No Option=Buckskin)	
-82	Orange

APPROX. MACHINE WEIGHT	SHIPPING WEIGHT	LIST PRICE
128#	164#	\$ 590
143#	179#	\$ 616

List Price is for Each:
 RB05s Are Packaged 2 Units Per Crate.

Dirtworking

RB15 Series

17-40 HP

YOU MUST ADD 11% SURCHARGE TO PRICES AS OF 8/4/21



Hitch: Cat. 1
 Blade Angles:
 7 Forward Up to 45 Degrees
 5 Reverse Up to 30 Degrees
 Offset: 12" Left or Right
 Moldboard Height: 14"
 Moldboard Thickness: 1/4"
 Cutting Edge: 1/2" x 6" Heat Treated; Reversible & Replaceable
 Landscape Rake Adaptable
 Parking Stand
 Fits Land Pride Quick-Hitch

MODEL NUMBER	DESCRIPTION
RB1560	15 SERIES REAR BLADE - 60" Width
RB1572	15 SERIES REAR BLADE - 72" Width
RB1584	15 SERIES REAR BLADE - 84" Width
ADD OPTION NO. COLOR OPTION (No Option=Buckskin)	
-82	Orange

APPROX. MACHINE WEIGHT	SHIPPING WEIGHT	LIST PRICE
248#	284#	\$ 730
269#	305#	\$ 816
289#	325#	\$ 885

List Price is for each:
 RB15s Are Packaged 2 Units Per Crate.

RB16 Series

20-40 HP

YOU MUST ADD 11% SURCHARGE TO PRICES AS OF 8/4/21



Hitch: Cat. 1
 Moldboard Height: 14"
 Moldboard Thickness: 1/4"
 Cutting Edge: 1/2" x 6" Heat Treated; Reversible & Replaceable
 Fits Land Pride Quick-Hitch
 Tilt: 5 Positions Up to 15 Degrees
 Offset: Left 12", Right 12"
 Angles: 7 Forward Up to 45 Degrees
 3 Reverse Up to 30 Degrees
 Parking Stand

MODEL NUMBER	DESCRIPTION
RB1660	16 SERIES REAR BLADE - 60" Width with 3-Way Position
RB1672	16 SERIES REAR BLADE - 72" Width with 3-Way Position
RB1684	16 SERIES REAR BLADE - 84" Width with 3-Way Position
ADD OPTION NO. COLOR OPTION (No Option=Buckskin)	
-82	Orange

APPROX. MACHINE WEIGHT	SHIPPING WEIGHT	LIST PRICE
283#	319#	\$ 970
297#	338#	\$ 1,028
319#	355#	\$ 1,103

List Price is for each:
 RB16s Are Packaged 2 Units Per Crate.

See pg. 108 for Hydraulic Angling & Other Accessories

RB26 Series

RETURN TO INDEX

25-60 HP



Hitch: Cat. 1
 Blade Angles:
 7 Forward Up to 45 Degrees
 3 Reverse Up to 30 Degrees
 Moldboard Height: 17¹/₂"
 Moldboard Thickness: ⁵/₁₆"
 Cutting Edge: ¹/₂" x 6" Heat Treated;
 Replaceable & Reversible
 Tilt: 5 Positions Up to 30 Degrees
 Offset: Left 12", Right 12"
 Mechanical or Optional Hydraulics for Angling
 Parking Stand
 Fits Land Pride Quick-Hitch

Dirtworking

YOU MUST ADD 11% SURCHARGE TO PRICES AS OF 8/4/21

<u>MODEL NUMBER</u>	<u>DESCRIPTION</u>	<u>APPROX. MACHINE WEIGHT</u>	<u>SHIPPING WEIGHT</u>	<u>LIST PRICE</u>
RB2672	26 SERIES REAR BLADE - 72" Width with 3-Way Position	369#	401#	\$ 1,310
RB2684	26 SERIES REAR BLADE - 84" Width with 3-Way Position	396#	428#	\$ 1,389
RB2696	26 SERIES REAR BLADE - 96" Width with 3-Way Position	425#	457#	\$ 1,494
ADD				
<u>OPTION NO.</u>	<u>COLOR OPTION (No Option=Buckskin)</u>			
-82	Orange			

See pg. 108 for Hydraulic Angling & Other Accessories

RB37 Series

35-80 HP



Hitch: Cat. 1 & 2 Combination
 Blade Angles:
 7 Forward Up to 45 Degrees
 3 Reverse Up to 30 Degrees
 Offset: 26" Left, 26" Right
 Tilt: 7 Positions Up to 22.5 Degrees,
 Left or Right, 45 Degrees Total
 Moldboard Height: 17"
 Moldboard Thickness: ⁵/₁₆"
 Cutting Edge: ¹/₂" x 6" Heat Treated;
 Reversible & Replaceable
 Parking Stand
 Fits Land Pride Quick-Hitch

YOU MUST ADD 11% SURCHARGE TO PRICES AS OF 8/4/21

<u>MODEL NUMBER</u>	<u>DESCRIPTION</u>	<u>APPROX. MACHINE WEIGHT</u>	<u>SHIPPING WEIGHT</u>	<u>LIST PRICE</u>
RB3772	37 SERIES REAR BLADE - 72" Width	484#	521#	\$ 1,858
RB3784	37 SERIES REAR BLADE - 84" Width	533#	570#	\$ 2,010
RB3796	37 SERIES REAR BLADE - 96" Width	566#	603#	\$ 2,083
ADD				
<u>OPTION NO.</u>	<u>COLOR OPTION (No Option=Buckskin)</u>			
-82	Orange			

temporarily suspended

See pg. 108 for Other Accessories

RBT35 Series - 3-Way Hydraulic Rear Blades

[RETURN TO INDEX](#)

2WD: 35-80 HP • 4WD: Up to 65 HP



Dirtworking



Hitch: Cat. 1 or 2 (Quick Hitch Adaptable)
 Hydraulic Adjustments with Hose & Fittings
 Blade Angles: Manual: 10 Degree Increments
 Hydraulic: Up to 50 Degrees
 Offset: Up to 30" Left & Right
 Tilt: Up to 20 Degrees
 Moldboard: 17" Tall, 5/16" Thick; 3/16" Tapered
 Reinforcement Channel
 Moldboard Kingpin: 3"
 Cutting Edge: 1/2" x 6" Heat Treated; Reversible
 Main Frame: Fully Welded, Tubular Construction
 Retractable Parking Stand
 Fits Land Pride Quick-Hitch

YOU MUST ADD 11% SURCHARGE TO PRICES AS OF 8/4/21

<u>MODEL NUMBER</u>	<u>DESCRIPTION</u>	<u>APPROX. MACHINE WEIGHT</u>	<u>SHIPPING WEIGHT</u>	<u>LIST PRICE</u>
RBT3584	35 SERIES REAR BLADE - 84" width - Base Unit	643#	847#	\$ 2,767
RBT3596	35 SERIES REAR BLADE - 96" width - Base Unit	698#	902#	\$ 2,872
ADD				
<u>OPTION NO.</u>	<u>OFFSET FEATURE</u>			
-01	Hydraulic Offset - 3 1/2" x 14" Cylinder (300-216A)	44#		\$ 387
-02	Manual Offset Link (300-217A)	27#		\$ 196
TILT FEATURE				
-11	Hydraulic Tilt - 2" x 6" Cylinder (300-225A)	25#		\$ 334
-12	Manual Tilt Ratchet (890-637C)	13#		\$ 80
ANGLE FEATURE				
-21	Hydraulic Angle - 3 1/2" x 14" Cylinder (300-216A)	44#		\$ 387
-22	Manual Angle Link (300-224A)	26#		\$ 196
COLOR OPTION (No Option=Buckskin)				
-82	Orange			
ACCESSORIES				
301-208A	Hydraulic Cushion Valve and Hoses		30#	\$ 598
301-258A	Hydraulic Selector Valve (for use with two duplex outlets) Will allow operation of 3 cylinders with two tractor outlets		35#	\$ 274
301-010A	Side Plates		30#	\$ 185
301-186A	Skid Shoes - S/N 633629 & below		42#	\$ 268
301-333A	Skid Shoes - S/N 633630 & above		42#	\$ 268
300-219A	Single Gauge Wheel - Hydraulically Controlled		85#	\$ 1,017
300-227A	Single Gauge Wheel - Manually Controlled		85#	\$ 638

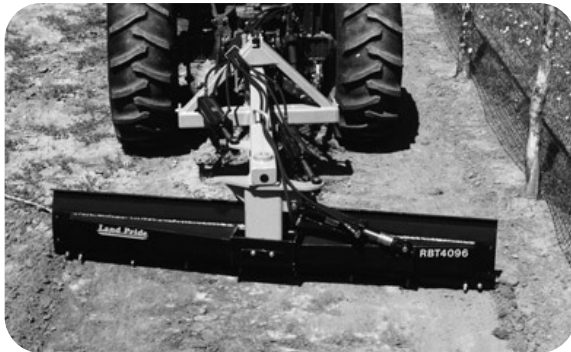
Hydraulic Cushion Valve cushions the shock load to one cylinder by allowing the oil to flow back to the other cylinders.

*301-208A and 301-258A cannot work in conjunction with each other

RBT40 Series - 3-Way Hydraulic Rear Blades

RETURN TO INDEX

2WD: 65-100 HP • 4WD: Up to 75 HP



Hitch: Cat. 1 or 2 (Quick Hitch Adaptable)
 Hydraulic Adjustments with Hose & Fittings
 Blade Angles: 15, 30 & 45 Degrees Left
 & Right: Forward & Reverse
 Offset: Up to 30" Left & Right
 Tilt: Up to 15 Degrees
 Moldboard: 17" Tall, 5/16" Thick; 1/4" Tapered
 Reinforcement Channel
 Moldboard Kingpin: 3"
 Cutting Edge: 1/2" x 6" Heat Treated; Reversible
 Main Frame: Fully Enclosed Welded, Formed Box
 Retractable Parking Stand
 Fits Land Pride Quick-Hitch

Dirtworking

YOU MUST ADD 11% SURCHARGE TO PRICES AS OF 8/4/21

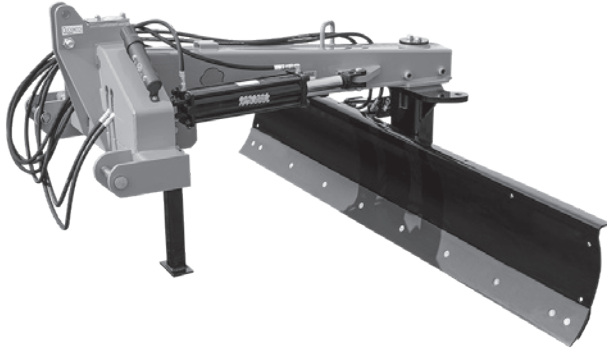
MODEL NUMBER	DESCRIPTION	APPROX. MACHINE WEIGHT	SHIPPING WEIGHT	LIST PRICE
RBT4096	40 SERIES REAR BLADE - 96" width - Base Unit	773#	977#	\$ 3,383
RBT40108	40 SERIES REAR BLADE - 108" width - Base Unit	823#	1,027#	\$ 3,571
ADD				
OPTION NO.	OFFSET FEATURE			
-01	Hydraulic Offset - 3 1/2"x16"x1-1/4" Cylinder (300-181A)	44#		\$ 440
-02	Manual Offset Link (300-182A)	31#		\$ 274
TILT FEATURE				
-11	Hydraulic Tilt - 3"x6"x1-1/4" Cylinder (300-183A)	25#		\$ 440
-12	Manual Tilt Ratchet (890-637C)	13#		\$ 80
ANGLE FEATURE				
-21	Hydraulic Angle - 3 1/2"x16"x1-1/4" Cylinder (300-181A)	44#		\$ 440
-22	Manual Angle Link (300-182A)	31#		\$ 274
COLOR OPTION (No Option=Buckskin)				
-82	Orange			
ACCESSORIES				
301-208A	Hydraulic Cushion Valve and Hoses for RBT4084 & 96		30#	\$ 598
301-187A	Hydraulic Cushion Valve and Hoses for RBT40108		10#	\$ 598
301-188A	Hydraulic Selector Valve (for use with two duplex outlets) Will allow operation of 3 cylinders with two tractor outlets		35#	\$ 274
301-010A	Side Plates		30#	\$ 185
301-186A	Skid Shoes - S/N 633691 & below		42#	\$ 268
301-333A	Skid Shoes - S/N 633882 & above		42#	\$ 268

Hydraulic Cushion Valve cushions the shock load to one cylinder by allowing the oil to flow back to the other cylinders.

RBT45 Series - 3-Way Hydraulic

RETURN TO INDEX

70-125 HP



Hitch: Cat. 2 or 3 (Quick Hitch Adaptable)
 Hydraulic Adjustments with Hose
 Blade Angles: up to 45 Degrees Left & Right
 Forward & Reverse, 4-1/2" x 16" x 2" Cylinder
 Offset: Up to 35" Left & Right, 4-1/2" x 16" x 2" Cylinder
 Tilt: Up to 15 Degrees, 3-1/2" x 8" x 1-1/4" Cylinder
 Moldboard: 19" Tall, 5/16" Thick; 1/4" Tapered
 Reinforcement Channel
 Cutting Edge: 1/2" x 6" Heat Treated; Reversible
 Main Frame: Fully Enclosed Welded, Formed Box
 Retractable Parking Stand

Dirtworking

YOU MUST ADD 11% SURCHARGE TO PRICES AS OF 8/4/21

MODEL NUMBER	DESCRIPTION	APPROX. MACHINE WEIGHT	SHIPPING WEIGHT	LIST PRICE
RBT4596-011121	45 SERIES REAR BLADE 96" Width - Hydraulic Adjustments	1130#	1271#	\$ 5,980
RBT45108-011121	45 SERIES REAR BLADE 108" Width - Hydraulic Adjustments	1166#	1307#	\$ 6,197
ADD OPTION NO.	COLOR OPTION (No Option=Buckskin)			
-82	Orange			
	GAUGE WHEEL OPTIONS			
301-225A	Hydraulic Single Gauge Wheels Includes 6" x 21" Laminated Tire, 3" x 8" Cylinder, Hoses & Fittings		190#	\$ 1,927
301-281A	Manual Single Gauge Wheel		190#	\$ 1,557
301-236A	Hydraulic Dual Gauge Wheels Includes 2 ea. 6" x 21" Laminated Tires, 3" x 8" Cylinder, Hoses & Fittings		230#	\$ 2,264
301-282A	Manual Dual Gauge Wheels		230#	\$ 1,892
	ACCESSORIES			
301-235A	96" Cylinder Cushion Valve		11#	\$ 564
301-234A	108" Cylinder Cushion Valve		12#	\$ 564
301-227A	Selector Control Valve-for use with single duplex unit (Will allow operation of 3rd cylinder w/two tractor outlets)		12#	\$ 260
301-147A	Side Plates		56#	\$ 418
301-186A	Skid Shoes - S/N 633881 & below		42#	\$ 268
301-333A	Skid Shoes - S/N 633882 & above		42#	\$ 268

Hydraulic Cushion Valve cushions the shock load to one cylinder by allowing the oil to flow back to the other cylinders.

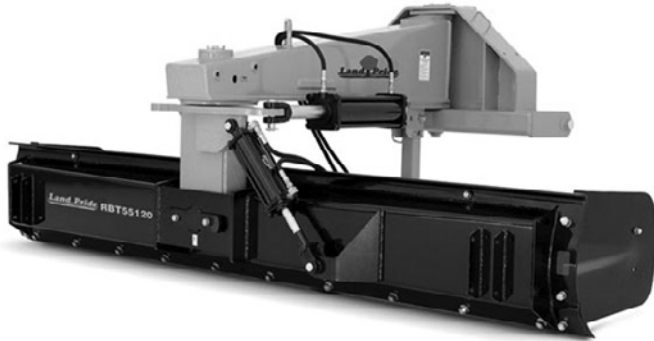
RBT55 Series - 3-Way Hydraulic

RETURN TO INDEX

90-180 HP



Dirtworking



Hitch: Cat. 2 or 3 (Quick Hitch Adaptable)
 Hydraulic Adjustments with Hose
 Blade Angles: 15 Positions; 15, 30 & 45 Degrees Left
 & Right: Forward & Reverse, 4¹/₂ x 16 x 2 Cylinder
 Offset: Up to 33" Left & Right, 4¹/₂ x 16 Cylinder
 Tilt: Up to 30 Degrees, 3 x 8 x 2 Cylinder
 Moldboard: 19" Tall, 5/16" Thick; 1/4" Tapered
 Reinforcement Channel
 Cutting Edge: 1/2" x 6" Heat Treated; Reversible
 Main Frame: Fully Enclosed Welded, Formed Box
 Retractable Parking Stand

YOU MUST ADD 11% SURCHARGE TO PRICES AS OF 8/4/21

MODEL NUMBER	DESCRIPTION	APPROX. MACHINE WEIGHT	SHIPPING WEIGHT	LIST PRICE
RBT55120-011121	55 SERIES REAR BLADE 120" Width - Hydraulic Adjustments	1753#	1885#	\$ 8,458
ADD OPTION NO. -82	COLOR OPTION (No Option=Buckskin) Orange			
	GAUGE WHEEL OPTIONS			
301-149A	Hydraulic Single Gauge Wheel Includes 6" x 21" Laminated Tire, 3" x 8" Cylinder, Hoses & Fittings		190#	\$ 1,927
301-283A	Manual Single Gauge Wheel		190#	\$ 1,557
301-150A	Hydraulic Dual Gauge Wheel Includes 2 ea. 6" x 21" Laminated Tires, 3" x 8" Cylinder, Hoses & Fittings		230#	\$ 2,264
301-284A	Manual Dual Gauge Wheel		230#	\$ 1,892
	ACCESSORIES			
301-110A	Skid Shoes		40#	\$ 375
301-147A	Side Plates		56#	\$ 418
301-148A	Hardened Wear Edge Plates - Pair		10#	\$ 197
300-154A	Double Selector Valve with Stand		37#	\$ 607

Bushings may be needed when used with Cat. 2 Quick-Hitch. Please contact our Parts Dept.

RBT60 Series - 3-Way Hydraulic - Heavy Duty

[RETURN TO INDEX](#)

Max. Tractor HP: 2 Wheel Drive: 10' - 225 HP 12' - 175 HP
 4 Wheel Drive: 10' - 200 HP 12' - 160 HP



Hitch: Cat. 2 or 3 (Quick Hitch Adaptable)
 Hydraulic Adjustments with Hoses
 Hydraulic Hose Storage
 Blade Angles: up to 45 Degrees
 Forward & Reverse
 Offset: Up to 55" Left & Right
 Tilt: Up to 30 Degrees
 Moldboard: 19" Tall, 1/2" Thick w/Reinforcement Channel
 Kingpin: 4 1/2" Solid Steel Bar
 Cutting Edge: 1/2" x 6" Heat Treated
 Main Frame: Fully Enclosed Welded, Formed Box
 Retractable Parking Stand
 Angle Cylinder: 5" x 18"
 Tilt Cylinder: 3 1/2" x 8"
 Offset Cylinder: 5" x 18"
 Overall Length: 6'6"
 Overall Length w/Gauge Wheel: 11'2"

Dirtworking

YOU MUST ADD 11% SURCHARGE TO PRICES AS OF 8/4/21

MODEL NUMBER	DESCRIPTION	APPROX. MACHINE WEIGHT	SHIPPING WEIGHT	LIST PRICE
temporarily suspended RBT6010	60 SERIES REAR BLADE 10' Width - All Hydraulic Adjustments	2260#	2,442#	\$ 11,066
temporarily suspended RBT6012	60 SERIES REAR BLADE 12' Width - All Hydraulic Adjustments	2400#	2,582#	\$ 11,790
ADD OPTION NO.	COLOR OPTION (No Option=Buckskin)			
-82	Orange			
	GAUGE WHEEL OPTIONS			
301-351A	Hydraulic Dual Gauge Wheel Includes 2 ea. 6" x 21" Laminated Tires, 3 1/2" x 8" Cylinder, Hoses & Fittings	200#	200#	\$ 2,414
ACCESSORIES				
301-437A	Skid Shoes - Pair	40#	40#	\$ 389
301-355A	Side Plates	56#	56#	\$ 426

Quick-Hitch cannot be used in conjunction with Gauge Wheel.

YOU MUST ADD 11% SURCHARGE TO PRICES AS OF 8/4/21

PART NUMBER	DESCRIPTION	APPROX. MACHINE WEIGHT	SHIPPING WEIGHT	LIST PRICE
301-012A	Skid Shoes for RB(T)1560, RB(T)1584, RB25, RB35 - S/N 633207 & below, RB1572 S/N 58799 & below	24#	24#	\$ 239
301-138A	Skid Shoes for RB(T)1572 - S/N 58800 to 633207	27#	27#	\$ 239
301-330A	Skid Shoes for RB(T)15, RB16, RB25, RB26, RB35 - S/N 633208 & above	27#	27#	\$ 239
301-333A	Skid Shoes for RB36 & RB37	42#	42#	\$ 268
300-081A	3½" x 8" Hydraulic Cylinder, Hoses & Fittings used for: 35 Series Frame Offsetting 25 & 35 Series Single Gauge Wheel	39#	39#	\$ 530
301-010A**	End Plates for RB25, RB26, RB35, RB37	30#	30#	\$ 185
301-526A	Hydraulic Angle Kit - 16 Series (S/N 985650+)	35#	35#	\$ 339
301-426A	Hydraulic Angle Kit - 26 Series (S/N 985649-)	35#	35#	\$ 339
301-524A	Hydraulic Angle Kit - 26 Series (S/N 985650+)	35#	35#	\$ 339
301-404A	Hydraulic Angle Kit - 37 Series	40#	40#	\$ 408
PART NUMBER <u>15 SERIES LANDSCAPE RAKE ATTACHMENT*</u>				
302-170A	60" Rake Attachment* (for RB15 Rear Blades S/N 32360+)	170#	211#	\$ 772
302-171A	72" Rake Attachment* (for RB15 Rear Blades S/N 32360+)	195#	236#	\$ 916
302-172A	84" Rake Attachment* (for RB15 Rear Blades S/N 32360+)	225#	266#	\$ 1,056
302-173A	96" Rake Attachment* (for RB15 Rear Blades S/N 32360+)	245#	286#	\$ 1,164
<u>25 & 35 RB SERIES LANDSCAPE RAKE ATTACHMENTS</u>				
302-168A	84" Rake Attachment	230#	255#	\$ 1,304
302-169A	96" Rake Attachment	250#	275#	\$ 1,477
<u>26 SERIES LANDSCAPE RAKE ATTACHMENTS</u>				
302-308A	84" Rake Attachment	230#	255#	\$ 1,304
302-309A	96" Rake Attachment	250#	275#	\$ 1,477
<u>36/37 SERIES LANDSCAPE RAKE ATTACHMENTS</u>				
302-310A	84" Rake Attachment	230#	255#	\$ 1,304
302-311A	96" Rake Attachment	250#	275#	\$ 1,477

* Will not fit on 42 option units with serial number 106399 and below.

**Requires hole to be drilled.

LR05 Series Landscape Rakes

RETURN TO INDEX

15-25 HP



Made in USA
 Hitch: Cat. 1
 Teeth: 1/4" x 3/4" High Carbon Spring Steel;
 26 Teeth / 4', 34 Teeth / 5'
 Rake Angles: 5 Forward Positions up to 30 degrees
 Rake Height: 12"
 Teeth Spacing: 1 3/4" Centers
 Parking Stand
 Rear Blade Adaptable

Dirtworking

YOU MUST ADD 11% SURCHARGE TO PRICES AS OF 8/4/21

MODEL NUMBER	DESCRIPTION	APPROX. MACHINE WEIGHT	SHIPPING WEIGHT	LIST PRICE
LR0548	05 SERIES LANDSCAPE RAKE - 48" Width	98#	140#	\$ 833
LR0560	05 SERIES LANDSCAPE RAKE - 60" Width	113#	155#	\$ 926
ADD				
OPTION NO.	COLOR OPTION (No Option=Buckskin)			
-82	Orange			

See pg. 111 for Accessories

LR16 Series Landscape Rakes

20-40 HP



Hitch: Cat. 1
 Teeth: 5/16" x 1" High Carbon Spring Steel;
 30 Teeth / 5', 36 Teeth / 6', 42 Teeth / 7', 48 Teeth / 8'
 Teeth Spacing: 2" Centers
 LR Rake Angles: 7 Positions Up to Max. 45 Degrees
 right or left in 15 degree increments
 Rake Height: 16 1/2"
 Individually Replaceable Teeth
 Rear Blade Adaptable
 Parking Stand
 Fits Land Pride Quick-Hitch

List Price is for Each:
 LR16s Are Packaged 2 Units Per Crate.

YOU MUST ADD 11% SURCHARGE TO PRICES AS OF 8/4/21

MODEL NUMBER	DESCRIPTION	APPROX. MACHINE WEIGHT	SHIPPING WEIGHT	LIST PRICE
LR1660	16 SERIES LANDSCAPE RAKES - 60" Width	241#	281#	\$ 1,099
LR1672	16 SERIES LANDSCAPE RAKES - 72" Width	270#	310#	\$ 1,219
LR1684	16 SERIES LANDSCAPE RAKES - 84" Width	291#	331#	\$ 1,363
LR1696	16 SERIES LANDSCAPE RAKES - 96" Width	316#	356#	\$ 1,493
ADD				
OPTION NO.	COLOR OPTION (No Option=Buckskin)			
-82	Orange			
301-526A	Hydraulic Angle Kit - 16 Series (S/N 985650+)	35#	35#	\$ 339

See pg. 111 for Accessories

LR26 Series Landscape Rakes

RETURN TO INDEX

25-60 HP



Hitch: Cat. 1
 Teeth: $\frac{5}{16}$ " x 1" High Carbon Spring Steel;
 42 Teeth / 7', 48 Teeth / 8'
 Rear Blade Adaptable
 Rake Angles:
 7 Forward Positions Up to 45 Degrees
 Rake Height: $16\frac{1}{2}$ "
 Teeth Spacing: 2" Centers
 Individually Replaceable Teeth
 Parking Stand
 Fits Land Pride Quick-Hitch

Dirtworking

YOU MUST ADD 11% SURCHARGE TO PRICES AS OF 8/4/21

MODEL NUMBER	DESCRIPTION	APPROX. MACHINE WEIGHT	SHIPPING WEIGHT	LIST PRICE
LR2684	26 SERIES LANDSCAPE RAKE - 84" Width	352#	391#	\$ 1,839
LR2696	26 SERIES LANDSCAPE RAKE - 96" Width	377#	416#	\$ 2,025
ADD				
OPTION NO.	COLOR OPTION (No Option=Buckskin)			
-82	Orange			

See pg. 111 for Accessories

LR37 Series Landscape Rakes

30-80 HP



Hitch: Cat. 1 & 2 Combination
 Teeth: $\frac{5}{16}$ " x 1" High Carbon Spring Steel;
 42 Teeth / 7', 48 Teeth / 8'
 Frame Offset: 45 Degree Swing to 26"
 Rear Blade Adaptable
 Rake Angles:
 5 Forward Positions Up to 30 Degrees
 Individually Replaceable Teeth
 Rake Height: $16\frac{1}{2}$ "
 Teeth Spacing: 2" Centers
 Mechanical Offset Adjustment
 Retractable Parking Stand
 Fits Land Pride Quick-Hitch

YOU MUST ADD 11% SURCHARGE TO PRICES AS OF 8/4/21

MODEL NUMBER	DESCRIPTION	APPROX. MACHINE WEIGHT	SHIPPING WEIGHT	LIST PRICE
LR3784	36 SERIES LANDSCAPE RAKES - 84" Width	460#	500#	\$ 2,310
LR3796	36 SERIES LANDSCAPE RAKES - 96" Width	483#	523#	\$ 2,485
ADD				
OPTION NO.	COLOR OPTION (No Option=Buckskin)			
-82	Orange			

See pg. 111 for Accessories

Landscape Rake Accessories

RETURN TO INDEX

Dirtworking

YOU MUST ADD 11% SURCHARGE TO PRICES AS OF 8/4/21

PART NUMBER	DESCRIPTION	APPROX. MACHINE WEIGHT	SHIP-PING WEIGHT	LIST PRICE
302-258A	05 Series Dual Gauge Wheels	49#	49#	\$ 449
302-174A	15, 16, 25, 26, 35, 36, 37 Series Dual Gauge Wheels - 13" x 6.5" x 6"	86#	86#	\$ 607
302-176A	15, 16, 25, 26, 35, 36, 37 Series Dual Gauge Wheels - 13" x 4.1" x 6"	72#	72#	\$ 523
300-014A	25 & 35 Series Single Gauge Wheel - 8" x 4" x 4.8"	55#	55#	\$ 670
302-152A+	LR 60" Flip Down Grader Blade w/End Plates (15, 16, 25 & 35 Series)	88#	88#	\$ 509
302-105A+	LR 72" Flip Down Grader Blade w/End Plates (15, 16, 25 & 35 Series)	130#	130#	\$ 548
302-106A+	LR 84" Flip Down Grader Blade w/End Plates (15, 16, 25, 26, 35, 36 Series)	110#	110#	\$ 572
302-107A+	LR 96" Flip Down Grader Blade w/End Plates (15, 16, 25, 26, 35, 36 Series)	122#	122#	\$ 598
301-526A	Hydraulic Angle Kit - 16 Series (S/N 985650+)	35#	35#	\$ 339
301-524A	26 Series Rake Hydraulic Angling Kit (S/N 985650+)	32#	32#	\$ 339
302-335A	37 Series Rake Hydraulic Angling Kit	45#	45#	\$ 385
302-183A*	25 Series Rake Angling Option (Includes: Mounting Bracket, 2"x8" Cylinder, Hose & Fittings)	41#	41#	\$ 733
300-081A	3 1/2" x 8" Cylinder, Hose & Fittings (For 35 Series Frame Offset & 25/35 Series Sgl Gauge Whl)	39#	39#	\$ 530

+ Must be used with Dual Gauge Wheels or bracket set (302-260A available through Parts Dept. only)

REAR BLADE ATTACHMENTS

301-115A**	15 Series: 60" Blade Assembly	185#	226#	\$ 459
301-116A**	15 Series: 72" Blade Assembly	195#	236#	\$ 564
301-117A**	15 Series: 84" Blade Assembly	220#	261#	\$ 692
301-369S	16 Series: 60" Blade Assembly	209#	250#	\$ 535
301-370S	16 Series: 72" Blade Assembly	229#	269#	\$ 565
301-373S	16 Series: 84" Blade Assembly	251#	292#	\$ 645
301-015A	25 & 35 Series: 72" Blade Assembly	250#	291#	\$ 772
301-017A	25 Series: 84" Blade Assembly	270#	311#	\$ 842
301-019A	25 Series: 96" Blade Assembly	310#	351#	\$ 967
301-378S	26 Series: 72" Blade Assembly	330#	371#	\$ 662
301-379S	26 Series: 84" Blade Assembly	339#	380#	\$ 692
301-380S	26 Series: 96" Blade Assembly	369#	409#	\$ 782
301-241A	35 Series: 84" Blade Assembly	280#	321#	\$ 958
301-240A	35 Series: 96" Blade Assembly	320#	361#	\$ 1,128
301-451S	37 Series: 72" Blade Assembly	340#	381#	\$ 787
301-452S	37 Series: 84" Blade Assembly	376#	407#	\$ 875
301-453S	37 Series: 96" Blade Assembly	413#	444#	\$ 896

**For Landscape Rakes with Serial Numbers 33160 & Above

SF25 Series Scarifiers

25-50 HP



Hitch: Cat. 1
 4" x 4" x 5/16" Tubing
 Shanks: 3/4" x 2 1/2" Heat Treated Spring Steel Shanks
 Heat Treated Dimpled-on Tips
 4 Depth Adjustments
 Rear Hitch with Floating Top Link for Second Implement

YOU MUST ADD 11% SURCHARGE TO PRICES AS OF 8/4/21

MODEL NUMBER	DESCRIPTION	APPROX. MACHINE WEIGHT	SHIPPING WEIGHT	LIST PRICE
SF2566	25 SERIES SCARIFIERS - 66" Width - 6 Shanks	208#	318#	\$ 1,150
SF2577	25 SERIES SCARIFIERS - 77" Width - 7 Shanks	235#	345#	\$ 1,319
ADD OPTION NO.	COLOR OPTION (No Option=Buckskin)			
-82	Orange			

BB05 Series Box Scrapers

RETURN TO INDEX

17-25 HP



Dirtworking



- Hitch: Cat. 0, 1 and 1 Limited
- 4" x 4" Tubing Main Frame
- 3/16" Side Panels
- Two Welded Braces to Rear of Moldboard
- 13⁵/₁₆" High Moldboard
- Heat Treated Spring Steel Shanks
- 3 Position Shank
- Heat Treated Dimpled-on Tips
- 2 ea. 3/8" x 6" High Carbon, Heat Treated Cutting Edges; Reversible & Replaceable
- Reinforced Shank Opening
- Fits Land Pride Quick-Hitch

YOU MUST ADD 11% SURCHARGE TO PRICES AS OF 8/4/21

<u>MODEL NUMBER</u>	<u>DESCRIPTION</u>	<u>APPROX. MACHINE WEIGHT</u>	<u>SHIPPING WEIGHT</u>	<u>LIST PRICE</u>
BB0548	05 SERIES BOX SCRAPER - FIXED BAR - 48" Width - 4 Shanks	281#	331#	\$ 978
BB0554	05 SERIES BOX SCRAPER - FIXED BAR - 54" Width - 4 Shanks	302#	352#	\$ 1,044

**ADDITIONAL SAVINGS
12-PAK STOCKING PROGRAM**

When any combination of 12 BB05 Series Box Scrapers are ordered at one time
DEDUCT \$33 on each unit

Add option No. -99 to Model Number & Deduct \$ (33)

ADD OPTION NUMBER	COLOR OPTIONS (No Option=Buckskin)
-82	Orange

- Packaged in Like Units of 2; Same Size, Same Color

BB12 Series Box Scrapers

RETURN TO INDEX

17-30 HP



Hitch: Cat. 1 Clevis-Type
 4" x 4" Manufactured Shank Tube
³/₁₆" x 16" Side Panels
 Depth: 22"
 Two Welded Braces to Rear of Bucket
 Moldboard - 15 ³/₈" High
 Heat Treated Spring Steel Shanks
³/₄" x 2 ¹/₂" x 15" Shanks, 3 Position
 Reinforced Shank Opening
 Heat Treated Dimpled-on Tips, Replaceable
 2 ea. High Carbon, Heat Treated
 Cutting Edges; Reversible & Replaceable
 Fits Land Pride Quick-Hitch

Dirtworking

YOU MUST ADD 11% SURCHARGE TO PRICES AS OF 8/4/21

---AVAILABLE IN 2 UNIT PRICING ONLY ---

<u>MODEL NUMBER</u>	<u>DESCRIPTION</u>	<u>APPROX. MACHINE WEIGHT</u>	<u>SHIPPING WEIGHT</u>	<u>LIST PRICE</u>
BB1248	12 SERIES BOX SCRAPER - FIXED BAR - 48" Width - 4 Shanks	290#	315#	\$ 768
BB1254	12 SERIES BOX SCRAPER - FIXED BAR - 54" Width - 4 Shanks	333#	357#	\$ 789
BB1260	12 SERIES BOX SCRAPER - FIXED BAR - 60" Width - 4 Shanks	354#	378#	\$ 810
BB1266	12 SERIES BOX SCRAPER - FIXED BAR - 66" Width - 5 Shanks	378#	402#	\$ 936
BB1272	12 SERIES BOX SCRAPER - FIXED BAR - 72" Width - 6 Shanks	402#	426#	\$ 1,063

ADD OPTION

<u>NUMBER</u>	<u>COLOR OPTIONS (No Option=Buckskin)</u>
-82	Orange

- Packaged in Like Units of 2; Same Size, Same Color
- See 12 Series Program for Terms & Discounts

BB15 Series Box Scrapers

RETURN TO INDEX

17-40 HP



- Hitch: Cat. 1
- 4" x 4" Tubing Main Frame
- 5/16" Side Panels
- Two Welded Braces to Rear of Bucket
- Roll-Formed Moldboard - 17" High
- Heat Treated Spring Steel Shanks
- 4 Position Shank
- Heat Treated Dimpled-on Tips
- 2 ea. 1/2" x 6" High Carbon, Heat Treated Cutting Edges; Reversible & Replaceable
- Reinforced Shank Opening
- Fits Land Pride Quick-Hitch

Dirtworking

YOU MUST ADD 11% SURCHARGE TO PRICES AS OF 8/4/21

<u>MODEL NUMBER</u>	<u>DESCRIPTION</u>	<u>APPROX. MACHINE WEIGHT</u>	<u>SHIPPING WEIGHT</u>	<u>LIST PRICE</u>
BB1560	15 SERIES BOX SCRAPER - FIXED BAR - 60" Width - 4 Shanks	428#	485#	\$ 1,273
BB1566	15 SERIES BOX SCRAPER - FIXED BAR - 66" Width - 5 Shanks	404#	461#	\$ 1,394
BB1572	15 SERIES BOX SCRAPER - FIXED BAR - 72" Width - 6 Shanks	504#	561#	\$ 1,508

**ADDITIONAL SAVINGS
12-PAK STOCKING PROGRAM**

When any combination of 12 BB15 Series Box Scrapers are ordered at one time
DEDUCT \$33 on each unit

Add option No. -99 to Model Number & Deduct \$ (33)

<u>ADD OPTION NUMBER</u>	<u>COLOR OPTIONS (No Option=Buckskin)</u>
-82	Orange

- Packaged in Like Units of 2; Same Size, Same Color

BB25 Series Box Scrapers

RETURN TO INDEX

25-55 HP



Dirtworking



- Hitch: Cat. 1
- 4" x 4" Tubing Main Frame
- 3/8" Side Panels
- Two Welded Braces to Rear of Bucket
- Roll-Formed Moldboard - 17" High
- Heat Treated Spring Steel Shanks
- Double Strap Lower Hitches
- 4 Position Shank
- Heat Treated Dimpled-on Tips
- 2 ea. 1/2" x 6" High Carbon, Heat Treated Cutting Edges; Reversible & Replaceable
- Reinforced Shank Opening
- Gusset Between Side Panel and Moldboard
- Fits Land Pride Quick-Hitch

YOU MUST ADD 11% SURCHARGE TO PRICES AS OF 8/4/21

MODEL NUMBER	DESCRIPTION	APPROX. MACHINE WEIGHT	SHIPPING WEIGHT	LIST PRICE
BB2560	25 SERIES BOX SCRAPER - FIXED BAR - 60" Width - 5 Shanks	471#	531#	\$ 1,378
BB2566	25 SERIES BOX SCRAPER - FIXED BAR - 66" Width - 5 Shanks	500#	560#	\$ 1,537
BB2572	25 SERIES BOX SCRAPER - FIXED BAR - 72" Width - 7 Shanks	549#	609#	\$ 1,683
BB2584	25 SERIES BOX SCRAPER - FIXED BAR - 84" Width - 7 Shanks	593#	653#	\$ 1,880
BB2596	25 SERIES BOX SCRAPER - FIXED BAR - 96" Width - 8 Shanks	658#	718#	\$ 2,036

ADDITIONAL SAVINGS
12-PAK STOCKING PROGRAM

When any combination of 12 BB25 Series Box Scrapers are ordered at one time
DEDUCT \$33 on each unit
Add option No. -99 to Model Number & Deduct

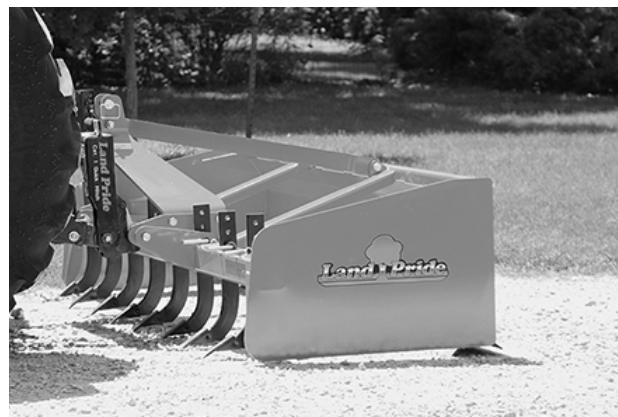
\$ (33)

ADD OPTION NUMBER	COLOR OPTION (No Option=Buckskin)
-82	Orange

BB35 Series Box Scrapers

RETURN TO INDEX

45-120 HP



Hitch: Cat. 1 & 2
 4" x 4" Tubing Main Frame, 3/8" Wall
 23 x 3/8" Side Panels
 Two Welded Channel Braces to Rear of Bucket
 Formed Moldboard - 23" High
 Heat Treated Spring Steel Shanks
 Double Strap Lower Hitches
 4 Position Shank
 Heat Treated Dimpled-on Tips
 2 ea. 1/2" x 6" High Carbon, Heat Treated Cutting Edges; Reversible & Replaceable
 Reinforced Shank Opening
 Gusset Between Side Panel and Moldboard
 Fits Land Pride Quick-Hitch
 Backfill Blade Standard

Dirtworking

YOU MUST ADD 11% SURCHARGE TO PRICES AS OF 8/4/21

MODEL NUMBER	DESCRIPTION	APPROX. MACHINE WEIGHT	SHIPPING WEIGHT	LIST PRICE
BB3578	35 SERIES BOX SCRAPER - FIXED BAR - 78" Width - 7 Shanks	820#	866#	\$ 2,156
BB3584	35 SERIES BOX SCRAPER - FIXED BAR - 84" Width - 7 Shanks	807#	853#	\$ 2,236
BB3596	35 SERIES BOX SCRAPER - FIXED BAR - 96" Width - 8 Shanks	885#	931#	\$ 2,398

ADD OPTION NUMBER	COLOR OPTION (No Option=Buckskin)
-82	Orange

MR15 Series Box Scrapers

RETURN TO INDEX

25-40 HP 4 Wheel Drive • 20-50 HP 2 Wheel Drive



Hitch: Cat. 1, Clevis Type
 Roll-Formed Moldboard - 18¹/₂" High
³/₄" x 2¹/₂" Heat Treated Spring Steel Shanks
 3 Position Shank
 Heat Treated Dimpled-on Tips
 Two ¹/₂" x 6" High Carbon, Heat Treated
 Cutting Edges; Reversible & Replaceable
 Rear Backfill Blade
 End Panels ³/₈"
 4" x 4" Main Beam
 Positive Locking System on Shanks
 Fits Land Pride Quick-Hitch

Dirtworking

YOU MUST ADD 11% SURCHARGE TO PRICES AS OF 8/4/21

MODEL NUMBER	DESCRIPTION	APPROX. MACHINE WEIGHT	SHIPPING WEIGHT	LIST PRICE
MR1572	15 SERIES MECHANICAL RETRACTABLE - 72" Width	585#	672#	\$ 2,187
ADD				
OPTION NO.	COLOR OPTION (No Option=Buckskin)			
-82	Orange			

temporarily suspended

HR25 Series Box Scrapers

[RETURN TO INDEX](#)

30-60 HP 2 Wheel Drive • 30-60 HP 4 Wheel Drive



Hitch: Cat. 1 Clevis-type
 Roll-Formed Moldboard - 20¹/₂" High, Double Thickness
³/₄" x 2¹/₂" Heat Treated Spring Steel Shanks
 Heat Treated Dimpled-on Tips
 Two ¹/₂" x 6" High Carbon, Heat Treated
 Cutting Edges; Reversible & Replaceable
 Rear Backfill Blade
³/₈" End Panels
 Self Locking Down Position
 Cylinder: 2³/₈" x 4" with Hose
 Fits Land Pride Quick-Hitch
 Painted Orange or Black

Dirtworking

YOU MUST ADD 11% SURCHARGE TO PRICES AS OF 8/4/21

MODEL NUMBER	DESCRIPTION	APPROX. MACHINE WEIGHT	SHIPPING WEIGHT	LIST PRICE
HR2572	25 SERIES HYDRAULIC RETRACTABLE - 72" Width	851#	911#	\$ 3,726
ADD OPTION NO.	COLOR OPTION (No Option=Black)			
-82	Orange			

HR35/HRL35 Series Box Scrapers

RETURN TO INDEX

40-120 HP



Hitch: Cat. 1 & 2
 Hardened Bushings in Upper and Lower Hitch and Shank Beam Pivots
 Roll-Formed Moldboard - 23" High Back, 17" Low Back
 3/4" x 2 1/2" Heat Treated Spring Steel Shanks
 3 Position Shank
 Heat Treated Dimpled-on Tips
 Two 1/2" x 6" High Carbon, Heat Treated Cutting Edges; Reversible & Replaceable
 Rear Back Fill Blade: Fixed or Floating
 1/2" End Panels
 Transport Lock on Shank Tube

Dirtworking

YOU MUST ADD 11% SURCHARGE TO PRICES AS OF 8/4/21

MODEL NUMBER	DESCRIPTION	APPROX. MACHINE WEIGHT	SHIPPING WEIGHT	LIST PRICE
HR3584	35 SERIES HYDRAULIC RETRACTABLE - 84" Width - High Back	1119#	1237#	\$ 5,674
HRL3578	35 SERIES HYDRAULIC RETRACTABLE - 78" Width - Low Back	981#	1099#	\$ 5,111
ADD OPTION NUMBER	COLOR OPTION (No Option=Buckskin)			
-82	Orange			

temporarily suspended

GS15 Series Grading Scrapers

[RETURN TO INDEX](#)

48: 20-50 HP; 60/72: 25-50 HP



Hitch: Cat 1, Quick Hitch Compatible
 Working Width: 48", 60" and 72"
 Overall Width: 52", 66", 78"
 Overall Length: 50"
 Side Panel Height: 14⁵/₈"
 Side Panel Length: 44"
 Side Panel Thickness ³/₁₆", w/ 2³/₄" formed edges
 Front Beam: 4" x 4", ⁵/₁₆" wall tubing
 Rear Beam: 2" x 2", ³/₁₆" wall tubing
 Skid Shoes: 3/8" x 3" x 44", Replaceable
 Scarifier Shanks: Heat Treated
 4 ea on 48" and 60"
 5 ea on 72"
 4 position, dimpled on hardened tips
 Cutting Edges: 2 ea, 1/2" x 6" High Carbon,
 Heat Treated, Reversible & Replaceable
 Fits Land Pride Quick Hitch

Dirtworking

YOU MUST ADD 11% SURCHARGE TO PRICES AS OF 8/4/21

MODEL NUMBER	DESCRIPTION	APPROX. MACHINE WEIGHT	SHIPPING WEIGHT	LIST PRICE
GS1548-01	GRADING SCRAPER - 48" Width - 4 Shanks	437#	570#	\$ 1,464
	Less shanks - delete -01 from Model No. and Deduct	-44#	-46#	\$ -90
-10	Rear Facing Blade, Set of 2 (303-367A)	62#	62#	\$ 179
GS1560-01	GRADING SCRAPER - 60" Width - 4 Shanks	525#	600#	\$ 1,638
	Less shanks - delete -01 from Model No. and Deduct	-44#	-46#	\$ -90
-10	Rear Facing Blade, Set of 2 (303-368A)	78#	78#	\$ 234
GS1572-01	GRADING SCRAPER - 72" Width - 5 Shanks	594#	682#	\$ 1,868
	Less shanks - delete -01 from Model No. and Deduct	-55#	-58#	\$ -109
-10	Rear Facing Blade, Set of 2 (303-369A)	98#	98#	\$ 280
ADD OPTION NO.	COLOR OPTION (No Option=Buckskin)			
-82	Orange			

GS25 Series Grading Scrapers

RETURN TO INDEX

40 - 90 HP



Hitch: Cat 1 & 2, Quick Hitch Compatible
 Working Width: 72", 84" and 96"
 Overall Width: 6'6", 7'6", 8'6"
 Overall Length: 56"
 Side Panel Height: 14⁵/₈"
 Side Panel Length: 50"
 Side Panel Thickness 1/4", w/ 2³/₄" Formed Edges
 Front Beam: 4" x 4", 5/16" Wall Tubing
 Rear Beam: 3" x 3", 3/16" Wall Tubing
 Skid Shoes: 3/8" x 3", Replaceable
 Scarifier Shanks: Heat Treated
 6 ea on 72"
 7 ea on 84"
 8 ea on 96"
 4 Position, Dimpled on Hardened Tips
 Cutting Edges: 2 ea, 1/2" x 6" High Carbon, Heat Treated, Reversible & Replaceable
 Fits Land Pride Quick Hitch

Dirtworking

YOU MUST ADD 11% SURCHARGE TO PRICES AS OF 8/4/21

MODEL NUMBER	DESCRIPTION	APPROX. MACHINE WEIGHT	SHIPPING WEIGHT	LIST PRICE
GS2572-01	GRADING SCRAPER - 72" Width - 6 Shanks	728#	839#	\$ 2,511
	Less shanks - delete -01 from Model No. and Deduct	-66#	-66#	\$ -134
-10	Rear Facing Blades, Set of 2 (303-369A)	98#	98#	\$ 280
GS2584-01	GRADING SCRAPER - 84" Width - 7 Shanks	821#	919#	\$ 2,701
	Less shanks - delete -01 from Model No. and Deduct	-77#	-81#	\$ -157
-10	Rear Facing Blades, Set of 2 (303-370A)	110#	110#	\$ 316
GS2596-01	GRADING SCRAPER - 96" Width - 8 Shanks	889#	974#	\$ 2,891
	Less shanks - delete -01 from Model No. and Deduct	-88#	-92#	\$ -179
-10	Rear Facing Blades, Set of 2 (303-371A)	124#	124#	\$ 357
ADD OPTION NO.	COLOR OPTION (No Option=Buckskin)			
-82	Orange			

BB45 Series Drag Scrapers

RETURN TO INDEX

70-130 HP

Dirtworking



Hitch: Pull-type
 Clevis: Swivel Ball, Clevis, Swivel Clevis
 Tongue: Removable
 Capacity: 96" - 1 ³/₄ cu. yd.
 10' - 2 ¹/₄ cu.yd.
 12' - 2 ³/₄ cu.yd.
 Dump Clearance: 21"
 End Plates: ³/₈"
 Moldboard: ¹/₄"
 Cutting Edge: ¹/₂" x 6"
 Axle: Fixed or Tilt
 Tilt Cylinder: 3" x 8"
 3 ¹/₂ Degrees, Approx. 8"
 Tires: 15" Implement Recap
 Rim: 5 Bolt, 4.5"
 Weight Tray: Optional - Holds 760 lbs. of Concrete
 Lights Standard on 12'; Optional on 96" & 10'

YOU MUST ADD 11% SURCHARGE TO PRICES AS OF 8/4/21

MODEL NUMBER	DESCRIPTION	APPROX. MACHINE WEIGHT	SHIPPING WEIGHT	LIST PRICE
BB4596	45 SERIES - 96" DRAG SCRAPER	890#	900#	\$ 3,064
BB4510	45 SERIES - 10' DRAG SCRAPER	1,010#	1,020#	\$ 3,496
BB4512	45 SERIES - 12' DRAG SCRAPER	1,130#	1,140#	\$ 4,204
ADD OPTION NO.				
<u>YOU MUST CHOOSE AN AXLE</u>				
-01	Standard Axle	351#	384#	\$ 1,271
-02	Tilt Axle	411#	411#	\$ 1,980
<u>YOU MAY CHOOSE THE WEIGHT TRAY</u>				
-11	Weight Tray	130#	130#	\$ 214
<u>YOU MUST CHOOSE A HITCH SELECTION</u>				
-70	Clevis Hitch	34#	34#	\$ 214
-71	Swivel Ball Hitch	22#	22#	\$ 214
-72	Swivel Clevis Hitch (swivels left & right)	34#	34#	\$ 424
ADD OPTION NO.				
<u>COLOR OPTION (No Option=Buckskin)</u>				
-82	Orange			
<u>YOU MAY CHOOSE A LIGHT KIT - BB4596 and BB4510 ONLY</u>				
-20	Magnetic Light Kit w/Wiring Harness (306-164A)	10#	10#	\$ 400

CA05 Series Core Aerators

RETURN TO INDEX

Dirtworking

Pull-Type



Hitch: Pull-Type
 Overall Width w/Wheels: Working Width:
 40" = 50" 36"
 48" = 58" 44"
 56" = 66" 52"
 Overall Length: 38⁷/₈" (48" w/wheels)
 Frame: 2¹/₂" x 2¹/₂" x 3³/₁₆"
 No. of Spoons: 40": 40, 48": 48, 56": 56
 Spoon Material: 16 Ga. Hardened Steel
 Spoon Spacing (forward travel): 8.5"
 *Spoon Penetration: 3"
 Gang Spacing: 8"
 Independent Gangs, greasable
 2 Transport Wheels

* Depending on ground conditions and added weight

YOU MUST ADD 11% SURCHARGE TO PRICES AS OF 8/4/21

	MODEL NUMBER	DESCRIPTION	APPROX. MACHINE WEIGHT	SHIPPING WEIGHT	LIST PRICE
temporarily suspended	CA0540-01	05 SERIES CORE AERATOR - 40" Width With transport wheels	102#	107#	\$ 757
temporarily suspended	CA0548-01	05 SERIES CORE AERATOR - 48" Width With transport wheels	116#	121#	\$ 898
temporarily suspended	CA0556-01	05 SERIES CORE AERATOR - 56" Width With transport wheels	126#	131#	\$ 990

ADD OPTION NO. **COLOR OPTION (No Option=Bucksin)**
 -82 Orange

**This product ships unassembled in:
 2 Cardboard boxes**

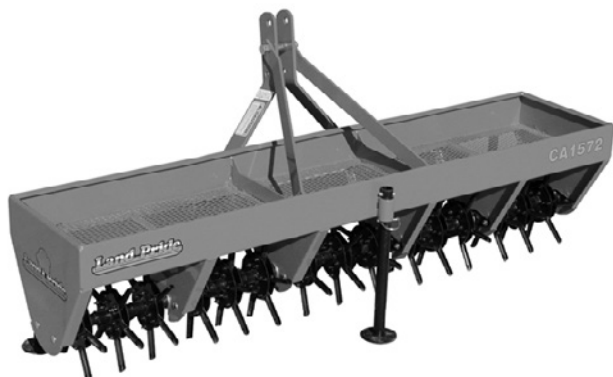
CA15 Series Core Aerators

[RETURN TO INDEX](#)

CAT. 0, 1, 1 LTD.



Dirtworking



Hitch: Cat. 0, 1, 1 Ltd.

Overall Width:	Working Width:
48" = 48"	41"
56" = 56"	50"
64" = 64"	58"
72" = 72"	66"

No. of Spoons: 48": 54, 56": 66", 64": 78, 72": 90
 Spoon Material: 16 Ga. Hardened Steel
 Spoon Spacing (forward travel): 6"
 *Spoon Penetration: 3" - 4 1/2"
 Gang Spacing: 4 1/2"
 Independent Gangs
 Three Corner Support Stands
 Fits Land Pride Quick Hitch

* Depending on ground conditions and added weight

YOU MUST ADD 11% SURCHARGE TO PRICES AS OF 8/4/21

	MODEL NUMBER	DESCRIPTION	APPROX. MACHINE WEIGHT	SHIPPING WEIGHT	LIST PRICE
temporarily suspended	CA1548	15 SERIES CORE AERATOR - 48" Width	156#	223#	\$ 1,631
temporarily suspended	CA1556	15 SERIES CORE AERATOR - 56" Width	170#	237#	\$ 1,814
temporarily suspended	CA1564	15 SERIES CORE AERATOR - 64" Width	184#	251#	\$ 2,013
temporarily suspended	CA1572	15 SERIES CORE AERATOR - 72" Width	208#	275#	\$ 2,240
ADD	OPTION NO.	COLOR OPTION (No Option=Buckskin)			
	-82	Orange			

CA25 Series Core Aerators

RETURN TO INDEX

CAT. 1



Hitch: Cat. 1
 Working Width: 60", 72"
 Overall Width:
 60" = 67"
 72" = 78"
 Frame Tubing: 2 1/2" x 2 1/2" x 3/16"
 No. of Spoons: 60" & 72": 96
 Spoon Material: 3/4" Hardened Steel
 Spoon Spacing (forward travel): 7"
 *Spoon Penetration: 4 1/2"
 Gang Spacing: 60" = 5 1/2" & 72" = 6 1/2"
 Independent Gangs
 Four Corner Support Stands
 Fits Land Pride Quick Hitch

Dirtworking

* Depending on ground conditions and added weight

YOU MUST ADD 11% SURCHARGE TO PRICES AS OF 8/4/21

MODEL NUMBER	DESCRIPTION	APPROX. MACHINE WEIGHT	SHIPPING WEIGHT	LIST PRICE
temporarily suspended CA2560	25 SERIES CORE AERATOR - 60" Width	464#	530#	\$ 3,841
temporarily suspended CA2572	25 SERIES CORE AERATOR - 72" Width	480#	546#	\$ 4,311
ADD OPTION NO.	LIQUID WEIGHT TANK OPTION			
-01	Two Liquid Weight Tanks for CA2560 Adds up to 490 lbs. of weight (325-026A)	25#	30#	\$ 411
-01	Two Liquid Weight Tanks for CA2572 Adds up to 600 lbs. of weight (325-025A)	30#	35#	\$ 411
ADD OPTION NO.	COLOR OPTION (No Option=Buckskin)			
-82	Orange			

CR25 Series Straw Crimpers

RETURN TO INDEX

CAT. 1



Dirtworking



Hitch: Cat. 1
 Working Width: 69"
 Overall Width: 80"
 Height: 41"
 Length: 26"
 Number of Discs: 12
 4 Bolt Cast Iron Hubs
 Disc Spacing: 6 1/2"
 Four Corner Support Stands
 Fits Land Pride Quick Hitch

YOU MUST ADD 11% SURCHARGE TO PRICES AS OF 8/4/21

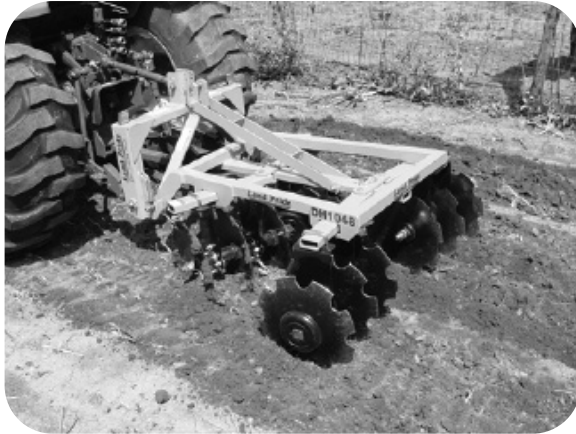
temporarily suspended

MODEL NUMBER	DESCRIPTION	APPROX. MACHINE WEIGHT	SHIPPING WEIGHT	LIST PRICE
CR2572	25 SERIES STRAW CRIMPER - 72" Width	475#	542#	\$ 3,342
ADD OPTION NUMBER	LIQUID WEIGHT TANK OPTION			
-01	Two Liquid Weight Tanks for CR2572 Adds up to 600 lbs. of weight (325-025A)	30#	35#	\$ 411
ADD OPTION NO.	COLOR OPTION (No Option=Buckskin)			
-82	Orange			

DH10 Series Disc Harrows

RETURN TO INDEX

Up to 40 HP



Cat. 1 Hitch
 Cutting Widths: 48" & 60"
 No. of Blades: 48" - 12
 60" - 16
 Blade Size: 48": 16" Diameter
 60": 16" or 18" Diameter
 Blade Types: Notched or Smooth
 Frame Tube: 2" Square
 Blade Spacing: 7 1/2"
 Bearing Hanger: 3/8" Plate, with 5/8" U-bolt
 Bearing Type: Self Aligning, Sealed,
 Ball Bearings
 Gang Tube: 3" x 1 1/2"
 Gang Axle: 1" Square, High Carbon Steel
 Angling: Front Gang: 0, 7, 14 & 21 Degrees
 Rear Gang: 0, 7, 14 & 21 Degrees
 Fits Land Pride Quick-Hitch

Dirtworking

YOU MUST ADD 11% SURCHARGE TO PRICES AS OF 8/4/21

MODEL NUMBER	DESCRIPTION	APPROX. MACHINE WEIGHT	SHIPPING WEIGHT	LIST PRICE
DH1048-01	10 SERIES DISC HARROW - 48" Width Front and Rear Notched Discs - 16"	420#	480#	\$ 1,696
DH1048-02	10 SERIES DISC HARROW - 48" Width Front Notched and Rear Smooth Discs - 16"	420#	480#	\$ 1,696
DH1060-01	10 SERIES DISC HARROW - 60" Width Front and Rear Notched Discs - 16"	533#	593#	\$ 1,886
DH1060-02	10 SERIES DISC HARROW - 60" Width Front Notched and Rear Smooth Discs - 16"	533#	593#	\$ 1,886
DH1060-03	10 SERIES DISC HARROW - 60" Width Front and Rear Notched Discs - 18"	549#	609#	\$ 2,004
DH1060-04	10 SERIES DISC HARROW - 60" Width Front Notched and Rear Smooth Discs - 18"	549#	609#	\$ 2,004
ADD OPTION NO.	COLOR OPTION (No Option=Buckskin)			
-82	Orange			
	SEEDING OPTION			
-40	Seeding Package (322-156A) Includes: Spin Spreader, Mounting Hardware to Disc Harrow, Hitch for Pulling a Drag Harrow and/or a Seed Bed Roller		63#	\$ 921

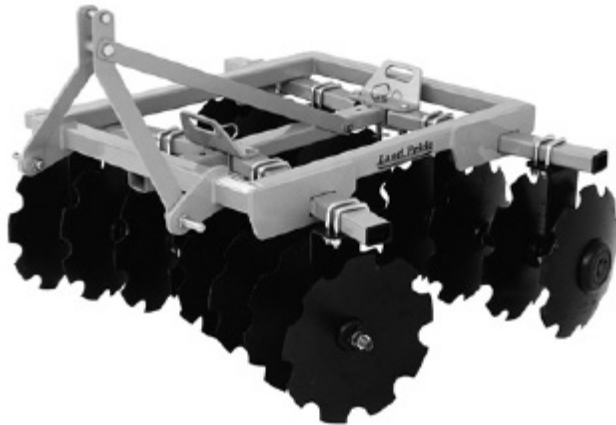
See Seed Bed Roller page 128

See Drag Harrows page 98

15 Series Disc Harrows

RETURN TO INDEX

Up to 65 HP



Cat. 1 Hitch
 Cutting Widths: 60", 72", 90"
 No. of Blades: DH1560: 16,
 DH1572: 20, DH1590: 24
 Blade Size: 18" Diameter
 Blade Types: Notched or Smooth
 Frame Tube: 2 1/2" Square
 Blade Spacing: 7 1/2"
 Bearing Hanger: 3/8" Plate,
 2 each 5/8" U-bolts
 Bearing Type: Self Aligning, Sealed,
 Ball Bearings
 Gang Tube: 3" x 2"
 Gang Axle: 1" Square, High Carbon Steel
 Angling: Disc Gang: 0, 7, 14 & 21 Degrees
 With Angling Adjustment Handle
 Fits Land Pride Quick-Hitch

Dirtworking

YOU MUST ADD 11% SURCHARGE TO PRICES AS OF 8/4/21

MODEL NUMBER	DESCRIPTION	APPROX. MACHINE WEIGHT	SHIPPING WEIGHT	LIST PRICE
DH1560-01	15 SERIES DISC HARROW - 5'2" Width Front and Rear Notched Discs	628#	716#	\$ 2,346
DH1560-02	15 SERIES DISC HARROW - 5'2" Width Front Notched and Rear Smooth Discs	634#	722#	\$ 2,367
ADD -11	Disc Scrapers on DH1560 (322-040A)	67#	67#	\$ 504
DH1572-01	15 SERIES DISC HARROW - 6'4" Width Front and Rear Notched Discs	714#	802#	\$ 2,563
DH1572-02	15 SERIES DISC HARROW - 6'4" Width Front Notched and Rear Smooth Discs	719#	807#	\$ 2,583
ADD -11	Disc Scrapers on DH1572 (322-041A)	86#	86#	\$ 607
DH1590-01	15 SERIES DISC HARROW - 90" Width Front and Rear Notched Discs	865#	953#	\$ 3,227
temporarily suspended DH1590-02	15 SERIES DISC HARROW - 90" Width Front Notched and Rear Smooth Discs	865#	953#	\$ 3,253
ADD -11	Disc Scrapers on DH1590 (322-278A)	100#	100#	\$ 707
OPTION NO.	CENTER SWEEP OPTION			
-20	9" Center Sweep Kit (322-058A) Fits all 15 Series	22#	22#	\$ 154
	921			
	COLOR OPTION (No Option=Buckskin)			
-82	Orange			
	SEEDING OPTION			
-40	Seeding Package (322-156A) Includes: Spin Spreader, Mounting Hardware to Disc Harrow, Hitch for Pulling a Drag Harrow and/or a Seed Bed Roller		63#	\$ 921

See SBR page 129

See Drag Harrows page 129

DH25 Series Disc Harrows

RETURN TO INDEX

40-100 HP



Hitch: Cat. 1 & 2
 Quick-Hitch Compatible
 Cutting Width: 72", 96"
 No. of Blades: 20, 24
 Blade Size: 20" or 22" Diameter
 Blade Types: Front & Rear Notched,
 Smooth Rear
 Frame Tube: 3" Square
 Blade Spacing: 7 1/2"
 Bearing Hanger: 1/2" Plate,
 2 each 5/8" U-bolts
 Bearing Type: Self Aligning, Sealed,
 Ball Bearings
 Gang Tube: 4" x 3"
 Gang Axle: 1 1/8" Square, High Carbon Steel
 Angling: Front gang: 0, 7, 14 & 21 Degrees
 Rear Gang: 7, 14 & 21 Degrees
 With Angling Adjustment Handle
 Optional Disc Scrapers
 Optional 9" Center Sweep
 Fits Land Pride Quick-Hitch

Dirtworking

YOU MUST ADD 11% SURCHARGE TO PRICES AS OF 8/4/21

MODEL NUMBER	DESCRIPTION	APPROX. MACHINE WEIGHT	SHIPPING WEIGHT	LIST PRICE
DH2572-70	25 SERIES DISC HARROW - 72" Width Front and Rear 20" Notched Discs	947#	1365#	\$ 4,131
DH2572-72	25 SERIES DISC HARROW - 72" Width Front and Rear 22" Notched Discs	1037#	1440#	\$ 4,442
DH2596-70	25 SERIES DISC HARROW - 96" Width Front and Rear 20" Notched Discs	1143#	1561#	\$ 4,754
DH2596-72	25 SERIES DISC HARROW - 96" Width Front and Rear 22" Notched Discs	1254#	1657#	\$ 5,062
DH2596-73	25 SERIES DISC HARROW - 96" Width 22" Front Notched, Rear Smooth Discs	1257#	1660#	\$ 5,115
OPTION NO.	DISC SCRAPER OPTION			
-11	Disc Scrapers for DH2572 (322-083A)		92#	\$ 669
-11	Disc Scrapers for DH2596 (322-035A)		106#	\$ 774
	CENTER SWEEP OPTION			
-20	9" Center Sweep Kit (322-059A) Fits 72" and 96"	19#	19#	\$ 154
	COLOR OPTION (No Option=Buckskin)			
-82	Orange			
	SEEDING OPTION			
-40	Seeding Package (322-156A) Includes: Spin Spreader, Mounting Hardware to Disc Harrow, Hitch for Pulling a Drag Harrow and/or a Seed Bed Roller		63#	\$ 921

See Seed Bed Roller page 130

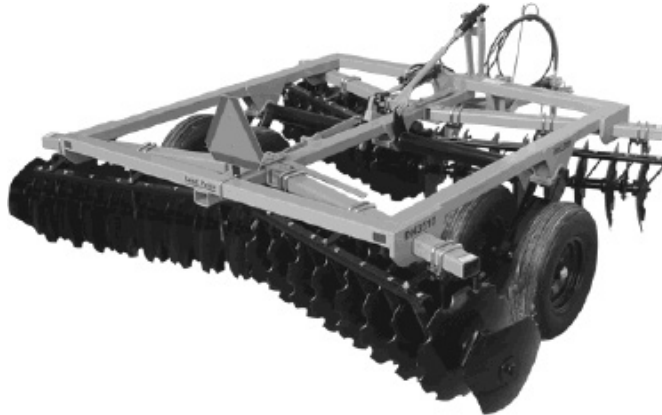
See Drag Harrows page 130

DH35 Series - Pull-Type Disc Harrows

RETURN TO INDEX

45-100 HP

Dirtworking



Hitch: Pull-type w/clevis
 Cutting Width: 10'6"
 Transport Width: 10'10" base unit
 Transport Tires: Two 9.5L x 15 tires
 Blade Size: 20" or 22"
 Blade Types: Notched or Smooth
 Disc Spacing: 7½" or 9"
 Front Gang Angle: 15, 18 or 21 degrees
 Rear Gang Angle: 12, 15 or 18 degrees
 Front to Rear Leveling: Manual crank
 Depth Control: 3" x 8" Hydraulic cylinder w/150" hose & fittings
 Hitch Frame Construction: 3" x 3" x ¼" wall tubing
 Gang Beam Construction: 3" x 5" x ¼" wall tubing
 Disc Bearings: Greasable & Triple Sealed Ball Bearings

YOU MUST ADD 11% SURCHARGE TO PRICES AS OF 8/4/21

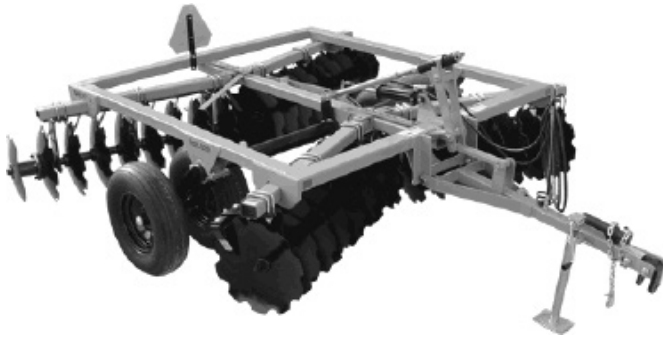
MODEL NUMBER	DESCRIPTION	APPROX. MACHINE WEIGHT	SHIPPING WEIGHT	LIST PRICE
DH3510	35 SERIES DISC HARROW - 10' Width	1197#	1297#	\$ 7,696
	<u>FRONT GANG OPTION</u>			
-01	20" Notched Discs - 7½" spacing	647#	847#	\$ 1,712
-02	20" Notched Discs - 9" spacing	618#	818#	\$ 1,648
-05	22" Notched Discs - 7½" spacing	721#	921#	\$ 2,173
-06	22" Notched Discs - 9" spacing	683#	883#	\$ 2,058
	<u>REAR GANG OPTION</u>			
-09	20" Notched Discs - 7½" spacing	647#	847#	\$ 1,712
-10	20" Notched Discs - 9" spacing	618#	818#	\$ 1,648
-11	20" Smooth Discs - 7½" spacing	663#	863#	\$ 1,712
-12	20" Smooth Discs - 9" spacing	632#	832#	\$ 1,648
-13	22" Notched Discs - 7½" spacing	721#	921#	\$ 2,173
-14	22" Notched Discs - 9" spacing	683#	883#	\$ 2,058
-15	22" Smooth Discs - 7½" spacing	721#	921#	\$ 2,173
-16	22" Smooth Discs - 9" spacing	701#	901#	\$ 2,058
	<u>ADDITIONAL OPTIONS</u>			
-20	Dual Gauge Wheel Transport (322-235A)	105#	145#	\$ 865
-30	18" Furrow Filler, Pair with Light Kit (322-370A)	64#	75#	\$ 721
-31	20" Furrow Filler, Pair with Light Kit (322-371A)	71#	82#	\$ 721
-40	Disc Scrapers - 7½" spacing, front and rear (includes 2 Furrow Filler Scrapers) (322-173A)	154#	174#	\$ 865
-41	Disc Scrapers - 9" spacing and 7½" spacing (includes 2 Furrow Filler Scrapers) (322-174A)	148#	168#	\$ 826
-42	Disc Scrapers - 9" spacing, front and rear (includes 2 Furrow Filler Scrapers) (322-283A)	148#	168#	\$ 783
-50	Tongue Jack (890-118C)	10#	10#	\$ 90
-60	Center Sweep (322-059A)	19#	19#	\$ 154
-70	SMV Kit (322-226S)	4#	4#	\$ 52
ADD				
<u>OPTION NO.</u>	<u>COLOR OPTION (No Option=Buckskin)</u>			
-82	Orange			

temporarily suspended

DH35 Series - Pull-Type Disc Harrows

RETURN TO INDEX

55-100 HP



Hitch: Pull-type w/Clevis
 Cutting Width: 12'
 Transport Width: 12' 4" Base Unit
 Transport Tires: Two 9.5L x 15 Tires
 Blade Size: 20" or 22"
 Blade Types: Notched or Smooth
 Disc Spacing: 7½" or 9"
 Front Gang Angle: 15, 18 or 21 Degrees
 Rear Gang Angle: 12, 15 or 18 Degrees
 Front to Rear Leveling: Manual Crank
 Depth Control: 3" x 8" Hydraulic Cylinder w/150" Hose & Fittings
 Hitch Frame Construction: 3" x 3" x ¼" Wall Tubing
 Gang Beam Construction: 3" x 5" x ¼" Wall Tubing
 Disc Bearings: Greasable & Triple Sealed Ball Bearings

Dirtworking

YOU MUST ADD 11% SURCHARGE TO PRICES AS OF 8/4/21

MODEL NUMBER	DESCRIPTION	APPROX. MACHINE WEIGHT	SHIPPING WEIGHT	LIST PRICE
DH3512	35 SERIES DISC HARROW – 12' Width	1197#	1297#	\$ 9,274
	FRONT GANG OPTION			
- 01	20" Notched Discs – 7½" spacing	775#	975#	\$ 1,877
- 02	20" Notched Discs – 9" spacing	695#	895#	\$ 1,814
- 05	22" Notched Discs – 7½" spacing	849#	1049#	\$ 2,340
- 06	22" Notched Discs – 9" spacing	760#	960#	\$ 2,224
	REAR GANG OPTION			
-09	20" Notched Discs – 7½" spacing	775#	975#	\$ 1,877
-10	20" Notched Discs – 9" spacing	695#	895#	\$ 1,814
-11	20" Smooth Discs – 7½" spacing	784#	984#	\$ 1,877
-12	20" Smooth Discs – 9" spacing	702#	902#	\$ 1,814
-13	22" Notched Discs – 7½" spacing	849#	1049#	\$ 2,340
-14	22" Notched Discs – 9" spacing	760#	960#	\$ 2,224
-15	22" Smooth Discs – 7½" spacing	869#	1069#	\$ 2,340
-16	22" Smooth Discs – 9" spacing	778#	978#	\$ 2,224
	ADDITIONAL OPTIONS			
-20	Dual Gauge Wheel Transport (322-235A)	105#	145#	\$ 865
-30	18" Furrow Filler, Pair (322-248A)	64#	75#	\$ 452
-31	20" Furrow Filler, Pair (322-249A)	71#	82#	\$ 495
-40	Disc Scrapers – 7½" spacing, front and rear (322-175A) (includes 2 Furrow Filler Scrapers)	154#	174#	\$ 865
-41	Disc Scrapers – 9" spacing and 7½" spacing (322-176A) (includes 2 Furrow Filler Scrapers)	148#	168#	\$ 826
-42	Disc Scrapers - 9" spacing, front and rear (322-284A) (includes 2 Furrow Filler Scrapers)	148#	168#	\$ 783
-50	Tongue Jack (890-118C)	10#	10#	\$ 90
-60	Center Sweep (322-059A)	19#	19#	\$ 154
-70	SMV Kit (322-226S)	4#	4#	\$ 52
ADD OPTION NO.	COLOR OPTION (No Option=Buckskin)			
-82	Orange			

temporarily suspended

DH7100 Series - Pull-Type Disc Harrow

RETURN TO INDEX

70-135 HP



Transport Width: 11', 13' and 16'
 Tillage Width: 10'4", 11'9", 14'7"
 Fixed Gang Angle: 20° front, 18° rear
 1-3/4" Gang Shaft
 Peer Double Triple-Lip Seal, Maint.-Free Gang Bearings

Row Spacing: 7.5" or 9"
 Disc Blades: Smooth 22" x .197"
 Smooth 22" x .256"
 Smooth 24" x .256"
 Break-away Furrow Filler Blades
 Fixed Scrapers
 Ductile Cast Spools
 Spring C-Shank Bearing Hangers
 4" x 6" Gang Bars
 Single Point Depth Control
 Manual Leveling fore and aft
 Maintenance Free Lift Axles
 Maintenance Free Hinge Points
 Radial Transport Tires
 Dual Tires on 15' Models

Only available in orange

Dirtworking

YOU MUST ADD 11% SURCHARGE TO PRICES AS OF 8/4/21

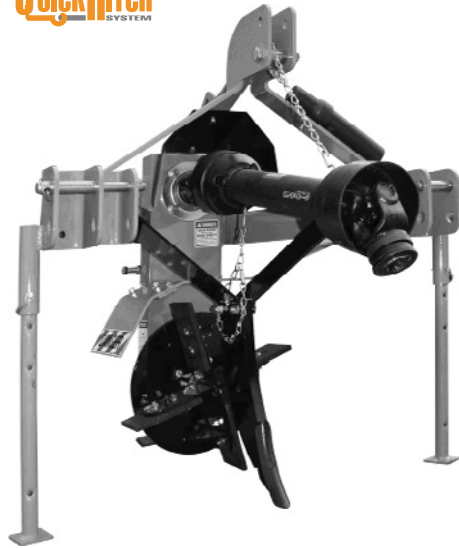
MODEL NUMBER	DESCRIPTION	APPROX. MACHINE WEIGHT	SHIPPING WEIGHT	LIST PRICE
DH711082	10' 7100 Series Disc Harrow 70-90 HP Required			\$ 12,168
	<u>You MUST choose a disc blade option</u>			
-01	24" x .197", 9" Spacing			\$ 9,718
-02	24" x .256", 9" Spacing			\$ 10,622
-04	22" x .256", 9" Spacing			\$ 9,734
-05	22" x .197", 7.5" Spacing			\$ 9,940
	<u>You MAY add a finishing reel</u>			
-42	10' Finishing Reel			\$ 3,499
DH711282	12' 7100 Series Disc Harrow 84-108 HP Required			\$ 12,168
	<u>You MUST choose a disc blade option</u>			
-01	24" x .197", 9" Spacing			\$ 10,806
-02	24" x .256", 9" Spacing			\$ 11,822
-04	22" x .256", 9" Spacing			\$ 10,437
-05	22" x .197", 7.5" Spacing			\$ 11,671
	<u>You MAY add a finishing reel</u>			
-42	12' Finishing Reel			\$ 4,115
DH711582	15' 7100 Series Disc Harrow 105-135 HP Required			\$ 13,639
	<u>You MUST choose a disc blade option</u>			
-01	24" x .197", 9" Spacing			\$ 12,861
-02	24" x .256", 9" Spacing			\$ 14,077
-04	22" x .256", 9" Spacing			\$ 12,752
-05	22" x .197", 7.5" Spacing			\$ 13,618
	<u>You MAY add a finishing reel</u>			
-42	15' Finishing Reel			\$ 4,316

Sold under Land Pride's Non-Contract Ag Stocking Program
 Dealer Must pay freight, customer pickup available, unassembled
 ** Allow 16 hours for assembly

DT35 Series Ditchers

RETURN TO INDEX

30-60 HP



Cat. 1 & 2, QH Adaptable
 Impeller: 16" & 18", 4 Blades with Replaceable Hardened Cutting Edges
 80 Chain with Positive Tensioner Bolt
 Input/Output Shafts: 2", with Ball Type Bearings
 Driveline: Cat. 4 with Shearbolt
 Material Control Chute: Manual
 Standard Ripper Shank
 Parking Stands: 2
 Depth Controlling Skid Shoe: Replaceable, 3/8" Thick

Dirtworking

YOU MUST ADD 11% SURCHARGE TO PRICES AS OF 8/4/21

MODEL NUMBER	BASE UNIT	APPROX. MACHINE WEIGHT	SHIPPING WEIGHT	LIST PRICE
DT35	35 SERIES POWERED DITCHER - 540 RPM 1 3/8" 6 Spline	396#	425#	\$ 5,554
	COLOR (No Option=Buckskin)			
-82	Orange			

temporarily suspended

DT55 Series Ditchers

RETURN TO INDEX

60-150 HP



Dirtworking

Cat. 2 & 3, QH Adaptable
 Impeller: 20", 6 Blades with Replaceable
 Hardened Cutting Edges
 Double 80 Chain with Positive Tensioner Bolt
 Input/Output Shafts: 2-1/4", with Ball Type Bearings
 Driveline: Cat. 5 with Shear Bolt

OPTIONAL EQUIPMENT

Material Control Chute: Manual or Hydraulic
 Depth Control Wheel: 16.5 x 6.50-8 Pneumatic Tire
 with 10" Adjustment
 Deep Ripper Shank: 3 Adjustments to 5" Below
 Cutting Level, Spring Tine Tip
 Depth Controlling Skid Shoe: Replaceable, 3/8" Thick

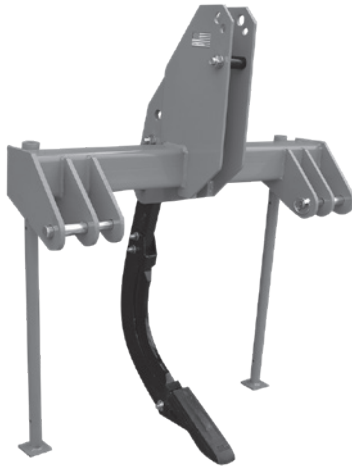
YOU MUST ADD 11% SURCHARGE TO PRICES AS OF 8/4/21

<u>MODEL NUMBER</u>	<u>BASE UNIT</u>	<u>APPROX. MACHINE WEIGHT</u>	<u>SHIPPING WEIGHT</u>	<u>LIST PRICE</u>
DT55	55 SERIES POWERED DITCHER - 540 RPM 1 ³ / ₈ " 6 Spline	900#	950#	\$ 6,087
DTM55	55 SERIES POWERED DITCHER - 1000 RPM (You must choose a driveline below)	850#	900#	\$ 5,262
	<u>Driveline Option for DTM only</u>			
-31	Cat. 5 Shear Bolt - 1 ³ / ₈ " - 21 Spline	50#	50#	\$ 826
-32	Cat. 5 Shear Bolt - 1 ³ / ₄ " - 21 Spline	50#	50#	\$ 826
ADD OPTION NUMBER	<u>OPTIONAL EQUIPMENT</u>			
-12	Depth Controlling Gauge Wheel (324-050A)	40#	40#	\$ 315
-21	Ripper Shank with Toolbar (324-046A)	157#	157#	\$ 659
-41	Material Chute - Ratchet Adjustment (324-070A)	114#	114#	\$ 424
-42	Material Chute - Hydraulic Adjustment (324-071A)	115#	115#	\$ 564
-51	Skid Shoe (324-056A)	31#	31#	\$ 135
	<u>COLOR (No Option=Buckskin)</u>			
-82	Orange			

RS15 Ripper Shank

RETURN TO INDEX

35-80 HP



Cat. 1 & 2
 Quick Hitch Compatible
 Single Ripper Shank with Shear Bolt Protection
 Replaceable Tip
 Parking Stands
 Available only in ORANGE

2 PAKS LIKE UNITS ONLY

Dirtworking

YOU MUST ADD 11% SURCHARGE TO PRICES AS OF 8/4/21

MODEL NUMBER	BASE UNIT	APPROX. MACHINE WEIGHT	SHIPPING WEIGHT	LIST PRICE
RS15-82	15 SERIES RIPPER SHANK	194#	224#	\$ 943

RS20 Ripper Shank

70-110 HP



Cat. 1 & 2
 Quick Hitch Compatible
 Dual Ripper Shank with Shear Bolt Protection
 Replaceable Tip
 Adjustable Row Spacing
 Heavy Duty Mounts with 3/4" U-Bolts
 Parking Stand
 Available only in ORANGE

2 PAKS LIKE UNITS ONLY

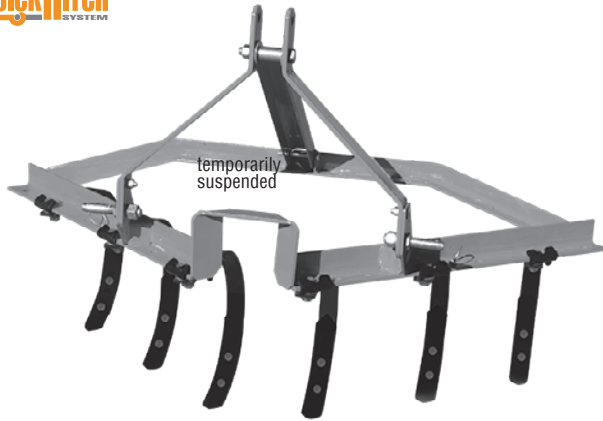
YOU MUST ADD 11% SURCHARGE TO PRICES AS OF 8/4/21

MODEL NUMBER	BASE UNIT	APPROX. MACHINE WEIGHT	SHIPPING WEIGHT	LIST PRICE
temporarily suspended RS20-82	20 SERIES RIPPER SHANK	332#	362#	\$ 1,652

FC10 Field Cultivator

RETURN TO INDEX

Up to 45 HP



Cat. 1
 Quick Hitch Compatible
 6 Heat-Treated Spring Steel C Tines
 Replaceable, Reversible, Heat-treated Tips
 Adjustable Row Widths: 48" up to 57"
 Heavy-duty Formed Frame
 Available only in ORANGE

*Arrives Factory Assembled

2 PAKS LIKE UNITS ONLY

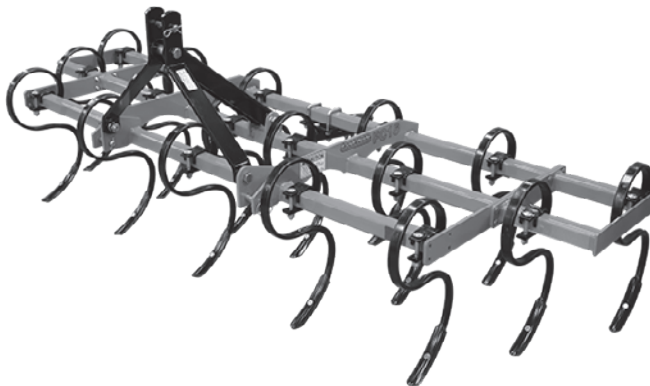
Dirtworking

YOU MUST ADD 11% SURCHARGE TO PRICES AS OF 8/4/21

MODEL NUMBER	BASE UNIT	APPROX. MACHINE WEIGHT	SHIPPING WEIGHT	LIST PRICE
temporarily suspended FC10-82	10 SERIES FIELD CULTIVATOR	135#	149#	\$ 613

FC15 Field Cultivator

Up to 50 HP



Cat. 1 3-Point Hitch
 Quick Hitch Compatible
 50 HP Max.
 72" Working Width
 Cat 1 3-Point Hitch
 4" Working Depth
 2x2 Square Tubing Frame
 Optional Extensions Create 96" Working Width (LP Exclusive)
 Available Hitch to Pull DRG06 & DRG08
 Available only in ORANGE

*Arrives Factory Assembled

2 PAKS LIKE UNITS ONLY

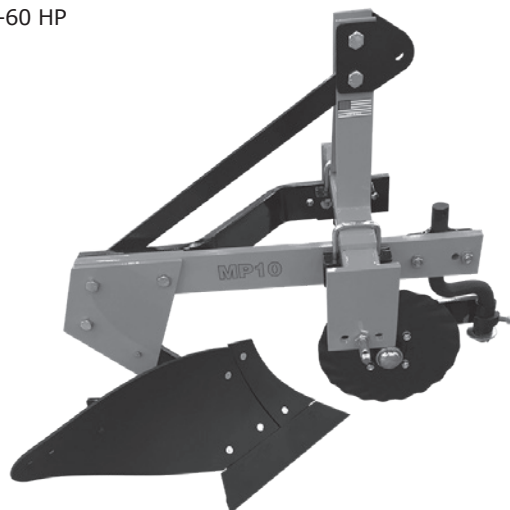
YOU MUST ADD 11% SURCHARGE TO PRICES AS OF 8/4/21

MODEL NUMBER	BASE UNIT	APPROX. MACHINE WEIGHT	SHIPPING WEIGHT	LIST PRICE
temporarily suspended FC15-82	15 SERIES FIELD CULTIVATOR	289#	311#	\$ 1,139
	OPTIONS			
-01	Extensions (Pair)	60#	60#	\$ 340

MP10 & MP20 Moldboard Plows

RETURN TO INDEX

20-60 HP



Cat. 1
 Single Moldboard Plow
 Moldboard blade: 14 in.
 Steel Bar Frame: 1 in. x 4 in.
 MP10: Single 14" Share
 MP20: Double 14" Share
 Replaceable Share(s), Shin(s), and Heel
 Optional Coulter Assembly
 Available only in ORANGE
 Does not Fit BX Tractors

2 PAKS LIKE UNITS ONLY

Dirtworking

YOU MUST ADD 11% SURCHARGE TO PRICES AS OF 8/4/21

MODEL NUMBER	BASE UNIT	APPROX. MACHINE WEIGHT	SHIPPING WEIGHT	LIST PRICE
MP10-82	10 SERIES MOLDBOARD PLOW	294#	319#	\$ 1,044
OPTIONS				
-01	Coulter Assembly	46#	46#	\$ 241
BASE UNIT				
MP20-82	20 SERIES MOLDBOARD PLOW	513#	542#	\$ 1,684
OPTIONS				
-01	Coulter Assembly	89#	89#	\$ 485

temporarily suspended

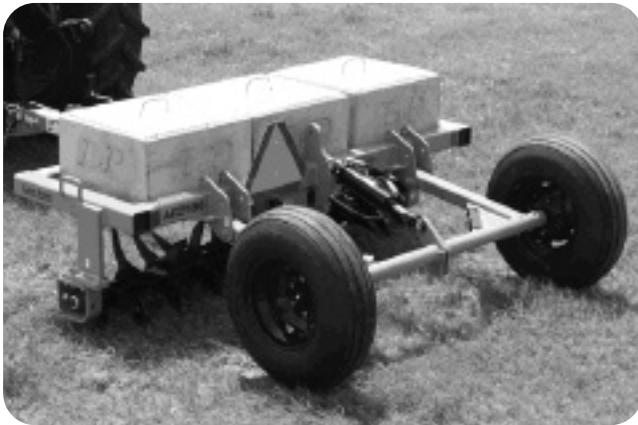
temporarily suspended

AR25 Series - 8' & 10' Pull-Type

RETURN TO INDEX

40-250 HP

Dirtworking



Working Width: 7'2" and 9'8"
 Overall Length: 10'11"
 Hitch: Pull-Type
 Clevis: Double Tang
 Tongue Jack with Storage
 Tines: Forged Steel
 Tine Length: 10"
 Tine Penetration: Up to 8"*
 Tine Spacing: 7 1/2"
 No. of Tines: 8' - 48, 10' - 64
 Rotor Angle: 2 1/2, 5, 7 1/2 Degrees, 2 Bolt Adjustment
 Bearings: Triple Lip Seal
 Bearing Hanger: Heavy Duty
 Tire Size: 9.5Lx15-8 Ply
 Wheel Hub: 6 Bolt
 Weights: Optional Concrete Weights

*Tine penetration is dependent on ground conditions

YOU MUST ADD 11% SURCHARGE TO PRICES AS OF 8/4/21

temporarily suspended

temporarily suspended

MODEL NUMBER	DESCRIPTION	APPROX. MACHINE WEIGHT	SHIPPING WEIGHT	LIST PRICE
AR2596	25 SERIES - 8' PULL-TYPE PASTURE AERATOR	1,750#	1,750#	\$ 12,320
AR2510	25 SERIES - 10' PULL-TYPE PASTURE AERATOR	2,100#	2,100#	\$ 15,036
ADD OPTION NO. YOU MAY CHOOSE ONE WEIGHT PACKAGE				
-02	Two Concrete Weights 740 lbs. each	1,480#	1,480#	\$ 368
-03	Three Concrete Weights	2,100#	2,100#	\$ 560
-04	Four Concrete Weights (10' Model only)	2,960#	2,960#	\$ 747
YOU MAY CHOOSE THE DRAG HARROW CARRIER				
-12	Drag Harrow Carrier	160#	160#	\$ 1,441
Color (No Option=Buckskin)				
-82	Orange			

PD10/PD15/PD25/PD35 Series Post Hole Diggers RETURN TO INDEX

Dirtworking

PD10: 15-30 HP (3 YR WARR.)
 PD15: 20-40 HP
 PD25: 25-55 HP
 PD35: 30-75 HP



540 RPM
 Tubular Yoke and Boom
 Gearbox Input and Output Shields
 2" Output Shaft
 Teeth: Forged, Individually Replaceable
 40 Degree Angle Installed on Flat Side
 50 Degree Angle Installed on Angled Side
 6" - 2 teeth; 9" - 4 teeth,
 12" - 4, 15" - 5, 18" - 6, 24" - 8
 Auger Length: 48" (30" on PD10)
 Auger Thickness: 1/4"
 2 1/2" OD Pipe Pilot: Cast Steel, 3 Drill Points

YOU MUST ADD 11% SURCHARGE TO PRICES AS OF 8/4/21

MODEL NUMBER	BASE UNIT	APPROX. MACHINE WEIGHT	SHIP-PING WEIGHT	LIST PRICE
PD10	10 SERIES - COMPACT UTILITY DIGGER Cat. 1 Hitch, 2 7/8" Yoke & Boom 30 HP Gearbox Cat. 2 Shearbolt Driveline	120#	189#	\$ 1,116
PD10 & PD15 are sold 2 per Crate.				
PD15	15 SERIES - UTILITY DIGGER Cat. 1 Hitch, 2 7/8" Yoke & Boom 40 HP Gearbox Cat. 2 Shearbolt Driveline	161#	230#	\$ 1,217
PD10 & PD15 are sold 2 per Crate.				
PD25-31	25 SERIES - MEDIUM DUTY DIGGER Cat. 1 or 2 Hitch 2 7/8" Yoke, 3 1/2" Reinforced Boom 55 HP Gearbox Cat. 3 Shearbolt PTO	186#	255#	\$ 1,489
PD35-31	35 SERIES - HEAVY DUTY DIGGER Cat. 1 or 2 Hitch 2 7/8" Yoke, 3 1/2" Reinforced Boom 75 HP Gearbox Cat. 3 Shearbolt PTO	233#	302#	\$ 1,857
DRIVELINE OPTION - 25 & 35 Series Only Cat. 3 Radial Pin Driveline - Delete -31 & ADD -32 to Model Number (Recommended on Auger Size of 15" and above)		31#	31#	\$ 162
ADD OPTION NO. COLOR OPTION (No Option=Buckskin)				
-82	Orange			
ADD OPTION NUMBER				
-06	6" Semi-Double Flight Auger-30"	PD10 Only	(317-106A)	35# 35# \$ 339
-09	9" Semi-Double Flight Auger-30"	PD10 Only	(317-109A)	42# 42# \$ 431
-12	12" Semi-Double Flight Auger-30"	PD10 Only	(317-112A)	46# 46# \$ 449
-06	6" Semi-Double Flight Auger	PD15, 25 & 35	(317-030A)	39# 39# \$ 339
-09	9" Semi-Double Flight Auger	PD15, 25 & 35	(317-033A)	52# 52# \$ 431
-12	12" Semi-Double Flight Auger	PD15, 25 & 35	(317-036A)	60# 60# \$ 449
-15	15" Double Flight Auger	PD25 & 35 only	(317-070A)	57# 57# \$ 525
-18	18" Double Flight Auger	PD25 & 35 only	(317-038A)	84# 84# \$ 629
-24	24" Tree Auger	PD25 & 35 only	(317-039A)	109# 109# \$ 848
-60	6" Rock Auger	PD15, 25 & 35	(317-258A)	40# 40# \$ 1,060
-61	9" Rock Auger	PD15, 25 & 35	(317-259A)	54# 54# \$ 1,322
-62	12" Rock Auger	PD15, 25 & 35	(317-260A)	106# 106# \$ 1,631
-63	15" Rock Auger	PD15, 25 & 35	(317-261A)	61# 61# \$ 1,941
-64	18" Rock Auger	PD15, 25 & 35	(317-262A)	73# 73# \$ 2,259

See Accessories on pg. 144

HD25/HD35 Series Post Hole Diggers

Hydraulic Drive

RETURN TO INDEX

HD25: 5-12 GPM • HD35: 10-25 GPM

Cat. I or II Hitch, or Front Loader Bucket Mount
 Tubular Yoke and Boom on 3-Point
 Gearbox Input and Output Shields
 2" Output shaft on Gearbox
 Hydraulically Reversible
 Auger Teeth: Forged, Individually Replaceable
 40 Degree Angle Installed on Flat Side
 50 Degree Angle Installed on Angled Side

6" - 2 Teeth; 9" - 4 Teeth,
 12" - 4, 15" - 5, 18" - 6, 24" - 8
 Auger Pipe: 2 1/2" OD
 Auger Flighting Thickness: 1/4"
 Auger Length: 48"
 Pilot: Cast Steel, 3 Drill Points

Dirtworking

YOU MUST ADD 11% SURCHARGE TO PRICES AS OF 8/4/21

MODEL NUMBER	BASE UNIT	APPROX. MACHINE WEIGHT	SHIPPING WEIGHT	LIST PRICE
HD25	25 SERIES HYDRAULIC DIGGER For 5-12 GPM Systems @ 1500-3000 PSI 700 ft. lbs. Max torque at 2500 PSI	102#	172#	\$ 1,472
HD35	35 SERIES HYDRAULIC DIGGER For 10-25 GPM Systems @ 1500-3000 PSI 1605 ft. lbs. Max torque at 2500 PSI	102#	172#	\$ 1,535
ADD				
OPTION NO.	COLOR OPTION (No Option=Buckskin)			
-82	Orange* (Available only with -03 Option)			
ADD				
OPTION NO.	MOUNTING OPTION			
-01	Bucket Mount without Hydraulic Hoses (black only) (317-077A)	23#	23#	\$ 146
-02	Bucket Mount with 24' Hydraulic Hoses (black only) (317-082A)	42#	42#	\$ 341
-03	3-Point Mounting and Hoses (317-078A)	94#	94#	\$ 634
-04	Skid/Loader Plate with 24' Hydraulic Hoses w/o Couplers (317-205A)	113#	113#	\$ 794
-05	Skid/Loader Plate with 8' Hydraulic Hoses and Flat Face Couplers (317-206A)	128#	128#	\$ 816
-07	Skid/Loader Plate with No Hoses (317-369A)	112#	112#	\$ 579
AUGER OPTIONS				
-06	6" Semi-Double Flight Auger (317-030A)	39#	39#	\$ 339
-09	9" Semi-Double Flight Auger (317-033A)	52#	52#	\$ 431
-12	12" Semi-Double Flight Auger (317-036A)	60#	60#	\$ 449
-15	15" Double Flight Auger (317-070A)	57#	57#	\$ 525
-18	18" Double Flight Auger (317-038A)	84#	84#	\$ 629
-24	24" Tree Auger (317-039A)	109#	109#	\$ 848
-60	6" Rock Auger (317-258A)	40#	40#	\$ 1,060
-61	9" Rock Auger (317-259A)	54#	54#	\$ 1,322
-62	12" Rock Auger (317-260A)	106#	106#	\$ 1,631
-63	15" Rock Auger (317-261A)	61#	61#	\$ 1,941
-64	18" Rock Auger (317-262A)	73#	73#	\$ 2,259

See Accessories on pg. 144

*May not work in some cab applications

SA10 Series Hydraulic Driven Post Hole Digger

RETURN TO INDEX

4-10 gpm

Dirtworking



Universal Quick-Attach
 Hydraulically Driven Planetary Gearbox
 Hydraulically Reversible
 Output Shaft: 2" Round
 Auger Teeth: Forged, Individually Replaceable
 Auger; 6", 9", 12"
 Can be operated with LP 3rd Function Valve Kit
 Can mount to PFL1242 frame

YOU MUST ADD 11% SURCHARGE TO PRICES AS OF 8/4/21

MODEL NUMBER	DESCRIPTION	APPROX. MACHINE WEIGHT	SHIPPING WEIGHT	LIST PRICE
SA10	10 SERIES HYDRAULIC POST HOLE DIGGER Cradle for mounting on PFL frame with hoses	128#	140#	\$ 1,535
SA10-20	10 SERIES HYDRAULIC POST HOLE DIGGER Universal Quick-Attach with hoses	239#	258#	\$ 2,145
ADD OPTION NUMBER				
YOU MUST CHOOSE A MOTOR				
-10	6" Semi-Double Flight Auger-30" Recommended for BX (317-106A)	35#	35#	\$ 339
-11	9" Semi-Double Flight Auger-30" Recommended for BX (317-109A)	42#	42#	\$ 431
-12	12" Semi-Double Flight Auger-30" Recommended for BX (317-112A)	46#	46#	\$ 449
-13	6" Semi-Double Flight Auger (317-030A)	39#	39#	\$ 339
-14	9" Semi-Double Flight Auger (317-033A)	52#	52#	\$ 431
-15	12" Semi-Double Flight Auger (317-036A)	60#	60#	\$ 339

See Accessories on pg. 144

SA20 Series Hydraulic Driven Post Hole Digger

RETURN TO INDEX

Dirtworking

6-30 gpm

Universal Quick-Attach or Bucket Mount
 Hydraulically Driven Planetary Gearbox
 Hydraulically Reversible
 3 Motor Options: High, Med., & Low Flow
 Output Shaft: 2" Hex
 Auger Teeth: Forged, Individually Replaceable
 40 Degree Angle Installed on Flat Side
 50 Degree Angle Installed on Angled Side
 9" - 4 teeth, 12" - 4, 15" - 5, 18" - 6,
 24" - 8, 30" - 10, 36" - 12
 Tree Augers: 24" - 9, 30" - 11, 36" - 13

Auger Pipe: 2 1/2" ID
 Auger Flighting Thickness: 1/4"
 Auger Length: 48", 46" length on 9"
 Optional Flat Face Couplers
 Optional 8' or 24' Hose
 Torque: Up to 2620 ft/lb @ 3000 PSI*

YOU MUST ADD 11% SURCHARGE TO PRICES AS OF 8/4/21

MODEL NUMBER	DESCRIPTION		APPROX. MACHINE WEIGHT	SHIPPING WEIGHT	LIST PRICE
SA20-01	20 SERIES HYDRAULIC POST HOLE DIGGER Bucket Mount w/o Hoses		22#	62#	\$ 523
SA20-02	20 SERIES HYDRAULIC POST HOLE DIGGER Bucket Mount w/Hoses		25#	65#	\$ 677
SA20-03	20 SERIES HYDRAULIC POST HOLE DIGGER Universal Quick Attach w/o Hoses		159#	199#	\$ 843
SA20-04	20 SERIES HYDRAULIC POST HOLE DIGGER Universal Quick Attach w/24' Hoses		210#	268#	\$ 1,008
SA20-05	20 SERIES HYDRAULIC POST HOLE DIGGER Universal Quick Attach w/8' Hoses		210#	268#	\$ 945
ADD OPTION NUMBER					
YOU MUST CHOOSE A MOTOR					
-41	Low Flow Hyd Motor 6-15 GPM	317-216A	71#	71#	\$ 1,553
-42	Med Flow Hyd Motor 10-20 GPM	317-209A	71#	71#	\$ 1,537
-43	High Flow Hyd Motor 15-30 GPM	317-217A	71#	71#	\$ 1,537
YOU MAY CHOOSE COUPLERS					
-50	1/2" Flat Face Couplers (includes adaptors)	301-505A	3#	3#	\$ 145
-51	3/4" Face Couplers (includes adaptors)	317-225A	1#	1#	\$ 240
-52	Pioneer Couplers (includes adaptors)	317-226A	1#	1#	\$ 22
ADD OPTION NUMBER					
FOR 2" HEX OUTPUT SHAFTS					
-06	6" Double Flight Auger	(317-273A)	60#	60#	\$ 503
-09	9" Double Flight Auger	(317-095A)	70#	70#	\$ 526
-12	12" Double Flight Auger	(317-098A)	98#	98#	\$ 598
-15	15" Double Flight Auger	(317-101A)	119#	119#	\$ 765
-18	18" Double Flight Auger	(317-104A)	131#	131#	\$ 842
-24	24" Double Flight Auger	(317-107A)	214#	214#	\$ 986
-26	24" Tree Auger	(317-110A)	162#	162#	\$ 899
-30	30" Double Flight Auger	(317-113A)	254#	254#	\$ 1,448
-32	30" Tree Auger	(317-116A)	236#	236#	\$ 1,352
-36	36" Double Flight Auger	(317-119A)	380#	380#	\$ 1,734
-38	36" Tree Auger	(317-122A)	305#	305#	\$ 1,642
-70	6" Rock Auger	(317-280A)	40#	40#	\$ 1,060
-71	9" Rock Auger	(317-263A)	89#	89#	\$ 1,322
-72	12" Rock Auger	(317-264A)	111#	111#	\$ 1,631
-73	15" Rock Auger	(317-265A)	140#	140#	\$ 1,941
-74	18" Rock Auger	(317-266A)	73#	73#	\$ 2,259
-75	24" Rock Auger	(317-267A)	80#	80#	\$ 2,838
-85	2" Puff Auger	(317-318A)	32#	32#	\$ 504

*Torque based on theoretical 100% efficiency for comparison.
 See Accessories on pg. 144

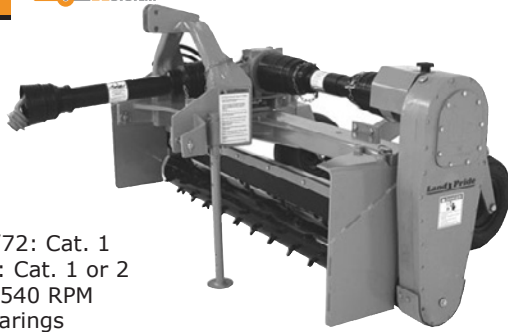
YOU MUST ADD 11% SURCHARGE TO PRICES AS OF 8/4/21

MODEL NUMBER	ACCESSORIES	APPROX. WEIGHT	SHIPPING WEIGHT	LIST PRICE
317-162A	Alignment Handle - PD10 Only	10#	10#	\$ 49
317-159A	Hydraulic Down Pressure Kit - PD10 Only	30#	30#	\$ 685
317-027A	Hydraulic Down Pressure Kit - PD15 Only	35#	35#	\$ 685
317-028A	Hydraulic Down Pressure Kit, 25 & 35 Series	50#	50#	\$ 712
317-166A	PD10 Storage Stand	25#	25#	\$ 256
317-142A	Storage Stand - PD15, PD25, PD35, HD25-03, HD35-03	30#	30#	\$ 256
317-042A	Alignment Handle	12#	12#	\$ 59
317-040A	7" Auger Extension - PD15, PD25, PD35, HD25, HD35	9#	9#	\$ 145
317-041A	14" Auger Extension - PD15, PD25, PD35, HD25, HD35	15#	15#	\$ 184
317-203A	Skid/Loader Mount			\$ 422
Auger Extensions				
317-129A	2" Hex - 24" Auger Extension - SA20	34#	34#	\$ 562
317-131A	2" Hex - 48" Auger Extension - SA20	58#	58#	\$ 818
Rock Heads				
317-274A	6" Bolt-on Rock Head - SA20	24#	24#	\$ 598
317-275A	9" Bolt-on Rock Head - SA20	36#	36#	\$ 734
317-276A	12" Bolt-on Rock Head - SA20	43#	43#	\$ 797
317-277A	15" Bolt-on Rock Head - SA20	47#	47#	\$ 854
317-278A	18" Bolt-on Rock Head - SA20	62#	62#	\$ 902
317-279A	24" Bolt-on Rock Head - SA20	79#	79#	\$ 1,057

PR16 Series Powered Rakes

RETURN TO INDEX

60/72: 25-60 HP • 90: 35-75 HP



Hitch: 60/72: Cat. 1
 90: Cat. 1 or 2
 Gearbox: 540 RPM
 Ball Bearings
 Cast Iron Housing
 Drain Plug

Primary Driveline: Cat. 3
 Secondary Driveline: Cat. 3 with Slip-Clutch
 Material Control Deflector: 1/2" x 5" Hard Urethane
 Roller: 9 3/8" Diameter with 3/4" x 1 1/2" Carbide Tipped Studs
 Ball Bearings at Roller Ends
 Drive Chain: #50 Double Continuous Roller Chain
 High Tensile, Enclosed in Oil Bath
 Angle Adjustment: 15 Degrees Left & Right
 Angle Cylinder: 2" x 8", or Manual Angling Adjustment
 Removable End Plates with Storage Rack
 Gauge Wheels: Air Tires with Sealant and
 3/4" Roller Bearings & Spacer Height Adjustment:
 60": 13" x 6.5"; 72" & 90": 16.5" x 6.5"
 Replaceable Skid Shoes
 Fits Land Pride Cat. 1 Quick-Hitch

Dirtworking

YOU MUST ADD 11% SURCHARGE TO PRICES AS OF 8/4/21

MODEL NUMBER	DESCRIPTION	APPROX. MACHINE WEIGHT	SHIPPING WEIGHT	LIST PRICE
PR1660-01-21-31	16 SERIES POWERED RAKE - 60" Width Carbide Tipped Studded Roller - Manual Angling, STD Hitch	980#	1060#	\$ 11,799
PR1660-02-21-31	16 SERIES POWERED RAKE - 60" Width Carbide Tipped Studded Roller - Hydraulic Angling, STD Hitch	980#	1060#	\$ 12,029
PR1672-01-21-31	16 SERIES POWERED RAKE - 72" Width Carbide Tipped Studded Roller - Manual Angling, STD Hitch	1000#	1080#	\$ 12,507
PR1672-02-21-31	16 SERIES POWERED RAKE - 72" Width Carbide Tipped Studded Roller - Hydraulic Angling, STD Hitch	1000#	1080#	\$ 12,737
PR1690-01-21-31	16 SERIES POWERED RAKE - 90" Width Carbide Tipped Studded Roller - Manual Angling, STD Hitch	1150#	1230#	\$ 13,556
PR1690-02-21-31	16 SERIES POWERED RAKE - 90" Width Carbide Tipped Studded Roller - Hydraulic Angling, STD Hitch	1150#	1230#	\$ 13,786
ADD OPTION NO.	COLOR OPTION (No Option=Buckskin)			
-82	Orange			

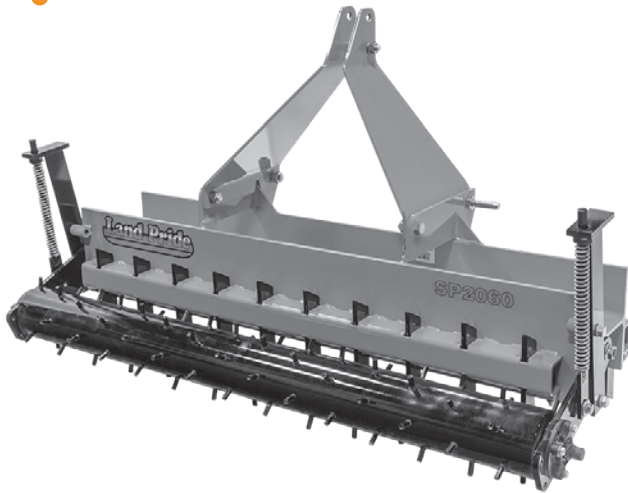
SP20 Series Soil Pulverizers

RETURN TO INDEX

25-35 HP



Dirtworking



Hitch: Cat. 1
 Single 5 9/16" Steel Spiked Roller
 3/8" x 1 1/4" Steel Spikes with Replaceable Sleeve
 32 Pound/Inch Springs on Roller
 Self-Aligning Cast 1" Bearings with Double Lip Seals
 No. of Scarifiers - 21 on 60", 25 on 72"
 Scarifiers: 10 1/2" x 2" x 1/2" - Reversible
 Scarifier Spacing: 2 23/16"
 10" Frame Beam
 1" Diameter Shaft in Roller
 Fits Land Pride Quick-Hitch

YOU MUST ADD 11% SURCHARGE TO PRICES AS OF 8/4/21

MODEL NUMBER	DESCRIPTION	APPROX. MACHINE WEIGHT	SHIPPING WEIGHT	LIST PRICE
SP2060-02-61	20 SERIES SOIL PULVERIZER - 60" Width Single Spike Roller, Wide 2" Shanks	491#	526#	\$ 2,133
SP2072-02-61	20 SERIES SOIL PULVERIZER - 72" Width Single Spike Roller, Wide 2" Shanks	561#	596#	\$ 2,515
ADD OPTION NO.	COLOR OPTION (No Option=Buckskin)			
-82	Orange			

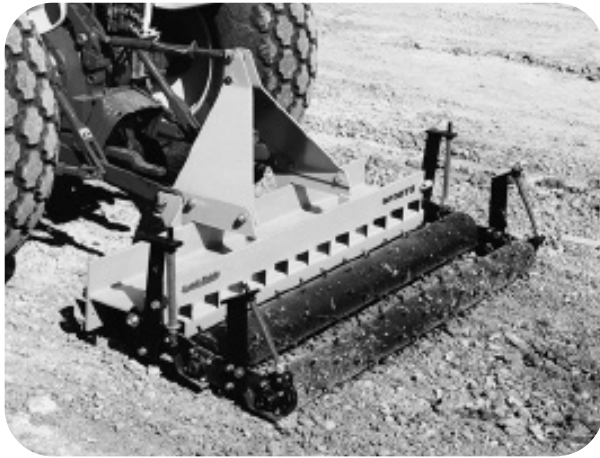
SP30 Series Soil Pulverizers

RETURN TO INDEX

30-50 HP



Dirtworking



Hitch: Cat. 1 - Clevis Type Lower Hitch
 Formed Plate A-Frame
 Choice of: Single 6⁵/₈" Steel Spiked Roller
 Double Roller: Front 6⁵/₈" - Rear 5⁹/₁₆"
³/₈" x 1¹/₄" Steel Spikes with Replaceable Sleeve
 32 Pound/Inch Springs on Front Roller,
 15 lbs. on Rear Roller
 Self-Aligning Cast 1" Bearings with Double Lip Seals
 12" Frame Beam
 No. of Scarifiers - 25 on 72", 29 on 84"
 Scarifiers: 10 ¹/₂" x 2" x ¹/₂" - Reversible
 Scarifier Spacing: 2 13/16"
 1" Diameter Shaft in Roller
 Fits Land Pride Quick-Hitch

YOU MUST ADD 11% SURCHARGE TO PRICES AS OF 8/4/21

MODEL NUMBER	DESCRIPTION	APPROX. MACHINE WEIGHT	SHIPPING WEIGHT	LIST PRICE	
With Single Spike Roller					
SP3072-02-61	30 SERIES SOIL PULVERIZER - 72" Width Wide 2" Shanks	728#	783#	\$ 2,901	
temporarily suspended	SP3084-02-61	30 SERIES SOIL PULVERIZER - 84" Width Wide 2" Shanks	850#	905#	\$ 3,232
With Double Spike Roller					
SP3072-02-62	30 SERIES SOIL PULVERIZER - 72" Width Wide 2" Shanks	883#	938#	\$ 3,922	
temporarily suspended	SP3084-02-62	30 SERIES SOIL PULVERIZER - 84" Width Wide 2" Shanks	1030#	1085#	\$ 4,390
ADD					
OPTION NO.	COLOR OPTION (No Option=Buckskin)				
-82	Orange				

STH15 Series Spike Tooth Harrows

RETURN TO INDEX

CAT. 1 - Up to 45 HP



Made in USA
 Hitch: Cat 1
 Working Width: 88⁵/₈"
 Machine Width: 90⁷/₈"
 Front to Rear Length: 4'5"
 No. of Bars: 5
 Tooth Bar: 1¹¹/₁₆" OD
 Chain Suspension for Flexibility
 Spike Tooth: Diamond Shaped, 8¹/₂" Forge Hardened Tip
 Tooth Angles: 10
 Tooth Spacing: 9"
 No. of Teeth: 50 (10 per bar)
 Tooth Ground Contact: Every 1³/₄"

Dirtworking

YOU MUST ADD 11% SURCHARGE TO PRICES AS OF 8/4/21

temporarily suspended

MODEL NUMBER	DESCRIPTION	APPROX. MACHINE WEIGHT	SHIPPING WEIGHT	LIST PRICE
STH1590	15 SERIES SPIKE TOOTH HARROW - 90" Width	237#	300#	\$ 1,344
ADD OPTION NO.	COLOR OPTION (No Option=Buckskin)			
-82	Orange			

STH20 Series Spike Tooth Harrows

RETURN TO INDEX

Min. HP - 45; Pull-Type



Made In USA
 Hitch: Pull Type with Clevis
 Tongue Weight: 432 lbs.
 Working Width: 23'7"
 Transport Width: 8'6"
 Transport Height: 8'8"
 Transport Length: 15'
 Field Length: 23'
 No. of Bars: 8
 Tooth Bar: 1¹¹/₁₆" OD
 Spike Tooth: Diamond Shaped,
 8¹/₂" Forge Hardened Tip
 Tooth Spacing: 9"
 No. of Teeth: 244
 Teeth on Ground/ft: 12
 Transport Tires: 4 ea, 205R15
 Wheel Hub: 4 Bolt
 Replaceable Wheel Spindles
 Lift Cylinder: 3¹/₂"x 8"
 Wing Cylinders: 2"x 14"

Dirtworking

YOU MUST ADD 11% SURCHARGE TO PRICES AS OF 8/4/21

MODEL NUMBER	DESCRIPTION	APPROX. MACHINE WEIGHT	SHIPPING WEIGHT	LIST PRICE
STH2024	20 SERIES SPIKE TOOTH HARROW - 24' Folding	2,100#	2,100#	\$ 11,599

temporarily suspended

ADD OPTION NO.	COLOR OPTION (No Option=Buckskin)
-82	Orange

FREIGHT

Does Not Qualify for Free Freight.

LP Truck Freight Rates Apply.

ASSEMBLY REQUIRED

Allow approximately 30 minutes.

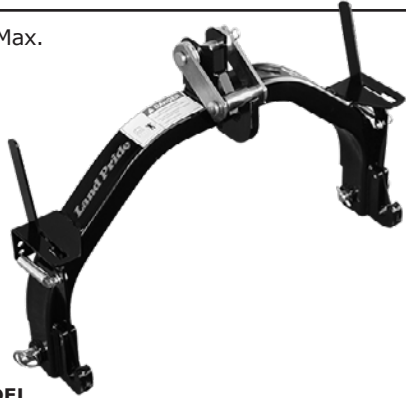
Teeth are pre-assembled to the bar.

QH05 Cat. 1 for Subcompact Tractors

[RETURN TO INDEX](#)

Hitches

28 HP Max.



Overall Width: 32⁵/₈"
 Height: 20¹/₄"
 Length: 6¹/₂"
 Tractor Hitch: Cat. 1, 3-Point, Subcompact
 Lifting Capacity: 700 lbs, 24" Back
 Automatic Lock: On Lower 3-Point Arms
 Optional Floating Top Link Attachment Allows Quick-Hitch to be Used with Implements Which Also Have a Floating Top Link
 Can be Shipped UPS (singles only)
 Patents Pending

YOU MUST ADD 11% SURCHARGE TO PRICES AS OF 8/4/21

MODEL NUMBER	DESCRIPTION	APPROX. MACHINE WEIGHT	SHIPPING WEIGHT	LIST PRICE
QH05	CAT. 1 QUICK-HITCH	37#	38#	\$ 275
QH05-01	CAT. 1 QUICK-HITCH with Floating Top Link (320A-052A)	39#	41#	\$ 291
CHOOSE A COLOR				
-82	Orange			
-85	Black			



ADDITIONAL SAVINGS
6-PAK PRICING
 Order 6 QH05s Same Color/Same Options at one time - DEDUCT \$28 on each unit.
 Add option No. -96 to Model Number & Deduct \$ (28)

For a complete list of compatible Land Pride implements, scan QR code or visit landpride.com/QH05

PTO driven implements may need a longer driveline. Please consult our Service & Parts Department for longer profile availability.

QH10 & QH15 Cat. 1 Series



Overall Width: 32⁵/₈"
 Height: 23³/₄"
 Length: QH10: 8" QH15: 9"
 Tractor Hitch: Cat. 1, 3-Point
 Automatic Lock on Lower 3-Point Arms
 Optional Floating Top Link Attachment Allows Quick-Hitch to be Used with Implements Which Also Have a Floating Top Link
 Can be Shipped UPS (singles only)

YOU MUST ADD 11% SURCHARGE TO PRICES AS OF 8/4/21

MODEL NUMBER	DESCRIPTION	APPROX. MACHINE WEIGHT	SHIPPING WEIGHT	LIST PRICE
QH10	CAT. 1 QUICK-HITCH	64#	66#	\$ 569
QH10-01	CAT. 1 QUICK-HITCH with Floating Top Link (320-052A)	67#	69#	\$ 585
QH15	CAT. 1 QUICK-HITCH	70#	72#	\$ 569
QH15-01	CAT. 1 QUICK-HITCH with Floating Top Link (320-013A)	73#	75#	\$ 602
CHOOSE A COLOR				
-82	Orange			
-85	Black			

ADDITIONAL SAVINGS
6-PAK PRICING
 Order 6 QH10s or 6 QH15s, Same Color/Same Options, at one time - DEDUCT \$67 on each unit.
 Add option No. -96 to Model Number & Deduct \$ (67)

Different implements may need lower hitch bushings for a tight attachment on QH15. Please see the Quick-Hitch Operator's Manual for a list of available bushings.

PTO driven implements may need a longer driveline. Please consult our Service & Parts Department for longer profile availability.

QH20 Cat. 2 Series

[RETURN TO INDEX](#)

Hitches



Overall Width: 40"
 Height: 23⁵/₈"
 Length: 8⁷/₈"
 Tractor Hitch: Cat 2, 3-Point
 Automatic Lock on Lower 3-Point Arms

Optional Floating Top Link Attachment Allows Quick-Hitch to be Used with Implements Which Also Have a Floating Top Link

QH15 - Can be Shipped UPS (singles only)

YOU MUST ADD 11% SURCHARGE TO PRICES AS OF 8/4/21

MODEL NUMBER	DESCRIPTION	APPROX. MACHINE WEIGHT	SHIPPING WEIGHT	LIST PRICE
QH20	CAT. 2 QUICK-HITCH	120#	130#	\$ 849
QH20-01	CAT. 2 QUICK-HITCH with floating top link	125#	135#	\$ 891

CHOOSE A COLOR

- 82 Orange
- 85 Black

ADDITIONAL SAVINGS
6-PAK PRICING

Order 6 QH20s, Same Color/Same Options, at one time - DEDUCT \$67 on each unit.
 Add option No. -96 to Model Number & Deduct \$ (67)

Different implements may need lower hitch bushings for a tight attachment. Please see the Quick-Hitch Operator's Manual for a list of available bushings.

PTO driven implements may need a longer driveline. Please consult our Service & Parts Department for longer profile availability.

QH30 Cat. 3 Series



Overall Width: 44⁵/₈"
 Height: 28⁵/₈"
 Length: 8⁷/₈"
 Tractor Hitch: Cat 3, 3-Point
 Automatic Lock on Lower 3-Point Arms
 Black only

YOU MUST ADD 11% SURCHARGE TO PRICES AS OF 8/4/21

MODEL NUMBER	DESCRIPTION	APPROX. MACHINE WEIGHT	SHIPPING WEIGHT	LIST PRICE
QH30-85	CAT. 3 QUICK-HITCH	175#	186#	\$ 916

Different implements may need lower hitch bushings for a tight attachment. Please see the Quick-Hitch Operator's Manual for a list of available bushings.

PTO driven implements may need a longer driveline. Please consult our Service & Parts Department for longer profile availability.

GR15 Series Stump Grinder

RETURN TO INDEX

25-55 HP



- 3 pt. Cat. 1 Hitch
- 24" Cutting Rotor
- 1/2" Rotor Thickness
- 30 Replaceable Carbide Teeth
- 800-1,100 RPM
- 10" Maximum Cutting Depth
- 27" Swing Arc
- Slip Clutch Driveline
- Sawtooth Base for Stability
- Available in Orange Only

Material Handling

YOU MUST ADD 11% SURCHARGE TO PRICES AS OF 8/4/21

MODEL NUMBER	DESCRIPTION	APPROX. MACHINE WEIGHT	SHIPPING WEIGHT	LIST PRICE
GR1525	15 SERIES 3-Point STUMP GRINDER	650#	828#	\$ 5,300
	<u>MUST CHOOSE A REMOTE OPTION</u>			
-11	Tractor Dual Remote Bundle	8#		\$ 465
-12	Electric/Hydraulic Switch, Single Remote	20#		\$ 925

WC1503 Series Wood Chipper

[RETURN TO INDEX](#)

12-30 HP



Hitch: Cat. 1, Quick Hitch Compatible
 Chip Capacity*: 3"
 Upper Hitch Plate Thickness: 1/4"
 Main Frame Thickness: 3/16"
 Rotor Housing Thickness: 3/16"
 Rotor Size: 17 1/2"
 Rotor Speed: 1984 rpm
 PTO Speed: 540 rpm
 Driveline Category: Cat. 2
 Main Drive Pulley Diameter: 16.35"
 Rotor Pulley Diameter: 4 1/2"
 Belts: 2 Single B Section
 Belt Tensioner: Spring Loaded with Adjustment
 Hopper Inlet Opening: 14" x 15"
 Chipper Inlet Opening: 6" x 3"
 Spout Discharge Opening: 3 1/4"
 Cutting Knife: Reversible and Replaceable
 Number of Knives: 2
 Knife Size: 2 1/2" x 2" x 1/4"
 Knife Material: Hardened Steel
 Feed System: Self Feed
 Feed Height Above Ground: 35" (No Skids)
 Chip Chute Position: 270 Degrees
 Adjustable Support Stands

* Min. 25 HP for Maximum Capacity

Material Handling

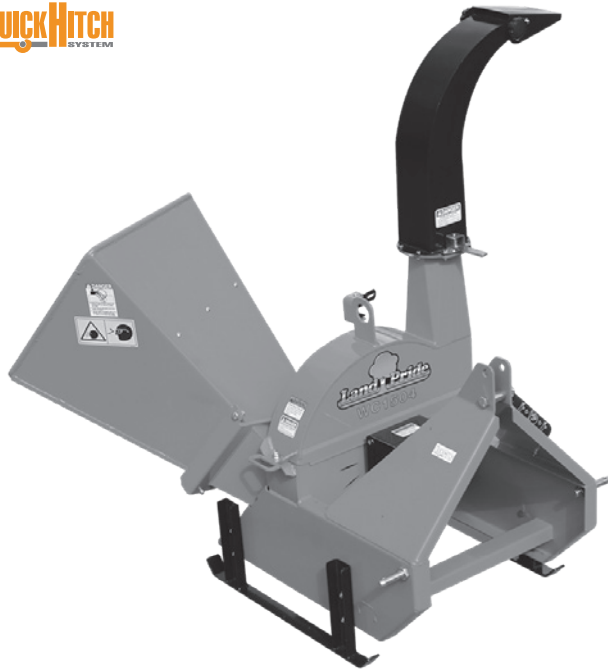
YOU MUST ADD 11% SURCHARGE TO PRICES AS OF 8/4/21

MODEL NUMBER	DESCRIPTION	APPROX. MACHINE WEIGHT	SHIPPING WEIGHT	LIST PRICE
WC1503	15 SERIES WOOD CHIPPER - 3" Capacity	368#	458#	\$ 3,594
ADD OPTION NO.	COLOR OPTION (No Option=Buckskin)			
-82	Orange			

WC1504 Series Wood Chippers

RETURN TO INDEX

20-50 HP



Hitch: Cat. 1, Quick Hitch Compatible
 Chip Capacity*: 4"
 Upper Hitch Plate Thickness: 5/16"
 Main Frame Thickness: 3/16"
 Rotor Housing Thickness: 3/16"
 Rotor Size: 25"
 Rotor Speed: 540 rpm (Direct Drive)
 PTO Speed: 540 rpm
 Driveline Category: Cat. 4 Shear Bolt
 Hopper Inlet Opening: 20" x 20"
 Chipper Inlet Opening: 10" x 4"
 Spout Discharge Opening: 5-1/4"
 Cutting Knife: Reversible and Replaceable
 Number of Knives: 4
 Knife Size: 6" x 2" x 1/4"
 Knife Material: Hardened Steel
 Feed System: Self Feed
 Feed Height Above Ground: 24"-30"
 w/Adjustable Support Stands
 Chip Chute Position: 270 Degrees
 Discharge Height: 58" - 64"

* Min. 35 HP for Maximum Capacity

Material Handling

YOU MUST ADD 11% SURCHARGE TO PRICES AS OF 8/4/21

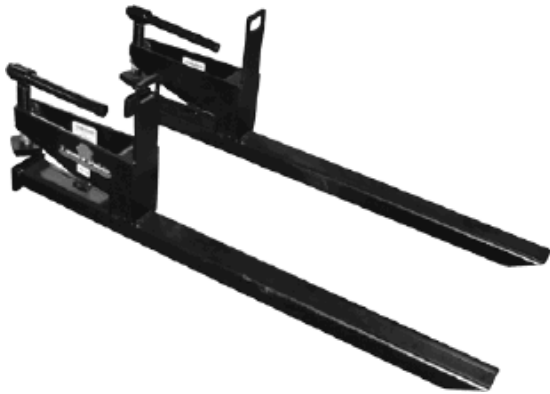
MODEL NUMBER	DESCRIPTION	APPROX. MACHINE WEIGHT	SHIPPING WEIGHT	LIST PRICE
WC1504	15 SERIES WOOD CHIPPER - 4" Capacity	464#	556#	\$ 4,234
ADD OPTION NO.	COLOR OPTION (No Option=Buckskin)			
-82	Orange			

PF10 & PF20 Series Pallet Forks

RETURN TO INDEX

Bucket Mounted

Material Handling



Lift Capacity, per Set
 PF10: 1,000 lbs.
 PF20: 2,000 lbs.
 Fork Tine Length
 PF10: 31⁵/₈"
 PF20: 35⁵/₈"
 Fork Tine Width: 3"
 Fork Tine Thickness: 2"
 Vertical Throat Opening: 1¹/₂"
 Horizontal Throat Depth: 10³/₄"

For Quick-Attach Models, see pg. 155

YOU MUST ADD 11% SURCHARGE TO PRICES AS OF 8/4/21

MODEL NUMBER	DESCRIPTION	APPROX. MACHINE WEIGHT	SHIPPING WEIGHT	LIST PRICE PER FORK
PF10	10 SERIES PALLET FORK - ONE FORK 1,000 lb. capacity/pair	45#	50#	\$ 269
PF20	20 SERIES PALLET FORK - ONE FORK 2,000 lb. capacity/pair	55#	60#	\$ 341

SHIPMENT: Pallet Forks are packaged 2 forks per model. You must order a minimum of 12 forks for shipment on a Land Pride Truck. You may split the 12 forks by model in groups of 6 forks. (i.e. 6 PF10 forks and 6 PF20 forks)

Orders for less than 12 forks are only available for LTL shipment.

SERIAL NUMBER: Each fork has a serial number.

PRICING: Price is for ONE PALLET FORK. You MUST order Qty. 2 to get a pair. We price them this way because each fork is serialized. Each fork being serialized will help with:

- 1) Inventory Control
- 2) Able to use any two when selling a pair
- 3) Finance packaging
- 4) Floorplan terms
- 5) Selling a set of 3 when requested

PFL12 Series Pallet Forks

RETURN TO INDEX

1,200 lbs. Carrying Capacity

Material Handling



Class I Fork
 Fork Dimensions: 42"L x 1.25"D x 3" W
 Backframe Guard: 3/16"
 Fork Position Lock: Spring Loaded Toggle

NOT AVAILABLE WITH NAME PLATES

YOU MUST ADD 11% SURCHARGE TO PRICES AS OF 8/4/21

MODEL NUMBER	DESCRIPTION	APPROX. WEIGHT	SHIPPING WEIGHT	LIST PRICE
PFL1242	12 SERIES UNIVERSAL QUICK-ATTACH PALLET FORKS - 42" Forks 1,200 lbs Carrying Capacity	228#	260#	\$ 778

3-Pak Only

PFL20 Series Pallet Forks

2,100 lbs. Carrying Capacity



Class II Fork
 Fork Dimensions: 42"L x 1.25"D x 3" W
 Backframe Guard: 3/16"
 Fork Position Lock: Spring Loaded Toggle

YOU MUST ADD 11% SURCHARGE TO PRICES AS OF 8/4/21

MODEL NUMBER	DESCRIPTION	APPROX. WEIGHT	SHIPPING WEIGHT	LIST PRICE
PFL2042	20 SERIES UNIVERSAL QUICK-ATTACH PALLET FORKS - 42" Forks 2,100 lbs Carrying Capacity	282#	306#	\$ 1,077

Packed in Qty of 3 same size Units

Quantity less than 3 Units, or those not included in multiple of 3,
 Add OPTION -99

ADD \$ 72

Also Available: Tractor Mounted Pallet Forks page 156

PFL30 Series Pallet Forks

RETURN TO INDEX

3,000 lbs. Carrying Capacity



Fork Dimensions: PFL3042: 42"L x 1 1/4"D x 4"W
 PFL3048: 48"L x 1 1/4"D x 4"W
 Backframe Guard: 3/16"
 Fork Position Lock: Spring Loaded Toggle

Material Handling

YOU MUST ADD 11% SURCHARGE TO PRICES AS OF 8/4/21

MODEL NUMBER	DESCRIPTION	APPROX. WEIGHT	SHIPPING WEIGHT	LIST PRICE
PFL3042	30 SERIES UNIVERSAL QUICK-ATTACH PALLET FORKS - 42" Forks 3,000 lbs Carrying Capacity	340#	388#	\$ 1,160
PFL3048	30 SERIES UNIVERSAL QUICK-ATTACH PALLET FORKS - 48" Forks 3,000 lbs Carrying Capacity	358#	406#	\$ 1,202
	Quantity less than 3 Units, or those not included in multiple of 3, Add OPTION -99		ADD	\$ 72

Packed in Qty of 3 same size Units

PFLE45 Series Pallet Forks

4,500 lbs. Carrying Capacity

Fork Dimensions: 48"L x 1 1/2"D x 4"W
 Fork Position Lock: Spring Loaded Toggle
 Frame Size: 46"W x 38 1/2"H
 Fork Size: 1 1/2" x 4" ITA Class II
 Adjustable Fork Width: 8"-44"
 Skid Resistant Step

YOU MUST ADD 11% SURCHARGE TO PRICES AS OF 8/4/21

temporarily suspended

MODEL NUMBER	DESCRIPTION	APPROX. WEIGHT	SHIPPING WEIGHT	LIST PRICE
PFLE4548-93	45 SERIES EURO MOUNT PALLET FORKS - 48" Forks 4,500 lbs Carrying Capacity	422#	470#	\$ 1,333
	Quantity less than 3 Units, or those not included in multiple of 3, Add OPTION -99		ADD	\$ 77

Packed in Qty of 3 same size Units

Also Available: Tractor Mounted Pallet Forks page 157

PFLE55 Series Pallet Forks

RETURN TO INDEX

5,500 lbs. Carrying Capacity @ 24"

Fork Dimensions:

PFLE5548: 48"L x 1³/₄"D x 4" W

PFLE5560: 60"L x 1³/₄"D x 4" W

Fork Position Lock: Spring Loaded Toggle

Frame Size: 46"W x 37"H

Fork Size: 1³/₄" x 4" ITA Class II

Adjustable Fork Width: 8"-44"

Skid Resistant Step



YOU MUST ADD 11% SURCHARGE TO PRICES AS OF 8/4/21

Material Handling

MODEL NUMBER	DESCRIPTION	APPROX. WEIGHT	SHIPPING WEIGHT	LIST PRICE
temporarily suspended PFLE5548-93	55 SERIES EURO MOUNT PALLET FORKS - 48" Forks 5,500 lbs Carrying Capacity, Universal Quick-Attach	466#	488#	\$ 1,515
temporarily suspended PFLE5560-93	55 SERIES EURO MOUNT PALLET FORKS - 60" Forks 5,500 lbs Carrying Capacity, Universal Quick-Attach	492#	514#	\$ 1,749
<p>PACKED IN QTY of 3 SAME SIZE UNITS</p> <p>Quantity less than 3 Units, or those not included in multiple of 3, DELETE -93 and ADD OPTION -99</p>			ADD	\$ 77

PFL(E)64 Series Pallet Forks

6,400 lbs. Carrying Capacity @ 24"

Fork Dimensions:

PFL6448: 48"L x 1³/₄"D x 4³/₄" W

PFL6460: 60"L x 1³/₄"D x 4³/₄" W

Fork Position Lock: Spring Loaded Toggle

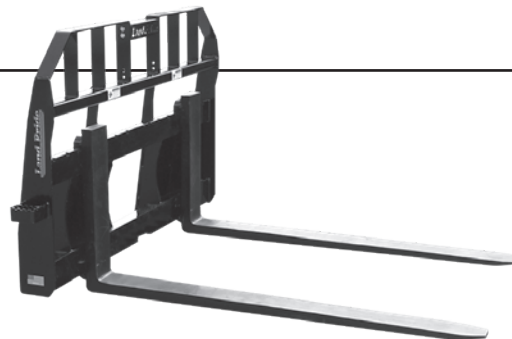
Frame Size: 60¹/₂"W x 38¹/₂"H

Fork Size: 1³/₄" x 4³/₄" ITA Class III

Hitch: Universal Quick-Attach

Adjustable Fork Width: 8"-58¹/₂"

Skid Resistant Step



YOU MUST ADD 11% SURCHARGE TO PRICES AS OF 8/4/21

MODEL NUMBER	DESCRIPTION	APPROX. WEIGHT	SHIPPING WEIGHT	LIST PRICE
PFL6448	64 SERIES PALLET FORKS - 48" Forks 6,400 lbs Carrying Capacity	662#	684#	\$ 1,962
temporarily suspended PFLE6448	64 SERIES EURO MOUNT PALLET FORKS - 48" Forks 6,400 lbs Carrying Capacity	686#	708#	\$ 2,009
PFL6460	64 SERIES PALLET FORKS - 60" Forks 6,400 lbs Carrying Capacity	720#	744#	\$ 2,116
temporarily suspended PFLE6460	64 SERIES EURO MOUNT PALLET FORKS - 60" Forks 6,400 lbs Carrying Capacity	741#	765#	\$ 2,169

Also Available: Tractor Mounted Pallet Forks page 158

BS10 & BSE10 Series Bale Spears

RETURN TO INDEX

Material Handling



BSE10 Shown

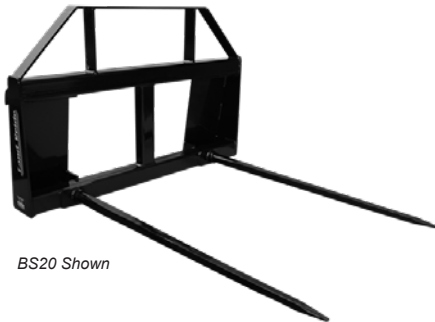
Universal Quick-Attach or Euro Mount
 Lift Capacity: 1,800 lbs at 24" from Face of Frame
 Spear Length: 45" Upper, 19" Lower
 Spear Construction: Forged

YOU MUST ADD 11% SURCHARGE TO PRICES AS OF 8/4/21

MODEL NUMBER	DESCRIPTION	APPROX. MACHINE WEIGHT	SHIPPING WEIGHT	LIST PRICE
BS10-91	10 SERIES BALE SPEAR - SINGLE	166#	176#	\$ 633
BS10-93	10 SERIES BALE SPEAR - 3-PAK	137#	166#	\$ 601
BSE10-91	10 SERIES BALE SPEAR - SINGLE	178#	188#	\$ 710
BSE10-93	10 SERIES BALE SPEAR - 3-PAK	147#	178#	\$ 678

3-PAKS are Same Model Units

BS20 & BSE20 Series Bale Spears



BS20 Shown

Universal Quick-Attach or Euro Hitch
 Lift Capacity: 2,500 lbs at 24" From Face of Frame
 Usable Spear Length: 45"
 Spear Construction: Forged

YOU MUST ADD 11% SURCHARGE TO PRICES AS OF 8/4/21

MODEL NUMBER	DESCRIPTION	APPROX. MACHINE WEIGHT	SHIPPING WEIGHT	LIST PRICE
BS20-91	20 SERIES BALE SPEAR - SINGLE	206#	216#	\$ 813
BS20-93	20 SERIES BALE SPEAR - 3-PAK	177#	206#	\$ 781
BSE20-91	20 SERIES BALE SPEAR - SINGLE	218#	228#	\$ 874
BSE20-93	20 SERIES BALE SPEAR - 3-PAK	187#	218#	\$ 841

3-PAKS are Same Model Units

BS30 & BSE30 Series Bale Spears

RETURN TO INDEX

Material Handling



Universal Quick-Attach or Euro Mount
 Lift Capacity: 3,000 lbs at 24" from Face of Frame
 Spear Construction: Forged
 Spear Length: 32", 39", 49"
 Usable Spear Length: 28", 35", 45"

YOU MUST ADD 11% SURCHARGE TO PRICES AS OF 8/4/21

MODEL NUMBER	DESCRIPTION	APPROX. MACHINE WEIGHT	SHIPPING WEIGHT	LIST PRICE
BS30-91	30 SERIES BALE SPEAR - SINGLE	164#	184#	\$ 705
BS30-93	30 SERIES BALE SPEAR - 3-PAK	164#	527#	\$ 658
temporarily suspended BSE30-91	30 SERIES BALE SPEAR - SINGLE, EURO-MOUNT	196#	206#	\$ 751
temporarily suspended BSE30-93	30 SERIES BALE SPEAR - 3-PAK, EURO-MOUNT	186#	593#	\$ 704

ADD OPTION YOU MUST CHOOSE A SPEAR OPTION

-11	3 32" Spears (319-108A)	44#	44#	\$ 191
-12	3 39" Spears (319-109A)	50#	50#	\$ 236
-13	3 49" Spears (319-110A)	63#	63#	\$ 280

ADD OPTION

-31	61.4" Extensions with 19" Spikes (319-106A)	70#	70#	\$ 236
-----	---	-----	-----	--------

3-PAKS are Same Model Units

BS40 & BSE40 Series Bale Spears



Universal Quick-Attach or Euro Hitch
 Lift Capacity: 3,000 lbs at 24" From Face of Frame
 Spear Length: 32", 39", 49", 49" with 19" Spikes
 Usable Spear Length: 28", 35", 45", 45" with 15" Spikes
 Spear Construction: Forged

YOU MUST ADD 11% SURCHARGE TO PRICES AS OF 8/4/21

MODEL NUMBER	DESCRIPTION	APPROX. MACHINE WEIGHT	SHIPPING WEIGHT	LIST PRICE
BS40-91	40 SERIES BALE SPEAR - SINGLE	171#	191#	\$ 758
BS40-93	40 SERIES BALE SPEAR - 3-PAK	171#	548#	\$ 711
temporarily suspended BSE40-91	40 SERIES BALE SPEAR - SINGLE, EURO-MOUNT	193#	213#	\$ 801
temporarily suspended BSE40-93	40 SERIES BALE SPEAR - 3-PAK, EURO-MOUNT	193#	614#	\$ 754

3-PAKS are Same Model Units

ADD OPTION YOU MUST CHOOSE A SPEAR OPTION

-10	49" Spear with 2 19" Spikes (319-107A)	38#		\$ 165
-12	3 39" Spears (319-109A)	50#		\$ 236
-14	1 49" Spear and 3 32" Spears (319-125A)	66#		\$ 280
-15	1 49" Spear and 3 39" Spears (319-126A)	72#		\$ 327

ADD OPTION

-31	61.4" Extensions with 19" Spikes (319-106A)	70#		\$ 236
-----	---	-----	--	--------

BS50 & BSE50 Series Bale Spears

RETURN TO INDEX

Material Handling



Universal Quick-Attach or Euro Mount
 Lift Capacity: 4,000 lbs at 24" from Face of Frame
 Spear Length: 32", 39", 49"
 Usable Spear Length: 28", 35", 45"
 Spear Construction: Forged

YOU MUST ADD 11% SURCHARGE TO PRICES AS OF 8/4/21

MODEL NUMBER	DESCRIPTION	APPROX. MACHINE WEIGHT	SHIPPING WEIGHT	LIST PRICE
BS50-91	50 SERIES BALE SPEAR - SINGLE	201#	223#	\$ 821
BS50-93	50 SERIES BALE SPEAR - 3-PAK	201#	638#	\$ 774
BSE50-91	50 SERIES BALE SPEAR - SINGLE, EURO-MOUNT	223#	246#	\$ 866
BSE50-93	50 SERIES BALE SPEAR - 3-PAK, EURO-MOUNT	223#	704#	\$ 820

temporarily suspended

3-PAKS are Same Model Units

ADD OPTION	YOU MUST CHOOSE A SPEAR OPTION			
-16	4 32" Spears (319-115A)	60#		\$ 258
-17	4 39" Spears (319-116A)	67#		\$ 315
-18	4 49" Spears (319-117A)	85#		\$ 374
ADD OPTION				
-31	61.4" Extensions with 19" Spikes (319-106A)	70#		\$ 236

BSR10 Series Bale Spears

RETURN TO INDEX



Hitch: 3-Pt Cat. 1 or 2
 Lift Capacity: 1,800 lbs at 24" from Face of Frame
 Spear Length: 44" Useable Upper, 19" Lower
 Spear Construction: Forged

Material Handling

YOU MUST ADD 11% SURCHARGE TO PRICES AS OF 8/4/21

MODEL NUMBER	DESCRIPTION	APPROX. MACHINE WEIGHT	SHIPPING WEIGHT	LIST PRICE
BSR10	10 SERIES 3-PT BALE SPEAR	106#	126#	\$ 459

Must be Ordered in Quantities of 4

BSR20, BSR30 & BSR40 Series Bale Spears



BSR40 Shown

Hitch: 3-Pt Cat. 2 or 3
 Lift Capacity at 24" From Face of Frame:
 BSR20 & BSR30 - 3,000 lbs; BSR40: 4,000 lbs
 Usable Spear Length:
 44" on BSR20 & BSR40; Varies on BSR30
 Spear Construction: Forged

YOU MUST ADD 11% SURCHARGE TO PRICES AS OF 8/4/21

MODEL NUMBER	DESCRIPTION	APPROX. MACHINE WEIGHT	SHIPPING WEIGHT	LIST PRICE
BSR20	20 SERIES BALE SPEAR	152#	173#	\$ 649
BSR30-11	30 SERIES 3 PT BALE SPEAR 32" SPEARS (27" USABLE)	164#	185#	\$ 896
BSR30-12	30 SERIES 3 PT BALE SPEAR 39" SPEARS (34" USABLE)	170#	191#	\$ 941
BSR30-13	30 SERIES 3 PT BALE SPEAR 49" SPEARS (44" USABLE)	183#	204#	\$ 985
BSR40	40 SERIES 3 PT BALE SPEAR	260#	282#	\$ 1,297

temporarily suspended

temporarily suspended

Must be ordered in quantities of 2

WB10 Weight Box

RETURN TO INDEX

Up to 47 HP



Quick-Hitch Compatible
Cat I 3-Point Hitch
Capacity: up to 600 lbs
Volume: 4 cu. ft.

ORANGE ONLY

Material Handling

YOU MUST ADD 11% SURCHARGE TO PRICES AS OF 8/4/21

<u>MODEL NUMBER</u>	<u>DESCRIPTION</u>	<u>APPROX. MACHINE WEIGHT</u>	<u>SHIPPING WEIGHT</u>	<u>LIST PRICE</u>
WB10-93	10 SERIES WEIGHT BOX, 3-PACK	324#	406#	\$ 623

BG/BGE2400 Series Bale Grabber

RETURN TO INDEX

Material Handling



Height: 46"
 Opening: 92"
 3 x 16 x 1.5 Welded Cylinder
 Euro or Skid Hitch
 3" x 3/16" Tubes
 Optional Counter Balance Valve
 Black Only

YOU MUST ADD 11% SURCHARGE TO PRICES AS OF 8/4/21

temporarily suspended

MODEL NUMBER	DESCRIPTION	APPROX. MACHINE WEIGHT	SHIPPING WEIGHT	LIST PRICE
BG2400	ROUND BALE GRABBER Universal Skid Hitch	585#	681#	\$ 2,766
BGE2400	ROUND BALE GRABBER Euro Hitch	605#	700#	\$ 2,766
ADD OPTION NO.				
You MUST Choose a Valve				
-31	Cylinder 3 x 16 x 1.5 (319-155A)	39#	39#	\$ 395
-32	Cylinder 3 x 16 x 1.5 and Counter Balance Valve (319-177A)	42#	42#	\$ 526
You MUST Choose a Hose Kit				
-41	Skid Steer Hose Kit, 3/8" (319-176A)	30#	30#	\$ 219
-42	Tractor Hose Kit, 24' (319-209A)	10#	10#	\$ 166
-43	Hose Kit, 3rd Function to Bulk Head (319-175A)	10#	10#	\$ 79

SGC05 Series Claw Grapple

RETURN TO INDEX

BX Tractor only



Width: 48", 54"
 Closed Height: 26-1/2"
 Number of Bottom Teeth: 6, 7
 Number of Top Teeth: 5, 6
 Spacing of Teeth: 9-3/8"
 Tooth Thickness: 1/4"
 Working Length of Teeth: 8³/₈"
 Hydraulic Cylinder: 2 Qty, 2" x 4" x 1¹/₈"
 Max. Jaw Opening: 30"
 Tine Material: High Tensile AR400

Material Handling

YOU MUST ADD 11% SURCHARGE TO PRICES AS OF 8/4/21

MODEL NUMBER	DESCRIPTION	APPROX. MACHINE WEIGHT	SHIPPING WEIGHT	LIST PRICE
SGC0548-91	05 SERIES CLAW GRAPPLE - 48" Width Single Unit	220#	231#	\$ 1,490
SGC0548-93	05 SERIES CLAW GRAPPLE - 48" Width 3-Pack	220#	231#	\$ 1,427

NOTE: SGC0548 fits 60 and 70 Series BX Quick Hitch and 60, 70 and 80 Series BX direct pin on.

OPTIONS

-12	Hose Kit for <u>KUBOTA</u> 3rd Function (380-298A) (Hoses from Bulkhead to Grapple)		8#	\$ 93
-13	Hose Kit for <u>LAND PRIDE</u> 3rd Function FF Couplers (380-338A) (Hoses from Bulkhead to Grapple)		5#	\$ 108
-39	Adaptor Kit for <u>KUBOTA</u> 3rd Function		2#	\$ 29
-72	BX80 Loader Arm Pin-On Kit (380-296A)		2#	\$ 16
-73	Direct Loader Pin Kit for Kubota BX60 & BX70 (380-146A)		2#	\$ 16

MODEL NUMBER	DESCRIPTION	APPROX. MACHINE WEIGHT	SHIPPING WEIGHT	LIST PRICE
SGC0554-91	05 SERIES CLAW GRAPPLE - 54" Width Single Unit 2-Lever Quick-Attach Hitch	225#	236#	\$ 1,783
SGC0554-93	05 SERIES CLAW GRAPPLE - 54" Width 3-Pack 2-Lever Quick-Attach Hitch	225#	236#	\$ 1,719

NOTE: SGC0554 is only for the Kubota 80 Series BX Tractors with 2 lever hitch plates.

OPTIONS

-39	Adaptor Kit for <u>Kubota</u> 80 Series 3rd Function Valve (380-281A)		2#	\$ 29
-----	---	--	----	-------

Accessories

380-337A	3rd Function Valve Kit Flat Face Coupler- Kubota BX60 and BX70		19#	\$ 832
380-339A	3rd Function Valve Kit Flat Face Coupler - Kubota BX80		20#	\$ 870
380-137A	3rd Function Valve Kit Pioneer Coupler- Kubota BX60 & BX70			\$ 832

CB05 Series Combination Buckets

RETURN TO INDEX

Material Handling

Up to 28 HP



Width: 50"
 Closed Height: 20-1/2"
 Max. Jaw Opening: 30"
 Bucket Depth: 21"
 Cutting Edges: 3/8" x 3"
 Side Panels: 3/16"
 Bottom and Back Plate: 10 Gauge
 Hydraulic Cylinder: 2 Qty, 2" x 6" x 1-1/8"
 Hydraulic Cylinder Rating: 2,500 PSI
 Hinge Points: 1" Pins

NOTE: Fits 60 and 70 Series BX Quick Hitch and 60, 70 and 80 Series BX direct pin on.

Available only in ORANGE

YOU MUST ADD 11% SURCHARGE TO PRICES AS OF 8/4/21

MODEL NUMBER	DESCRIPTION	APPROX. MACHINE WEIGHT	SHIPPING WEIGHT	LIST PRICE
CB0550-82	05 SERIES COMBINATION BUCKET - 50"	266#	286#	\$ 2,362
OPTIONS				
-12	Hose Kit for <u>KUBOTA</u> 3rd Function (380-298A) (Hoses from Bulkhead to Grapple)		8#	\$ 93
-13	Hose Kit for <u>LAND PRIDE</u> 3rd Function FF Couplers (380-338A) (Hoses from Bulkhead to Grapple)		5#	\$ 108
-39	Adaptor Kit for <u>KUBOTA</u> 3rd Function (380-281A)			\$ 29
-72	BX80 Loader Arm Pin-On Kit (380-296A)		2#	\$ 16
-73	Direct Loader Pin Kit for BX60 & BX70 (380-146A)		2#	\$ 16
Accessories				
380-337A	3rd Function Valve Kit Flat Face Coupler - Kubota BX60 and BX70		19#	\$ 832
380-339A	3rd Function Valve Kit Flat Face Coupler - Kubota BX80		20#	\$ 870
380-137A	3rd Function Valve Kit Pioneer Coupler- Kubota BX60 & BX70			\$ 832

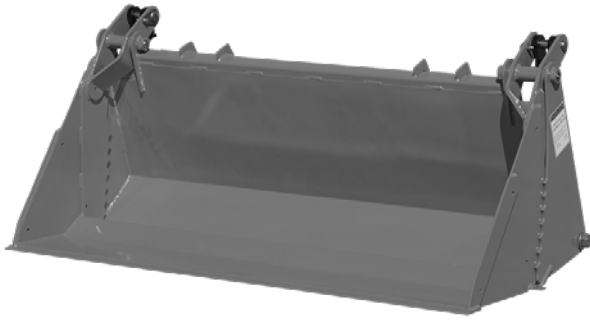
temporarily suspended

CB10 Series Combination Buckets

RETURN TO INDEX

Up to 40 HP

Material Handling



Hitch: Universal Quick-Attach Skid Plate
 Width: 60"
 Closed Height: 20-1/2"
 Max. Jaw Opening: 28"
 Bucket Depth: 21"
 Cutting Edges: 3/8" x 3"
 Side Panels: 3/16"
 Jaw Bottom Plates: 10 Gauge, Grade 80
 Hydraulic Cylinder: 2 Qty, 2" x 6" x 1-1/8"
 Hydraulic Cylinder Rating: 3,000 PSI
 Hinge Points: 1" Pins w/Hardened Bushings
 3000 lb. Clamping Force @ 2250 psi
 Capacity: 10 cu.ft. Heaped
 7.8 cu.ft. Struck

Available only in ORANGE

YOU MUST ADD 11% SURCHARGE TO PRICES AS OF 8/4/21

MODEL NUMBER	DESCRIPTION	APPROX. MACHINE WEIGHT	SHIPPING WEIGHT	LIST PRICE
CB1060-82	10 SERIES COMBINATION BUCKET - 60"	363#	388#	\$ 2,694
OPTIONS				
-12	Hose Kit for 3rd Function, Pioneer Couplers, 44" (380-150A) (Hoses from Bulkhead to Grapple)		5#	\$ 125
-13	Hose Kit for 3rd Function, Flat Face Couplers, 44" (380-332A) (Hoses from Bulkhead to Grapple)		5#	\$ 125
Accessories				
380-093A	3rd Function Valve Kit Pioneer Coupler- Kubota B3300		15#	\$ 821
380-168A	3rd Function Valve Kit Pioneer Coupler- Kubota B3350		22#	\$ 849
380-152A	3rd Function Valve Kit Pioneer Coupler- Kubota L3301		22#	\$ 821
380-333A	3rd Function Valve Kit Flat Face Coupler- Kubota B3300			\$ 821
380-335A	3rd Function Valve Kit Flat Face Coupler- Kubota B2650, B3350 & B3300			\$ 849
380-348A	3rd Function Valve Kit Pioneer Coupler- Kubota LX2610			\$ 843
380-344A	3rd Function Valve Kit Flat Face Coupler - Kubota LX3310			\$ 843
380-336A	3rd Function Valve Kit Flat Face Coupler- Kubota L3200, L3800, L2501, L3301, L3901, L4600, L4701			\$ 821

SGC06 Series Claw Grapple

RETURN TO INDEX

40 HP & Below



Width: 62"
 Closed Height: 30"
 Number of Bottom Teeth: 7
 Number of Top Teeth: 6
 Spacing of Teeth: 9-3/8"
 Tooth Thickness: 5/16"
 Working Length of Teeth: 9"
 Hydraulic Cylinder: 2 Qty, 2" x 6" x 1 1/8"
 Max. Jaw Opening: 32"
 Tine Material: High Tensile AR400



NOTE: NOT for Skid Steer Use

Material Handling

YOU MUST ADD 11% SURCHARGE TO PRICES AS OF 8/4/21

MODEL NUMBER	DESCRIPTION	APPROX. MACHINE WEIGHT	SHIPPING WEIGHT	LIST PRICE
SGC0660-70	06 SERIES CLAW GRAPPLE - 60" Width No Mount - Dealer Installs	220#	248#	\$ 1,911
SGC0660-71	06 SERIES CLAW GRAPPLE - 60" Width Universal Quick-Attach	252#	310#	\$ 1,986
OPTIONS				
-12	Hose Kit for 3rd Function, Pioneer Couplers, 44" (380-150A) B3300/LA504, B3350/B2650, L3301, L3901, L3200, L3800		5#	\$ 125
-14	Hose Kit for 3rd Function, Flat Face Couplers, 44" (380-332A) (Hose from Bulkhead to Grapple)		5#	\$ 125
-15	Hose Kit for 3rd Function, Flat Face Couplers, 34" (380-341A) (Hose from Bulkhead to Grapple)		5#	\$ 108
ACCESSORIES				
380-093A	3rd Function Valve Kit - Kubota B3300		20#	\$ 821
380-168A	3rd Function Valve Kit - Kubota B2650/3350		22#	\$ 849
380-152A	3rd Function Valve Kit - Kubota L00 and L01 L2501, L3301, L3901, L3200, L3800		22#	\$ 821
380-354A	3rd Function Valve Kit Flat Face Coupler - Kubota B01			\$ 849
380-333A	3rd Function Valve Kit Flat Face Coupler - Kubota B3300			\$ 821
380-335A	3rd Function Valve Kit Flat Face Coupler - Kubota B2650, B3350, B3300			\$ 849
380-348A	3rd Function Valve Kit Pioneer Coupler - Kubota LX Models			\$ 843
380-344A	3rd Function Valve Kit Flat Face Coupler - Kubota LX Models			\$ 843
380-336A	3rd Function Valve Kit Flat Face Coupler - Kubota L3200, L3800, L2501, L3301, L3901, L4600, L4701			\$ 821

SGC10 Series Claw Grapple

RETURN TO INDEX

30-55 HP



Closed Height: 33"
 Number of Bottom Teeth: 10, 12
 Number of Top Teeth: 9, 11
 Spacing of Teeth: 6"
 Tooth Thickness: 1/2" Outer; 3/8" Inner
 Working Length of Teeth: 11 1/4"
 Hydraulic Cylinder: 2 Qty, 2" x 6" x 1 1/8" Rod
 Max. Jaw Opening: 39 3/4"
 Tine Material: High Tensile AR400

NOTE: Not Intended for Skid Steer Use
 *Does not include hoses or fittings from product to loader



Material Handling

YOU MUST ADD 11% SURCHARGE TO PRICES AS OF 8/4/21

MODEL NUMBER	DESCRIPTION	APPROX. MACHINE WEIGHT	SHIPPING WEIGHT	LIST PRICE
SGC1060-70	10 SERIES CLAW GRAPPLE - 61" Width No Mount - Dealer Installs	376#	395#	\$ 3,203
SGC1072-70	10 SERIES CLAW GRAPPLE - 74" Width No Mount - Dealer Installs	423#	485#	\$ 3,375
SGC1060-71	10 SERIES CLAW GRAPPLE - 61" Width Universal Quick-Attach	410#	429#	\$ 3,421
SGC1072-71	10 SERIES CLAW GRAPPLE - 74" Width Universal Quick-Attach	447#	510#	\$ 3,599
OPTIONS				
-12	Hose Kit for 3rd Function, Pioneer Couplers, 44" (380-150A) (Hoses from Bulkhead to Grapple)		5#	\$ 125
-13	Hose Kit for 3rd Function, Flat Face Couplers 44" (380-332A) (Hoses from Bulkhead to Grapple)		5#	\$ 125
-14	Hose Kit for 3rd Function, Pioneer Couplers, 51" (380-381A) (Hoses from Bulkhead to Grapple)		7#	\$ 128
-15	Hose Kit for 3rd Function, Flat Face Couplers 51" (380-382A) (Hoses from Bulkhead to Grapple)		7#	\$ 128
ACCESSORIES				
380-147A	Weld-on B Series Mounting Kit	32#	32#	\$ 174
380-093A	3rd Function Valve Kit - Kubota B3300		20#	\$ 821
380-152A	3rd Function Valve Kit - Kubota L2501/L3301/L3901/L4701/L3200/L3800		22#	\$ 821
380-166A	3rd Function Valve Kit - Kubota MX4700/4800/5100/5200/5800		21#	\$ 849
380-168A	3rd Function Valve Kit - Kubota B2650/3350		22#	\$ 849
380-333A	3rd Function Valve Kit Flat Face Coupler - Kubota B3300			\$ 821
380-335A	3rd Function Valve Kit Flat Face Coupler - Kubota B2650, B3350, B3300			\$ 849
380-348A	3rd Function Valve Kit Pioneer Coupler - Kubota LX2610			\$ 843
380-344A	3rd Function Valve Kit Flat Face Coupler - Kubota LX3310			\$ 843
380-336A	3rd Function Valve Kit Flat Face Coupler - Kubota L3200, L3800, L2501, L3301, L3901, L4600, L4701			\$ 821
380-311A	3rd Function Valve Kit Flat Face Coupler - Kubota MX5400			\$ 1,141
380-312A	3rd Function Valve Kit Flat Face Coupler - Kubota MX5400			\$ 984
380-330A	3rd Function Valve Kit Pioneer Coupler - Kubota MX5400			\$ 1,125
380-331A	3rd Function Valve Kit Pioneer Coupler - Kubota MX5400			\$ 968
380-334A	3rd Function Valve Kit Flat Face Coupler - Kubota MX4700, MX4800, MX5100, MX5200, MX5800			\$ 849

SGC15 Series Claw Grapple

RETURN TO INDEX

50-135 HP



Closed Height: 39"
 Number of Bottom Teeth: 10, 12, 14
 Number of Top Teeth: 9, 11, 13
 Spacing of Teeth: 6"
 Tooth Thickness: 1/2"
 Working Length of Teeth: 12 7/8"
 Hydraulic Cylinder: 2 Qty, 3" x 10" x 1 1/4" Rod
 Max. Jaw Opening: 50"
 Tine Material: High Strength Grade 80 Material

*Does not include hoses or fittings from product to loader

Material Handling

YOU MUST ADD 11% SURCHARGE TO PRICES AS OF 8/4/21

MODEL NUMBER	DESCRIPTION	APPROX. MACHINE WEIGHT	SHIPPING WEIGHT	LIST PRICE
SGC1560	15 SERIES CLAW GRAPPLE - 63" Width	796#	896#	\$ 4,414
SGC1572	15 SERIES CLAW GRAPPLE - 74" Width	944#	1,066#	\$ 4,850
SGC1584	15 SERIES CLAW GRAPPLE - 86" Width	999#	1,099#	\$ 5,347
ADD OPTION NO				
-11	Hoses & Flat Face Fitting Bundle 76" (380-063A)	9#	9#	\$ 259
-12	Hose Kit for 3rd Function, Pioneer Couplers, 44" (380-150A) (Hoses from Bulkhead to Grapple)	5#	5#	\$ 125
-13	Hose Kit for 3rd Function Valve, Flat Face Couplers, 44" (380-332A) (Hoses from Bulkhead to Grapple)		5#	\$ 125
ACCESSORIES				
380-166A	3rd Function Valve Kit - Kubota MX4700/4800/5100/5200/5800		20#	\$ 849
380-311A	3rd Function Valve Kit Flat Face Couplers - Kubota MX5400 & MX6000 with Cab			\$ 1,141
380-312A	3rd Function Valve Kit Flat Face Couplers - Kubota MX5400 & MX6000 with Rops			\$ 984
380-330A	3rd Function Valve Kit Pioneer Couplers - Kubota MX5400 & MX6000 with Cab			\$ 1,125
380-331A	3rd Function Valve Kit Pioneer Couplers - Kubota MX5400 & MX6000 with Rops			\$ 968
380-334A	3rd Function Valve Kit Flat Face Couplers - Kubota MX4700, MX4800, MX5100, MX5200, MX5800			\$ 849

SSB15 Series Skeleton Buckets

[RETURN TO INDEX](#)

50-135 HP



Height: 21½"
 Number of Teeth: 12, 14
 Spacing of Teeth: 5½"
 Tooth Thickness: ¾"
 Working Length of Teeth: 35"
 Tine Material: High Strength Grade 80 Material

Material Handling

YOU MUST ADD 11% SURCHARGE TO PRICES AS OF 8/4/21

temporarily suspended

MODEL NUMBER	DESCRIPTION	APPROX. MACHINE WEIGHT	SHIPPING WEIGHT	LIST PRICE
SSB1578	15 SERIES SKELETON BUCKET - 78" Width	583#	601#	\$ 2,105
ACCESSORIES				
380-057A	Bolt-on End Panels	63#	63#	\$ 186

MUST BE ORDERED AS TWO PACKS, SAME SIZE

SGS15 Series Skeleton Grapples

RETURN TO INDEX

50-135 HP



Closed Height: 30³/₄"
 Number of Bottom Teeth: 12, 14
 Spacing of Teeth: 5¹/₂"
 Tooth Thickness: ³/₈"
 Working Length of Teeth: 35"
 Hydraulic Cylinder: 2" x 8" x 1¹/₄" Rod
 Max. Jaw Opening: 37"
 Tine Material: High Strength Grade 80 Material

*Does not include hoses or fitting

Material Handling

YOU MUST ADD 11% SURCHARGE TO PRICES AS OF 8/4/21

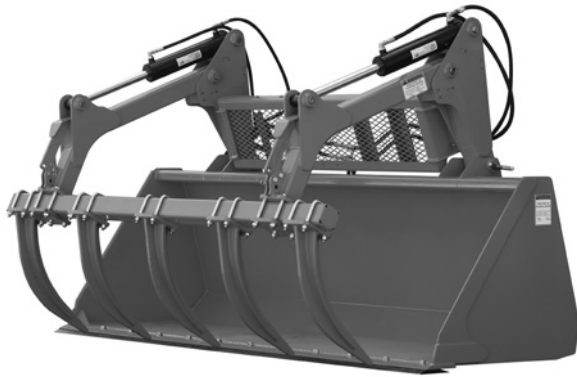
MODEL NUMBER	DESCRIPTION	APPROX. MACHINE WEIGHT	SHIPPING WEIGHT	LIST PRICE
SGS1566-01	15 SERIES SKELETON GRAPPLE - 66" Width	680#	694#	\$ 4,235
SGS1578-01	15 SERIES SKELETON GRAPPLE - 78" Width	732#	746#	\$ 4,429
ADD OPTION NO.				
-11	Hose Kit with FF Couplers for Skid Steer (380-061A)	20#	20#	\$ 259
-12	Hose Kit for 3rd Function, Pioneer Couplers, 44" (Hoses from Bulkhead to Grapple) (380-150A)	5#	5#	\$ 125
-13	Hose Kit for 3rd Function, Flat Face Couplers, 44" (Hoses from Bulkhead Grapple) (380-332A)		5#	\$ 125
-21	Hydraulic Cylinder Shields -2 each (380-023A)	34#	34#	\$ 160
ACCESSORY				
380-057A	Bolt-on End Panels	63#	63#	\$ 186
380-166A	3rd Function Valve Kit - Kubota MX4700/4800/5100/5200/5800		20#	\$ 849
380-311A	3rd Function Valve Kit Flat Face Couplers - Kubota MX5400 & MX6000 with Cab			\$ 1,141
380-312A	3rd Function Valve Kit Flat Face Couplers - Kubota MX5400 & MX6000 with Rops			\$ 984
380-330A	3rd Function Valve Kit Pioneer Couplers - Kubota MX5400 & MX6000 with Cab			\$ 1,125
380-331A	3rd Function Valve Kit Pioneer Couplers - Kubota MX5400 & MX6000 with Rops			\$ 968
380-334A	3rd Function Valve Kit Flat Face Couplers - Kubota MX4600, MX4800, MX5100, MX5200, MX5800			\$ 849

GB25/GBE25 Series Grapple Buckets

RETURN TO INDEX

Up to 135 HP

Material Handling



Closed Height: 57.5"
 Jaw Opening: 84"
 Bucket: 3/16" Grade 50 High Strength Steel
 Tines: 90" and 96": 4, 108": 5
 Tine Spacing: Bolt-on, Adjustable
 Tine Material: Ductile Iron Tine with Reinforced Gussets
 Cylinders: Dual 3" x 14" x 1 1/2" rod, 3,500 PSI
 Bucket Capacity (Struck):
 90" 1.00 cu yd; 96" 1.07 cu yd; 108" 1.18 cu yd
 Optional Bolt On Cutting Edge
 Optional Counter Balance Valve

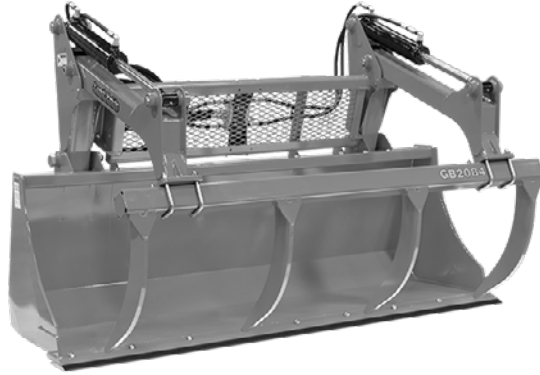
YOU MUST ADD 11% SURCHARGE TO PRICES AS OF 8/4/21

MODEL NUMBER	DESCRIPTION	APPROX. MACHINE WEIGHT	SHIPPING WEIGHT	LIST PRICE
temporarily suspended GB2590-01	25 SERIES GRAPPLE BUCKET Universal Quick-Attach, 90"	1528#	1626#	\$ 6,481
temporarily suspended GB2596-01	25 SERIES GRAPPLE BUCKET Universal Quick-Attach, 96"	1658#	1780#	\$ 6,577
DELETE -01 AND DEDUCT \$2,912 for 90" or 96" BUCKET ONLY				
temporarily suspended GB25108-01	25 SERIES GRAPPLE BUCKET Universal Quick-Attach Mount, 108"	1792#	1914#	\$ 7,039
DELETE -01 AND DEDUCT \$3,111 for 108" BUCKET ONLY				
temporarily suspended GBE2590-01	25 SERIES GRAPPLE BUCKET Euro Mount, 90"	1610#	1729#	\$ 6,402
temporarily suspended GBE2596-01	25 SERIES GRAPPLE BUCKET Euro Mount, 96"	1648#	1767#	\$ 6,462
DELETE -01 AND DEDUCT \$2,912 for 90" or 96" BUCKET ONLY				
temporarily suspended GBE25108-01	25 SERIES GRAPPLE BUCKET Euro Mount, 108"	1781#	1900#	\$ 6,930
DELETE -01 AND DEDUCT \$3,111 for 108" BUCKET ONLY				
OPTIONS				
-10	90" Bolt On Cutting Edge	82#	82#	\$ 200
-10	96" Bolt On Cutting Edge			\$ 213
-10	108" Bolt On Cutting Edge			\$ 241
-30	Counter Balance Valve			\$ 334
<u>You MUST Choose a Color Option</u>				
-82	Orange			
-85	Black			

GB20 Series Grapple Buckets

[RETURN TO INDEX](#)

Up to 135 HP



Closed Height: 52.5"
 Jaw Opening: 77"
 Bucket: 10 Gauge Grade 80 Steel
 Tines: 4
 Tine Spacing: 23.75"
 Tine Material: 3/4" AR400 with Reinforced Gussets
 Cylinders: Dual 3" x 14" x 1 1/2" rod, 3,500 PSI
 Bucket Capacity (Struck):
 84" .7 cu yd
 Optional Bolt On Cutting Edge
 Optional Counter Balance Valve

Material Handling

YOU MUST ADD 11% SURCHARGE TO PRICES AS OF 8/4/21

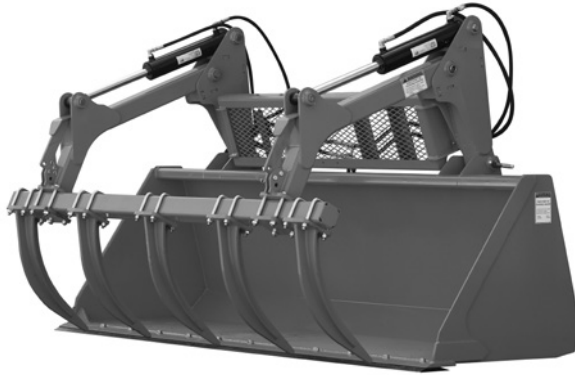
MODEL NUMBER	DESCRIPTION	APPROX. MACHINE WEIGHT	SHIPPING WEIGHT	LIST PRICE
GB2084-01	20 SERIES GRAPPLE BUCKET Universal Quick-Attach, 84"	1088#	1,121#	\$ 5,890
DELETE -01 AND DEDUCT \$2,950 for BUCKET ONLY				
OPTIONS				
-10	84" Bolt On Cutting Edge	76#	76#	\$ 162
-30	Counter Balance Valve	7#	7#	\$ 334
<u>You MUST Choose a Color Option</u>				
-82	Orange			
-85	Black			

GBE30 Series Grapple Buckets

[RETURN TO INDEX](#)

Up to 175 HP

Material Handling



Euro Hitch
 Closed Height: 57.5"
 Jaw Opening: 84"
 Bucket: 3/16" Grade 50 High Strength Steel
 Tines: 96": 4, 108": 5
 Tine Spacing: Bolt-on, Adjustable
 Tine Material: Ductile Iron Tine with Reinforced Gussets
 Cylinders: Dual 3" x 14" x 1 1/2" rod, 3,500 PSI
 Bucket Capacity (Struck):
 96" 1.07 cu yd; 108" 1.18 cu yd
 Standard Bolt On Cutting Edge
 Optional Counter Balance Valve

YOU MUST ADD 11% SURCHARGE TO PRICES AS OF 8/4/21

MODEL NUMBER	DESCRIPTION	APPROX. MACHINE WEIGHT	SHIPPING WEIGHT	LIST PRICE
GBE3096-01	30 SERIES GRAPPLE BUCKET Euro Mount, 96"	1648#	1767#	\$ 7,255
DELETE -01 AND DEDUCT \$3,960 for 90" or 96" BUCKET ONLY				
GBE30108-01	30 SERIES GRAPPLE BUCKET Euro Mount, 108"	1781#	1900#	\$ 7,805
DELETE -01 AND DEDUCT \$4,165 for 108" BUCKET ONLY				
<u>OPTIONS</u>				
-30	Counter Balance Valve			\$ 334
<u>You MUST Choose a Color Option</u>				
-82	Orange			
-85	Black			

3rd Function Valve Kits

RETURN TO INDEX

Material Handling

Part	Description	Tractor	Loader	Price	Model	Hose Kits			
BX Series	380-339A	3FVK FF BX	BX1880, BX2380 & BX2680 ALL MODELS	LA344/LA344S	\$870	BX COMPATIBLE ATTACHMENTS			
			BX235 ALL MODELS	LA340/LA340S					
	380-137A	3FVK PC BX	BX1860 ALL MODELS	LA203	\$832			CB0550	380-338A (3FHK FF 34")
			BX2360 & BX2660 ALL MODELS	LA243				SGC0548	380-338A (3FHK FF 34")
			BX1870 ALL MODELS	LA203A				SGC0554	FLAT FACE COMES WITH A MAIN UNIT
			BX2370 & BX2670 ALL MODELS	LA243A					
	380-337A	3FVK FF BX	BX1860 ALL MODELS	LA203	\$832				
			BX2360 & BX2660 ALL MODELS	LA243					
			BX1870 ALL MODELS	LA203A					
			BX2370 & BX2670 ALL MODELS	LA243A					
			BX25D ALL MODELS	LA240A					

Part	Description	Tractor	Loader	Price	Model	Hose Kits	
B Series	380-354A	3FVK FF B	B2301 & B2601 ALL MODELS	LA434	\$849	SGC0660	380-341A (3FHK FF 34")
			B2301 & B2601 ALL MODELS	LA435		STB1060/72	301-680A (3FHK FF 56")

Part	Description	Tractor	Loader	Price	Model	Hose Kits	
B Series	380-093A	3FVK PC B	B3300 ALL MODELS	LA504	\$821	CB1060	380-150A (3FHK PC 44") 380-332A (3FHK FF 44")
	380-333A	3FVK FF B	B3300 ALL MODELS	LA504		SGC0660	380-150A (3FHK PC 44") 380-332A (3FHK FF 44")
						SGC1060/72	380-150A (3FHK PC 44") 380-332A (3FHK FF 44")
						STB1060/72	301-565A (3FHK PC 66") 301-679A (3FHK FF 66")
						STB1560/72/84/96	301-565A (3FHK PC 66") 301-679A (3FHK FF 66")

Part	Description	Tractor	Loader	Price	Model	Hose Kits	
B Series	380-168A	3FVK PC B	B2650 & B3350 ALL MODELS B3300 ALL MODELS	LA504	\$849	CB1060	380-150A (3FHK PC 44") 380-332A (3FHK FF 44")
	380-335A	3FVK FF B	B2650 & B3350 ALL MODELS B3300 ALL MODELS	LA504		SGC0660	380-150A (3FHK PC 44") 380-332A (3FHK FF 44")
						SGC1060/72	380-150A (3FHK PC 44") 380-332A (3FHK FF 44")
						STB1060/72	301-565A (3FHK PC 66") 301-679A (3FHK FF 66")
						STB1560/72/84/96	301-565A (3FHK PC 66") 301-679A (3FHK FF 66")

*Flat Face couplers are 3/8" and Pioneer Couplers are 1/2"

**3FVK PC = 3rd Function Valve Kit Pioneer Couplers

**3FVK FF = 3rd Function Valve Kit Flat Face Couplers

3rd Function Valve Kits

RETURN TO INDEX

Material Handling

	Part	Description	Tractor	Loader	Price		Model	Hose Kits
LX Series	380-348A	3FVK PC LX	LX MODELS	LA535	\$843	COMPATIBLE ATTACHMENTS	CB1060	380-150A (3FHK PC 44") 380-332A (3FHK FF 44")
	380-344A	3FVK FF LX		LA535			SGC0660	380-150A (3FHK PC 44") 380-332A (3FHK FF 44")
							SGC1060/72	380-150A (3FHK PC 44") 380-332A (3FHK FF 44")
							STB1060/72	301-565A (3FHK PC 66") 301-679A (3FHK FF 66")
							STB1560/72/84/96	301-565A (3FHK PC 66") 301-679A (3FHK FF 66")

	Part	Description	Tractor	Loader	Price		Model	Hose Kits
L Series	380-152A	3FVK PC L	L2501, L3301 & L3901 ALL MODELS	LA525	\$821	L COMPATIBLE ATTACHMENTS		
			L3200 & L3800 ALL MODELS	LA524			CB1060	380-150A (3FHK PC 44") 380-332A (3FHK FF 44")
			L4600 ALL MODELS	LA764			SGC0660	380-150A (3FHK PC 44") 380-332A (3FHK F F 44")
			L4701 ALL MODELS	LA765			SGC1060/72	380-150A (3FHK PC 44") 380-332A (3FHK FF 44")
	380-336A	3FVK FF L	L2501, L3301 & L3901 ALL MODELS	LA525	\$821		STB1060/72	301-565A (3FHK PC 66") 301-679A (3FHK FF 66")
			L3200 & L3800 ALL MODELS	LA524			STB1560/72/84/96	301-565A (3FHK PC 66") 301-679A (3FHK FF 66")
			L4600 ALL MODELS	LA764				
			L4701 ALL MODELS	LA765				
	380-362A	3FVK PC L02	L3302, L3902, ALL MODELS	LA526	\$1029			
	380-363A	3FVK FF L02	L3302, L3902, ALL MODELS	LA526	\$989			

	Part	Description	Tractor	Loader	Price		Model	Hose Kits
MX Series	380-311A	3FVK FF MX CAB	MX5400 & MX6000 WITH CAB	LA1065	\$1141	MX COMPATIBLE ATTACHMENTS		
	380-312A	3FVK FF MX ROPS	MX5400 & MX6000 WITH ROPS	LA1065	\$983			
	380-330A	3FVK PC MX CAB	MX5400 & MX6000 WITH CAB	LA1065	\$1125		SGC1560/72/84	380-150A (3FHK PC 44") 380-332A (3FHK FF 44")
	380-331A	3FVK PC MX ROPS	MX5400 & MX6000 WITH ROPS	LA1065	\$968		SGS1566/78	380-150A (3FHK PC 44") 380-332A (3FHK FF 44")
	380-166A	3FVK PC MX	MX4700 & MX5100 ALL MODELS	LA844	\$848		^SGC1060/72	^380-150A (3FHK PC 44") 380-332A (3FHK FF 44")
			MX4800, MX5200 & MX5800 ALL MODELS	LA1065			STB1560/72/84/96	301-565A (3FHK PC 66") 301-679A (3FHK FF 66")
	380-334A	3FVK FF MX	MX4700 & MX5100 ALL MODELS	LA844	\$848			
MX4800, MX5200 & MX5800 ALL MODELS			LA1065					

^Not performance matched to MX5800 & MX6000

*Flat Face couplers are 3/8" and Pioneer Couplers are 1/2"

**3FVK PC = 3rd Function Valve Kit Pioneer Couplers

**3FVK FF = 3rd Function Valve Kit Flat Face Couplers

HRS30 Series Hydraulic Reservoir System

RETURN TO INDEX

Minimum HP Required: 52 HP • Self Contained



Hitch: Cat 1 & 2 3-Point
 PT0 Input: 540 RPM on Pump, Cat. 2
 Hydraulic Pump Output Capacity: 25 GPM at 3,000 psi
 Reservoir Capacity: 35 Gallon (Not included)
 Reversing Solenoid Valve: Optional
 Manual Reversing Valve: Optional
 Pressure Relief Valve: Optional
 Tank Construction: Steel
 In-line Return Filter: 10 Micron
 Case Drain Port
 HP Requirement: 52 HP for 25 GPM
 Hydraulic Hose & Fittings: Approx 48ft (24 x 2)
 High Quality Hose
 Optional Oil Cooler for No Valve Option

Material Handling

YOU MUST ADD 11% SURCHARGE TO PRICES AS OF 8/4/21

MODEL NUMBER	DESCRIPTION	APPROX. MACHINE WEIGHT	SHIPPING WEIGHT	LIST PRICE
HRS3025-40	HYDRAULIC PUMP & RESERVOIR SYSTEM 540 RPM - 25 GPM with No Valve, with Cooler	385#	415#	\$ 5,917
HRS3025-41	HYDRAULIC PUMP & RESERVOIR SYSTEM 540 RPM - 25 GPM with Manual Valve, with Cooler	392#	422#	\$ 5,982
HRS3025-42	HYDRAULIC PUMP & RESERVOIR SYSTEM 540 RPM - 25 GPM with Solenoid Valve, with Cooler	421#	451#	\$ 6,726
HRS3025-21-43	HYDRAULIC PUMP & RESERVOIR SYSTEM 540 RPM - 25 GPM with Large Flat Face Couplers without Oil Cooler	382#	412#	\$ 4,941
MAY CHOOSE (OPTION 40, 41, 42)				
-20	SMALL FLAT-FACED COUPLERS (Std Flow Ends)	3#	3#	\$ 145
-21	LARGE FLAT-FACED COUPLERS (High Flow Ends)	3#	3#	\$ 236
MAY CHOOSE				
-90	CASE DRAIN KIT W/COUPLERS	15#	15#	\$ 181
-91	CASE DRAIN KIT FOR SOLENOID (Option 42 Only)	15#	15#	\$ 181

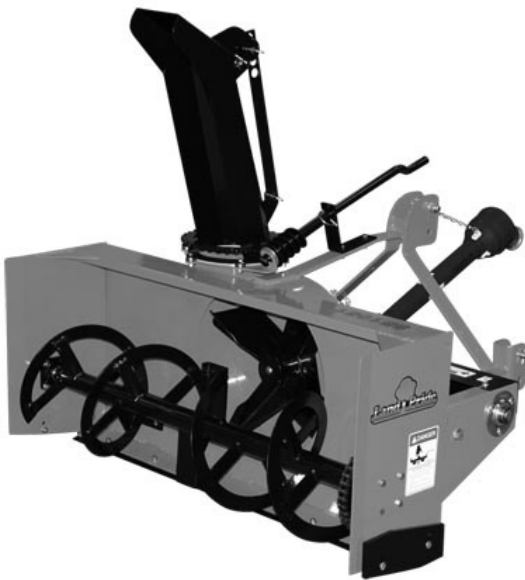
This self contained, 3-point auxiliary hydraulic unit allows you to operate hydraulic driven implements with tractors that do not have high enough GPM flow on their own.

SB10 Series Snow Blowers

RETURN TO INDEX

SB1051: 18-32 HP • SB1064: 18-59 HP

QuickHitch



Working Width: 51", 64"
 Main Housing Material: 12 Gauge
 Telescoping Hitch: Cat 1, QH,
 Side Plate Material: 3/16"
 Impeller Diameter: 20"
 Impeller Housing Depth: 6"
 Impeller Blades: 4
 Auger Diameter: 14"
 Drive Chain: #60
 Auger Paddles: 51: 2; 64: 4
 Chute Opening at Base: 8"
 Chute Rotation: Sprocket Type; Manual, Electric or Hydraulic
 Chute Deflector Operation: Manual, Electric or Hydraulic
 Driveshaft Shear Bolt: Grade 5 - 1/4 x 20
 PTO Driveline: Cat. 2, Shear Bolt
 Optional Wear Edge: Bolt-on, Reversible & Replaceable
 Hardened or Non-Hardened Steel, Full Width
 Optional Skid Shoes:
 Outer: Bolt-on, Adjustable & Replaceable
 Wear Plate: Bolt-on, Replaceable & Reversible
 Button Style: Adjustable & Replaceable, In-board, Rear

Snow Tools

SEE SNOW BLOWER FREIGHT CHART FOR LTL RATES

YOU MUST ADD 11% SURCHARGE TO PRICES AS OF 8/4/21

MODEL NUMBER	DESCRIPTION		APPROX. MACHINE WEIGHT	SHIPPING WEIGHT	LIST PRICE
SB1051-31	10 SERIES - 51" SNOW BLOWER Standard Hitch		378#	496#	\$ 3,208
SB1064-31	10 SERIES - 64" SNOW BLOWER Standard Hitch		491#	546#	\$ 3,667
SB1064-32	10 SERIES - 64" SNOW BLOWER K-Hitch Interface		644#	689#	\$ 3,848
ADD					
OPTION NO.	You MUST Choose a Chute Rotation				
-10	Manual Rotation Adjustment - SB1051	(370-459A)	5#		\$ 102
-10	Manual Rotation Adjustment - SB1064	(370-457A)	9#		\$ 102
-11	Hydraulic Rotation Adjustment	(370-396A)	15#		\$ 598
-12	Electric Rotation Adjustment (You must also select Option 30*)	(370-397A)	12#		\$ 524
You MUST Choose a Chute Deflector					
-20	Manual Deflector Adjustment	(370-030A)	2#		\$ 44
-21	Hydraulic Deflector Adjustment	(370-023A)	17#		\$ 263
-22	Electric Deflector Adjustment (You must also select Option 30*)	(370-029A)	13#		\$ 569
You Must Choose a Wire Harness if Option -12 or -22 is Chosen					
-30	Harness for Electric Tilt Adjustment (use with Option-12 or-22 only)	(370-118A)	4#		\$ 237
You May Choose a Side Skid Option					
-40	Side Plates	(370-106A)	14#		\$ 46
-41	Outer Skid Shoes	(370-115A)	8#		\$ 49
You May Choose a Rear Skid Shoe Option					
-50	Button Style Shoes	(370-105A)	23#		\$ 140
You May Choose a Wear Edge Option					
-60	Hardened Steel Wear Edge - SB1051 Only	(370-107A)	11#		\$ 145
-60	Hardened Steel Wear Edge - SB1064 Only	(370-110A)	14#		\$ 179
-61	Steel Wear Edge - SB1051 Only	(370-442A)	11#		\$ 32
-61	Steel Wear Edge - SB1064 Only	(370-443A)	14#		\$ 42
Color Options (No Option=Buckskin)					
-82	Orange				

* You only need one Option 30 if either or both Electric Rotation and/or Electric Tilt is selected

SB15/SB25 Series Snow Blowers

RETURN TO INDEX

SB15: 30-59 HP • SB25:43-105 HP



Working Width : 74", 84"
 Telescoping Hitch: 74": Cat 1, 84": Cat 1 & 2
 Main Housing Material: 12 Gauge
 Side Plate Material: 3/16"
 Impeller: 24" Diameter
 Impeller Housing Depth: 74: 8", 84: 10"
 Impeller Blades: 4
 Auger: 16" Diameter
 Auger Paddles: 4
 Drive Chain: #60
 Chute Opening at Base: 74: 10", 84: 12"
 Chute Rotation: Sprocket Type; Manual, Electric or Hydraulic
 Chute Deflector Operation: Manual, Electric or Hydraulic
 Driveshaft Shear Bolt: Grade 5 - 1/4 x 20
 PTO Driveline: Cat. 3 Heavy, Shear Bolt
 Optional Wear Edge:
 Bolt-on, Reversible & Replaceable
 Hardened or Non-Hardened Steel, Full Width
 Optional Skid Shoes:
 Outer: Bolt-on, Adjustable & Replaceable
 Wear Plate: Bolt-on, Replaceable & Reversible
 Button Style: Adjustable & Replaceable, In-board, Rear

Snow Tools

SEE SNOW BLOWER FREIGHT CHART FOR LTL RATES

YOU MUST ADD 11% SURCHARGE TO PRICES AS OF 8/4/21

MODEL NUMBER	DESCRIPTION	APPROX. MACHINE WEIGHT	SHIPPING WEIGHT	LIST PRICE
SB1574	15 SERIES - 74" SNOW BLOWER Standard Hitch	629#	754#	\$ 4,322
SB2584	25 SERIES - 84" SNOW BLOWER	751#	864#	\$ 5,130
ADD				
OPTION NO.	You MUST Choose a Chute Adjustment			
-10	Manual Rotation Adjustment (370-457A)	9#	9#	\$ 102
-11	Hydraulic Rotation Adjustment (370-396A)	15#	15#	\$ 598
-12	Electric Rotation Adjustment (370-397A) (You must also select Option 30)*	12#	12#	\$ 524
	You MUST Choose a Chute Deflector Adjustment			
-20	Manual Deflector Adjustment (370-030A)	2#	2#	\$ 44
-21	Hydraulic Deflector Adjustment (370-023A)	17#	17#	\$ 263
-22	Electric Deflector Adjustment (370-029A) (You must also select Option 30)*	13#	13#	\$ 569
	You Must Choose a Wire Harness if Option -12 or 22 is Chosen			
-30	Harness for Electric Chute and/or Tilt Adjustment (370-118A)			\$ 237
	You May Choose a Skid Shoe Option			
-40	Side Plates (370-106A)	14#	14#	\$ 46
-41	Outer Skid Shoes (370-115A)	8#	8#	\$ 49
	You May Choose a Rear Skid Shoe Option			
-50	Button Style Skid Shoes (370-105A)	23#	23#	\$ 140
	You May Choose a Wear Edge Option			
-60	Hardened Steel Wear Edge - SB1574 Only (370-108A)	16#	16#	\$ 214
-60	Hardened Steel Wear Edge - SB2584 Only (370-111A)	18#	18#	\$ 243
-61	Steel Wear Edge - SB1574 Only (370-444A)	16#	16#	\$ 50
-61	Steel Wear Edge - SB2584 Only (370-445A)	18#	18#	\$ 58
	Color Options (No Option=Buckskin)			
-82	Orange			

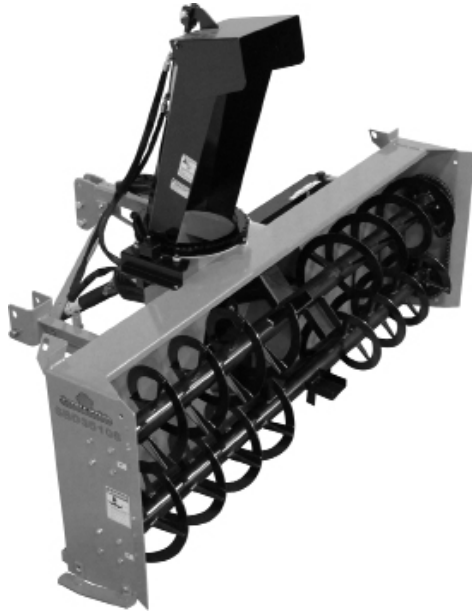
* You only need one Option 30 if either or both Electric Rotation and/or Electric Tilt is selected

SBD35 Series Snow Blowers

RETURN TO INDEX

85-180 HP

Snow Tools



Working Width : 96", 108"
 Hitch: 74": Cat. 2 & 3, Adjustable
 Main Housing Material: 96: 10 Ga.; 108: 3/16"
 Side Plate Material: 1/4"
 Impeller: 34" Diameter
 Impeller Housing Depth: 10"
 Impeller Blades: 4
 Auger: 16" Diameter
 Auger Flighting: 3/8"
 Auger Paddles: 4
 Drive Chain: 96: #60; 108: #80
 Chute Opening at Base: 96: 12"; 108: 15-5/8"
 Chute Rotation: Sprocket Type; Hydraulic
 Chute Deflector Operation: Manual or Hydraulic
 Driveshaft Shear Bolt: Grade 5 - 1/4 x 20
 PTO Driveline: Cat. 5, Shear Bolt
 Cutting Edge:
 Bolt-on, Reversible & Replaceable
 Hardened Steel, Full Width
 Skid Shoes:
 Adjustable & Replaceable

YOU MUST ADD 11% SURCHARGE TO PRICES AS OF 8/4/21

MODEL NUMBER	DESCRIPTION	APPROX. MACHINE WEIGHT	SHIPPING WEIGHT	LIST PRICE
SBD3596	35 SERIES - 96" 3-POINT SNOW BLOWER	1,563#	1,605#	\$ 7,647
SBD35108	35 SERIES - 108" 3-POINT SNOW BLOWER	1,964#	2,008#	\$ 10,707
ADD				
OPTION NO.	Choose a Tilt Adjustment			
-20	Manual Tilt Adjustment	2#	2#	\$ 42
-21	Hydraulic Tilt Adjustment	13#	13#	\$ 310
You MUST Choose a Driveline				
-30	96", 540 RPM, 1-3/8"	48#	48#	\$ 323
-30	108", 540 RPM, 1-3/8"	85#	85#	\$ 869
-31-40	108" 1000 RPM Chain Reducer, 1-3/8" 21 Spline	290#	290#	\$ 3,097
-32-40	108" 1000 RPM Chain Reducer, 1-3/4" 20 Spline	290#	290#	\$ 3,097
You MUST Choose a Skid Shoe Option				
-50	Skid Shoes, Outer, Side Mount	31#	31#	\$ 153
-51	Skid Shoes, Inner, Rear Mount	50#	50#	\$ 216
Color Options (No Option=Buckskin)				
-82	Orange			

temporarily suspended

STB05 Series Snow Trip Blades

RETURN TO INDEX

18-30 HP

Snow Tools



Width: 54", 60"
 Height: 17"
 Moldboard: 12 Gauge, Formed
 24° Left or Right Angle
 Optional Blades:
 1080 Steel: 3/8" x 6", Reversible, Replaceable
 Poly: 1/2" x 6", Reversible, Replaceable
 Replaceable AR400 Skid Shoes
 Universal Quick-Attach
 Optional Single Cylinder

NOT to be used on Skid Steers

YOU MUST ADD 11% SURCHARGE TO PRICES AS OF 8/4/21

MODEL NUMBER	DESCRIPTION		APPROX. MACHINE WEIGHT	SHIPPING WEIGHT	LIST PRICE
STB0554	05 SERIES - 54" SNOW TRIP BLADE		276#	316#	\$ 1,821
STB0560	05 SERIES - 60" SNOW TRIP BLADE		287#	327#	\$ 1,875
ADD					
OPTION NO.	<u>You MUST Choose a Cutting Edge</u>				
-01	Steel Cutting Edge - 54"	(301-694A)	39#	39#	\$ 64
-02	Poly Cutting Edge - 54"	(301-695A)	16#	16#	\$ 118
-01	Steel Cutting Edge - 60"	(301-700A)	39#	39#	\$ 74
-02	Poly Cutting Edge - 60"	(301-487A)	18#	18#	\$ 131
<u>You MAY Choose a Deflector</u>					
-21	Top Rubber Deflector - 54"	(301-696A)	9#	9#	\$ 45
-21	Top Rubber Deflector - 60"	(301-483A)	37#	37#	\$ 49
<u>You MUST Choose Angling Option</u>					
-30	Manual Angle		1#	1#	\$ N/C
-31	Single Cylinder	(301-697A)	13#	13#	\$ 177
<u>You MAY Choose Hose Bundle</u>					
-43	Tractor Hoses, Bulkhead	(301-507A)	2#	2#	\$ 80
<u>You MAY Choose Couplers</u>					
-52	1/2" Pioneer Couplers	(301-508A)	1#	1#	\$ 20
-53	1/4" Pioneer Couplers	(301-509A)	1#	1#	\$ 31
<u>You MAY Choose a Hose Kit for 3rd Function Valve</u>					
-15	Hose Kit for 3rd Function, Flat Face Coupler, 56" (Hoses from Bulkhead to Blade)	(301-680A)	8#	8#	\$ 130
ACCESSORIES					
380-354A	3rd Function Valve Kit - Kubota B2301/2601/2320/2620			25#	\$ 849
380-339A	3rd Function Valve Kit - Kubota BX1880/2380/2680, BX23S			26#	\$ 870

STB10 Series Snow Trip Blades

RETURN TO INDEX

25-40 HP



Width: 60", 72"
 Height: 21"
 Moldboard: 12 Gauge, Formed
 30° Left or Right Angle
 Optional Blades:
 1080 Steel: 1/2" x 6", Reversible, Replaceable
 Poly: 1/2" x 6", Reversible, Replaceable
 Replaceable AR400 Skid Shoes
 Universal Quick-Attach
 Optional Single Cylinder, Dual Cylinder,
 or Dual Cylinder with Cushion Valve

Snow Tools

NOT to be used on Skid Steers

YOU MUST ADD 11% SURCHARGE TO PRICES AS OF 8/4/21

MODEL NUMBER	DESCRIPTION		APPROX. MACHINE WEIGHT	SHIPPING WEIGHT	LIST PRICE
STB1060	10 SERIES - 60" SNOW TRIP BLADE		315#	335#	\$ 2,167
STB1072	10 SERIES - 72" SNOW TRIP BLADE		324#	346#	\$ 2,211
ADD OPTION NO.					
<u>You MUST Choose a Cutting Edge</u>					
-01	Steel Cutting Edge - 60" (301-479A)		52#	52#	\$ 86
-02	Poly Cutting Edge - 60" (301-487A)		63#	63#	\$ 131
-01	Steel Cutting Edge - 72" (301-480A)		62#	62#	\$ 106
-02	Poly Cutting Edge - 72" (301-488A)		76#	76#	\$ 158
<u>You MAY Choose a Deflector</u>					
-21	Top Rubber Deflector - 60" (301-483A)		37#	37#	\$ 49
-21	Top Rubber Deflector - 72" (301-484A)		45#	45#	\$ 57
<u>You MUST Choose Angling Option</u>					
-30	Manual Angle		-	-	\$ N/C
-31	Single Cylinder (301-492A)		19#	19#	\$ 236
-32	Dual Cylinder w/Cushion Valve (301-534A)		48#	48#	\$ 758
-33	Dual Cylinders (301-530A)		41#	41#	\$ 521
<u>You MAY Choose Hose Bundle</u>					
-42	24' Tractor Hoses (301-506A)		10#	10#	\$ 166
-43	Tractor Hoses, Bulkhead (301-507A)		2#	2#	\$ 80
<u>You MAY Choose Couplers</u>					
-52	1/2" Pioneer Couplers (301-508A)		1#	1#	\$ 20
-53	1/4" Pioneer Couplers (301-509A)		1#	1#	\$ 31
<u>You MAY Choose a Hose Kit for 3rd Function Valve</u>					
-12	Hose Kit for 3rd Function, Pioneer Coupler 66" (Hoses from Bulkhead to Blade) (301-565A)		8#	8#	\$ 164
-14	Hose Kit for 3rd Function Flat Face Couplers, 66" (Hoses from Bulkhead to Blade) (301-679A)		8#	8#	\$ 164
-15	Hose Kit for 3rd Function, Flat Face Coupler, 56" (Hoses from Bulkhead to Blade) (301-680A)		8#	8#	\$ 130
ACCESSORIES					
380-093A	3rd Function Valve Kit - Kubota B3300			20#	\$ 821
380-149A	3rd Function Valve Kit - Kubota B2301/2601/2320/2620			25#	\$ 849
380-152A	3rd Function Valve Kit - Kubota L2501/3301/3901/3200/3800			22#	\$ 821
380-168A	3rd Function Valve Kit - Kubota B3350/2650			22#	\$ 849

STB15 Series Snow Trip Blades

RETURN TO INDEX

30-70 HP

Width: 72", 84", 96"
 Height: 27"
 Moldboard: 10 gauge, formed
 30° Left or Right Angle
 Optional Blades:



1080 Steel: 1/2" x 6", reversible, replaceable
 Poly: 1/2" x 6", reversible, replaceable
 Replaceable AR400 Skid Shoes

Universal Skid Hitch
 Optional Dual Cylinder,
 or Dual Cylinder with Cushion Valve
 Built in Lateral Oscillation
 96" Only Available w/Dual Cylinder & Cushion Valve

NOT to be used on Skid Steers

YOU MUST ADD 11% SURCHARGE TO PRICES AS OF 8/4/21

Snow Tools

MODEL NUMBER	DESCRIPTION		APPROX. MACHINE WEIGHT	SHIPPING WEIGHT	LIST PRICE
STB1572	15 SERIES - 72" SNOW TRIP BLADE		500#	521#	\$ 2,684
STB1584	15 SERIES - 84" SNOW TRIP BLADE		518#	539#	\$ 2,780
STB1596	15 SERIES - 96" SNOW TRIP BLADE		536#	557#	\$ 2,878
ADD					
OPTION NO.	You MUST Choose a Cutting Edge				
-01	Steel Cutting Edge - 72"	(301-480A)	62#	62#	\$ 106
-02	Poly Cutting Edge - 72"	(301-488A)	76#	76#	\$ 158
-01	Steel Cutting Edge - 84"	(301-481A)	73#	73#	\$ 124
-02	Poly Cutting Edge - 84"	(301-489A)	88#	88#	\$ 185
-01	Steel Cutting Edge - 96"	(301-482A)	83#	83#	\$ 141
-02	Poly Cutting Edge - 96"	(301-490A)	100#	100#	\$ 213
You MAY Choose a Deflector					
-21	Top Rubber Deflector - 72"	(301-484A)	45#	45#	\$ 57
-21	Top Rubber Deflector - 84"	(301-485A)	53#	53#	\$ 64
-21	Top Rubber Deflector - 96"	(301-486A)	60#	60#	\$ 74
You MUST Choose Angling Option					
-30	Manual Angle (N/A on 96")	(301-535A)	-	-	\$ N/C
-32	Dual Cylinder w/Cushion Valve	(301-463A)	48#	48#	\$ 697
-33	Dual Cylinders (N/A on 96")	(301-531A)	41#	41#	\$ 460
You MAY Choose Hose Bundle					
-42	24' Tractor Hoses	(301-506A)	10#	10#	\$ 166
-43	Tractor Hoses, Bulkhead	(301-507A)	2#	2#	\$ 80
You MAY Choose Couplers					
-52	1/2" Pioneer Couplers	(301-508A)	1#	1#	\$ 20
-53	1/4" Pioneer Couplers	(301-509A)	1#	1#	\$ 31
You MAY Choose a Hose Kit for 3rd Function Valve					
-12	Hose Kit 3FHK 66" Pioneer Couplers (Hoses from Bulkhead to Blade)	(301-565A)	5#	5#	\$ 164
-14	Hose Kit 3FHK 66" Flat Face Couplers (Hose from Bulkhead to Blade)	(301-679A)		8#	\$ 164
ACCESSORIES					
380-093A	3rd Function Valve Kit - Kubota B3300			20#	\$ 821
380-152A	3rd Function Valve Kit - Kubota L2501/3301/3901/3200/3800			22#	\$ 821
380-168A	3rd Function Valve Kit - Kubota B3350/2650			22#	\$ 849
380-166A	3rd Function Valve Kit - Kubota MX4700/4800/5100/5200/5800			20#	\$ 849

SPL05 Series Loader Mount Snow Pushers

RETURN TO INDEX

Up to 28 HP



Width: 48", 60"
 Height: 18"
 Depth: 18"
 Moldboard: 12 Gauge
 Side Panels: 3/16"
 Optional Blades:
 Steel: 4" x 3/8"
 Poly: 6" x 1/2"
 Optional Pullback
 Replaceable Skid Shoes
 BX Hitch
 Orange Only

NOTE: Fits 60 and 70 Series BX Quick-Hitch, 60, 70 and 80 Series BX direct pin-on, and universal quick attach.

Snow Tools

YOU MUST ADD 11% SURCHARGE TO PRICES AS OF 8/4/21

MODEL NUMBER	DESCRIPTION	APPROX. MACHINE WEIGHT	SHIPPING WEIGHT	LIST PRICE
SPL0548-82	05 SERIES LOADER SNOW PUSHER - 48"	147#	167#	\$ 705
ADD OPTION NO.				
-02	Steel Blade - 48"	21#	21#	\$ 85
-03	Poly Blade - 48"	5#	5#	\$ 139
-10	Pullback Assembly - 48"	50#	50#	\$ 163
-71	BX to Universal Hitch Adaptor (303-476A)	24#	24#	\$ 139
-72	BX80 Loader Arm Pin-on Kit (380-296A)	2#	2#	\$ 16
-73	Direct Loader Pin Kit for BX60 & BX70 (380-146A)	2#	2#	\$ 16
SPL0560-82	05 SERIES LOADER SNOW PUSHER - 60"	163#	184#	\$ 748
ADD OPTION NO.				
-02	Steel Blade - 60"	27#	27#	\$ 100
-03	Poly Blade - 60"	18#	18#	\$ 167
-10	Pullback Assembly - 60"	61#	61#	\$ 180
-71	BX to Universal Hitch Adaptor (303-476A)	24#	24#	\$ 139
-72	BX80 Loader Arm Pin-on Kit (380-296A)	2#	2#	\$ 16
-73	Direct Loader Pin Kit for BX60 & BX70 (380-146A)	2#	2#	\$ 22

SPL10 Series Loader Mount Snow Pushers

RETURN TO INDEX

20 - 45 HP



Width: 60", 72", 84"
 Height: 24"
 Depth: 24"
 Moldboard: 10 Gauge
 Side Panels: 1/4"
 Optional Blades:
 Steel: 1/2" x 6", Reversible, Replaceable
 Poly: 1" x 8", Reversible, Replaceable
 Optional Pullback
 Replaceable AR400 Skid Shoes
 Universal Skid Hitch
 Black Only

Snow Tools

NOT to be used on Skid Steers

YOU MUST ADD 11% SURCHARGE TO PRICES AS OF 8/4/21

MODEL NUMBER	DESCRIPTION	APPROX. MACHINE WEIGHT	SHIPPING WEIGHT	LIST PRICE
SPL1060	10 SERIES LOADER SNOW PUSHER - 60"	294#	318#	\$ 1,199
ADD OPTION NO.				
-01	1" Rubber Blade - 60" (303-360A)	27#	27#	\$ 296
-02	Steel Blade - 60" (303-440A)	52#	52#	\$ 121
-10	Pullback Assembly - 60" (303-437A)	104#	104#	\$ 249
SPL1072	10 SERIES LOADER SNOW PUSHER - 72"	315#	338#	\$ 1,254
ADD OPTION NO.				
-01	1" Rubber Blade - 72" (303-354A)	33#	33#	\$ 370
-02	Steel Blade - 72" (303-349A)	62#	62#	\$ 133
-10	Pullback Assembly - 72" (303-438A)	123#	123#	\$ 279
SPL1084	10 SERIES LOADER SNOW PUSHER - 84"	338#	362#	\$ 1,309
ADD OPTION NO.				
-01	1" Rubber Blade - 84" (303-355A)	62#	62#	\$ 430
-02	Steel Blade - 84" (303-350A)	72#	72#	\$ 156
-10	Pullback Assembly - 84" (303-439A)	142#	142#	\$ 309

SSP25 Series Snow Pushers

RETURN TO INDEX

Snow Tools

50-80 HP



Hitch: Quick-Attach
 Working Width: 10', 12'
 Carrier Lift Capacity: Less than 5,000 lbs
 Carrier Max Operating Width: Less than 8,000 lbs
 Moldboard Height: 36"
 Moldboard Thickness: 3/16"
 Side Panels w/Supports: 5/16" Plate
 Blade Depth: 35"
 Replaceable Bottom Wear Edge:
 1-1/2" x 8" Rubber w/Slotted Hole or
 1/2" x 6" 1045 Steel
 Mounting Steps: Serrated, on Hitch
 Skid Shoe: AR400, 1/2" x 4" Reversible, Adjustable
 Optional Pull Back Blade with 1-1/2" x 8" Rubber
 Wear Edge (10' only)

YOU MUST ADD 11% SURCHARGE TO PRICES AS OF 8/4/21

MODEL NUMBER	DESCRIPTION	APPROX. MACHINE WEIGHT	SHIPPING WEIGHT	LIST PRICE
SSP2510	25 SERIES - 10' SNOW PUSHER	954#	1,000#	\$ 3,504
ADD OPTION NO.	You MUST choose a Wear Edge Option			
-01	Rubber Wear Edge	96#		\$ 751
-02	Steel Wear Edge	104#		\$ 218
	You MAY choose Options			
-10	10' Pull Back Blade (303-385A)	357#		\$ 1,368
-11	End Panel Braces (303-408A)	32#		\$ 186
temporarily suspended SSP2512	25 SERIES - 12' SNOW PUSHER	1,065#	1,115#	\$ 3,886
ADD OPTION NO.	You MUST choose a Wear Edge Option			
-01	Rubber Wear Edge	114#		\$ 900
-02	Steel Wear Edge	125#		\$ 261
	You MAY choose			
-11	End Panel Braces (303-408A)	32#		\$ 186
ACCESSORIES				
323-026A	Markers (cannot be used in conjunction with pull back blade)	6#		\$ 53

Snow Tools

	IMPLEMENTS*			DRILLS & NO-TILL SEEDERS**	DH7100 DISC HARROW**
	LP TRUCK	LTL	SNOW- BLOWER LTL		
Alabama	24	30	38	777	998
Arizona	30	36	45	906	1,126
Arkansas	33	35	44	432	513
California	36	38	47	1,260	1,680
Colorado - East of I-25	25	31	39	427	450
Colorado - West of I-25	29	39	49	515	538
Connecticut	37	44	55	1,176	1,662
Delaware	35	48	61	1,186	1,409
Florida Panhandle	32	36	45	960	1,263
Florida	37	41	52	1,140	1,477
Georgia	33	35	44	932	1,264
Idaho	35	37	46	1,186	1,296
Illinois	25	28	35	427	526
Indiana	28	31	39	516	690
Iowa	25	26	33	427	450
Kansas	22	23	29	427	450
Kentucky	25	28	35	553	762
Louisiana	28	41	52	589	767
Maine	37	54	68	1,672	2,082
Maryland	33	40	51	956	1,275
Massachusetts	37	44	55	1,337	1,749
Michigan	28	31	39	754	999
Minnesota	28	30	38	573	698
Mississippi	26	30	38	608	792
Missouri	25	26	33	427	450
Montana	35	43	53	988	1,268
Nebraska	26	28	35	427	450
Nevada	32	36	45	1,059	1,379
New Hampshire	37	41	52	1,350	1,769
New Jersey	35	41	52	1,043	1,385
New Mexico	31	35	44	462	676
New York	35	46	58	1,182	1,538
North Carolina	35	39	49	967	1,435
North Dakota	35	40	51	635	871
Ohio	29	32	40	644	938
Oklahoma	25	26	33	427	450
Oregon	35	44	55	1,394	1,693
Pennsylvania	35	39	49	980	1,267
Rhode Island	37	58	72	1,337	1,727
South Carolina	29	36	45	950	1,281
South Dakota	28	31	39	462	520
Tennessee	28	37	46	562	910
Texas	28	30	38	515	715
Utah	35	37	46	729	968
Vermont	37	53	67	1,417	1,674
Virginia	29	40	51	937	1,254
W. Virginia	30	39	49	779	1,061
Washington	37	45	56	1,343	1,378
Wisconsin	28	33	41	626	726
Wyoming	33	45	56	561	817

Minimum charge of \$120 applies to LTL shipments. For CPUs, specific product locations are noted on Page 2.

ABILENE PLANT

1100 NW 8th
Abilene, KS 67410

ABILENE WEST PLANT

2150 NW 8th
Abilene, KS 67410

LUCAS PLANT

240 S Greeley
Lucas, KS 67648

KIPP PLANT

244 N Hugh
Kipp, KS 67401

SALINA PLANT

601 Idlewilde
Salina, KS 67401

TIPTON PLANT

607 Main St.
Tipton, KS 67485

ELLSWORTH PLANT

910 E. 8th St.
Ellsworth, KS 67439

*All Rates per 100 lbs. (CWT)

** Drills, NTS & DH7100 are Flat Rate



P.O. Box 5060 • Salina, KS 67402-5060 • (888) 987-7433 • www.landpride.com